

# Catalog and Price List

Specification Drainage Products



Effective January 8, 2024

All prices supersede previous issues, are temporary and subject to change without notice.

# Drainage Products Standards



**American National Standards Institute (ANSI)**  
**American Society of Sanitary Engineering (ASSE)**  
**Plumbing & Drainage Institute (PDI)**  
**International Association of Plumbing and Mechanical Officials (IAPMO)**

Product Group	ANSI	ASSE	PDI	IAPMO
Fixture Carriers	A112.6.1M-97			A112.6.1M-97
Floor Drains	A112.6.3-01			A112.6.3-01
Floor Sinks	A112.6.7-2001			A112.6.7-2001
Roof Drains	A112.6.4-2003			A112.6.4-2003
Wall Hydrants		1019-2004		1019-2004
Water Hammer Arrestors		1010-04	WH-201	1010-04
Cleanouts	A112-36.2M-91			A112-36.2M-91
Trap Seal Primers		1018-2001		1018-2001
Grease Interceptors	A112.14.3-2000		G-101	A112.14.3-2000
Solids Interceptors				IGC167-2011

**Watts**  
**Drainage Products Division**  
 100 Watts Road  
 Spindale, NC. 28160  
 Fax: 828-248-3929

*Call Toll-Free:*  
**1-800-338-2581**

**PL-WD Table of Contents**

**Floor & Area Drains** ..... 5-55, 59-68

**Parking Deck Drains** .....56-58

**Sanitary Floor Sinks** .....69-81

**Dead Level® Trench Drains**.....82-96

**Green Roof Drains**.....97-106

**Roof Drains** ..... 107-130

**Interceptors** ..... 131-152

**Cleanouts** ..... 153-179

**Hydrants**..... 180-188

**Specialties**..... 189-198

**Fixture Carriers**..... 199-245

**Common Suffixes**

**Numeric Suffixes**

Code	Description
-1	Nickel Bronze
-3	Stainless Steel
-4	Ductile Iron
-5	Sediment Bucket
-6	Vandal Proof
-7	Trap Primer Tapping
-8	Ball Float Backwater Valve
-9	Hinged Grate
-13	Galvanized
-14	Flat Grate
-15	Strainer Extension

Code	Description
-21	Secondary Strainer
-28	All Type 304 Stainless Steel
-33	Less Grate
-34	Closure Plug
-38	Solids Retaining Baffle
-81	Bronze Dome
-83	SS Screen
-88	Wall Clamp
-128	Grate w/Center Opening
-150	Half Grate
-175	3/4 Grate

**Alpha Suffixes**

Code	Description
-A	45 Degree Outlet
-A	Accutrol Flow Restrictor
-AL	Aluminum Cover
-B	Sump Receiver
-C	Membrane Clamp
-CF	Carpet Clamping Flange
-D	Deck Clamp
-DS	Dome Strainer
-E	Extension
-F	Deck Flange
-F4-1	4" Round NB Funnel
-F4-50	4" Round Cast Iron Funnel
-F6-1	6" Round NB Funnel
-FC	Flange & Clamp
-G-1	4" x 9" Oval NB Funnel
-G-50	4" x 9" Oval C.I. Funnel
-GSS	SS Ballast Guard
-HD	Heavy Duty
-HS	Hub & Spigot
-K	Cylinder Lock
-K	Ductile Iron Dome
-K13	Galvanized Dome
-K40	Ductile Iron Low Dome

Code	Description
-K80	Aluminum Dome
-K81	Bronze Dome
-K83	SS Screen Dome
-L	Vandal Proof
-M1	Extended Nipple
-M11	Tiling Frame
-M20	Flush Valve Support
-M23	Right Side Inlet
-M24	Left Side Inlet
-M54	2" Escutcheons
-M55	4" Escutcheons
-M60	Flush Valve Support
-O	Non-Standard Inlet/Outlet
-Q	Special
-R	External Water Dam
-S0	Side Outlet
-SS	Stainless Steel
-TG	Top Grate
-US	Buy American Compliant
-VB	Vacuum Breaker
-W	4" Internal Water Dam
-W2	2" Internal Water Dam
-Y	Fixed Top

**Outlet Description**

**Note: All Drainage products are supplied with NH (No Hub) connections standard unless otherwise indicated.**

Code	Description
-P	Push-On
-T or -THD	IPS Threaded
-X	Inside Caulk
-60	PVC Socket
-61	ABS Socket

**NOTICE**

The information contained herein is not intended to replace the full product installation and safety information available or the experience of a trained product installer. You are required to thoroughly read all installation instructions and product safety information before beginning the installation of this product.



Consult factory for all applications outside of listed parameters. Prices do not include applicable taxes.

## Terms & Conditions

### FREIGHT TERMS:

Shipments from the factory of less than \$5,000.00 net are F.O.B. factory. Factory shipments over \$5,000.00 net will be prepaid and allowed within the continental United States when made at the lowest motor carrier transportation rate.

### TERMS OF SALE:

All sales are F.O.B. shipping point.

### PAYMENT TERMS:

Invoices are due and payable 30 days from the date of invoice.

### STOCKING WHOLESALE MINIMUM CHARGE:

A minimum billing charge of \$75.00 applies to shipments F.O.B. factory. Stocking Wholesaler Customers are encouraged to order sufficient material to avoid this charge which is necessitated by increased costs of processing small orders.

### SPECIAL PRODUCTS:

Orders for special or modified products are non-cancelable and non-returnable. In the event that the customer cancels an order for such products, Watts shall charge the customer an amount equal to Watts' costs and expenses incurred in performing the purchase order prior to receipt of notice of cancellation.

### LIMITED WARRANTY:

**Watts Regulator Co.** (the "Company") warrants each product to be free from defects in material and workmanship under normal usage for a period of one year from the date of original shipment. In the event of such defects within the warranty period, the Company will, at its option, replace or recondition the product without charge.

THE WARRANTY SET FORTH HEREIN IS GIVEN EXPRESSLY AND IS THE ONLY WARRANTY GIVEN BY THE COMPANY WITH RESPECT TO THE PRODUCT. THE COMPANY MAKES NO OTHER WARRANTIES, EXPRESS OR IMPLIED. THE COMPANY HEREBY SPECIFICALLY DISCLAIMS ALL OTHER WARRANTIES, EXPRESS OR IMPLIED, INCLUDING BUT NOT LIMITED TO THE IMPLIED WARRANTIES OF MERCHANTABILITY AND FITNESS FOR A PARTICULAR PURPOSE.

The remedy described in the first paragraph of this warranty shall constitute the sole and exclusive remedy for breach of warranty, and the Company shall not be responsible for any incidental, special or consequential damages, including without limitation, lost profits or the cost of repairing or replacing other property which is damaged if this product does not work properly, other costs resulting from labor charges, delays, vandalism, negligence, fouling caused by foreign material, damage from adverse water conditions, chemical, or any other circumstances over which the Company has no control. This warranty shall be invalidated by any abuse, misuse, misapplication, improper installation or improper maintenance or alteration of the product.

Some States do not allow limitations on how long an implied warranty lasts, and some States do not allow the exclusion or limitation of incidental or consequential damages. Therefore the above limitations may not apply to you. This Limited Warranty gives you specific legal rights, and you may have other rights that vary from State to State. You should consult applicable state laws to determine your rights. SO FAR AS IS CONSISTENT WITH APPLICABLE STATE LAW, ANY IMPLIED WARRANTIES THAT MAY NOT BE DISCLAIMED, INCLUDING THE IMPLIED WARRANTIES OF MERCHANTABILITY AND FITNESS FOR A PARTICULAR PURPOSE, ARE LIMITED IN DURATION TO ONE YEAR FROM THE DATE OF ORIGINAL SHIPMENT.

### RETURNED GOODS RESTOCKING CHARGE:

No material shall be returned without authorization. When credit is issued it will be at the price charged, or prevailing price if lower, less handling charges based on costs of reconditioning, boxing, etc. However, a minimum 25% handling charge will apply. A minimum handling charge of \$35.00 is applied whenever the 25% handling deduction does not total \$35.00. Products which are obsolete or made to special order are not returnable.

### NOTE:

Prices and terms are subject to change without notice and supersede all previous quotations. The right is reserved to change or modify product design or construction without prior notice and without incurring any obligation to make such changes and modifications on products previously or subsequently sold. All dimensions shown in this catalog are subject to manufacturing tolerances.

**WATTS Drainage** reserves the right to modify or change product design or construction without prior notice and without incurring any obligation to make similar changes and modifications to products previously or subsequently sold.

See your **WATTS Drainage** representative for any clarification.

# Examples of WATTS Drainage Alpha/Numeric Suffix System

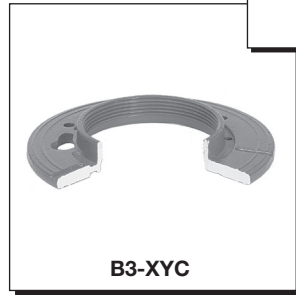
## Floor Drains With Adjustable Strainers

**Components:**

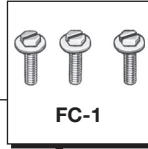


B3 Body, 3" Push-on connection standard with trap primer tapping.

+

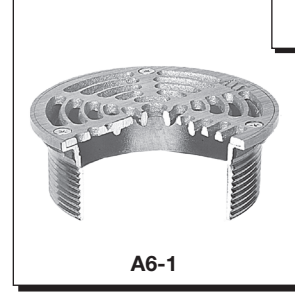


Reversible clamp collar, attached with FC-1 hardware.

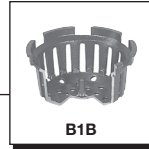


FC-1

+

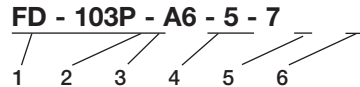


6" diameter nickel bronze strainer standard with vandal proof screws.



B1B

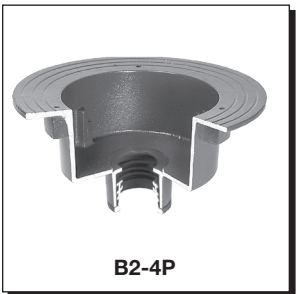
**Alpha/Numeric Description**



- 1. Series Number ..... - FD-100
- 2. Outlet Size..... - 3" Outlet
- 3. Outlet Type..... - Push-On Outlet - Suffix "P"
- 4. Strainer ..... - Type "A6" Strainer.
- 5. Option ..... - Sediment Bucket - Suffix "-5"
- 6. Option ..... - Trap Primer Tapping - Suffix "-7"

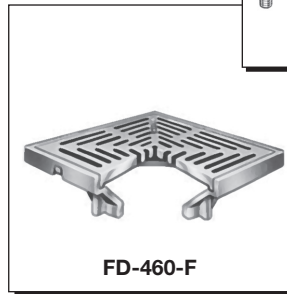
## Area Drains

**Components:**

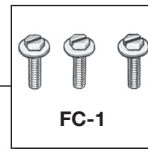


B2 Body, 4" Push-on Connection

+

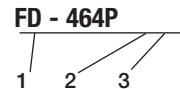


Fixed top assembly with ductile iron grate, attached with FC-1 hardware.



FC-1

**Alpha/Numeric Description**



- 1. Series Number ..... - FD-460-F
- 2. Outlet Size ..... - 4" outlet
- 3. Outlet Type..... - Push-on

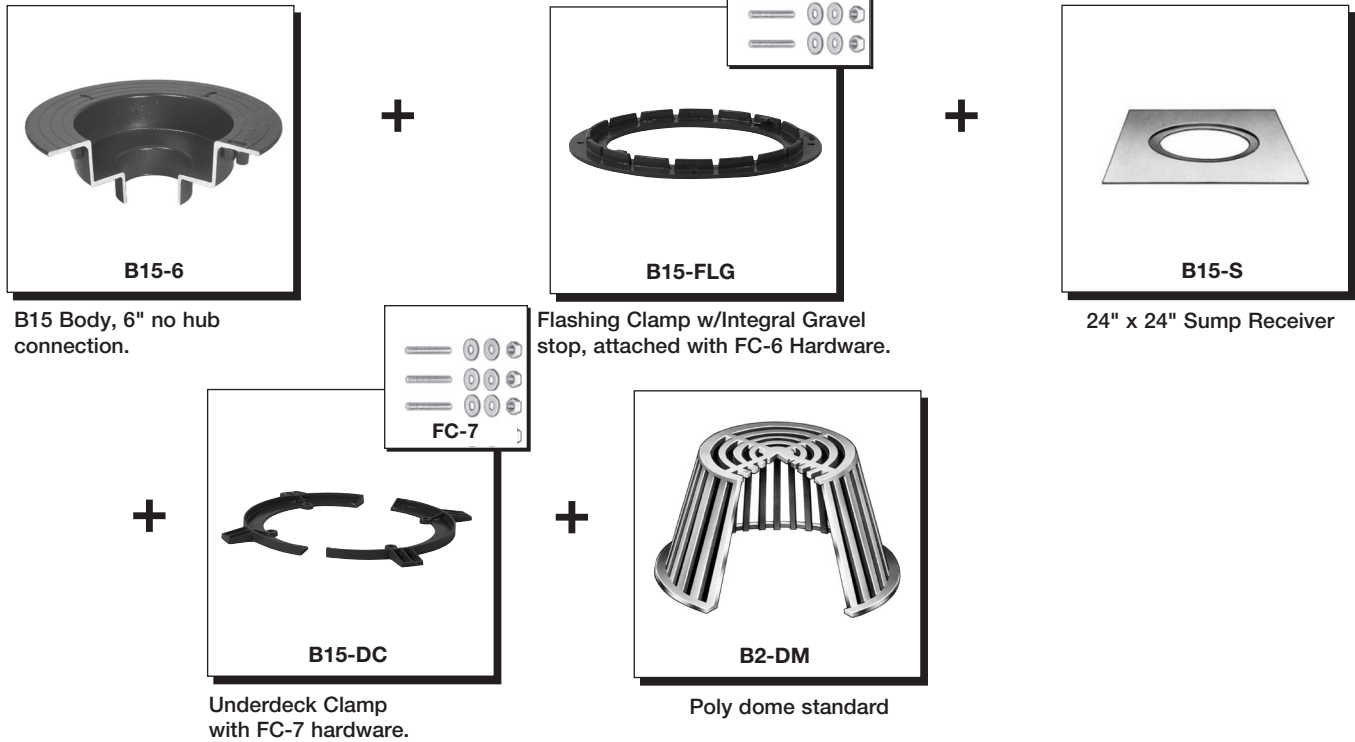


Consult factory for all applications outside of listed parameters.  
Prices do not include applicable taxes.

## Examples of WATTS Drainage Alpha/Numeric Suffix System

### Roof Drains

Components:



Alpha/Numeric Description:

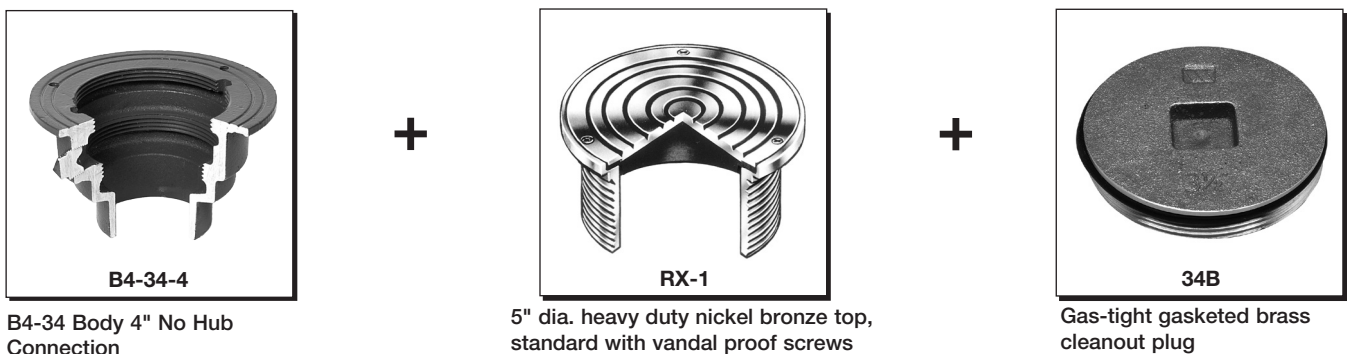
**RD - 306 - B-D**

1
2
3
4
5

- 1. Series Number ..... - RD-300
- 2. Outlet Size..... - 6" Outlet
- 3. Outlet type ..... - (Standard) No Hub
- 4. Option ..... - B Sump Receiver
- 5. Option ..... - D Underdeck Clamp

### Cleanout With Adjustable Top

Components:



Alpha/Numeric Description

**CO - 204 - RX**

1
2
3
4

- 1. Series Number ..... - CO-200
- 2. Outlet Size..... - 4" Outlet
- 3. Outlet Type ..... - (Standard) No Hub
- 4. Top ..... - Type RX strainer

Consult factory for all applications outside of listed parameters.  
Prices do not include applicable taxes.



# Floor And Area Drains

## Table Of Contents

- Pictorial Index
- Recommendations
- Floor Drain Selection Factors
  - Materials
  - Pipe Connections
  - Load Ratings
  - Grate Free Area
  - Design Considerations
  - Commonly Specified Options
- Typical Installations



# Floor And Area Drains

## Pictorial Index



**FD-100-A**  
Round Strainer



**FD-100-B**  
HD Round Strainer



**FD-190-PR**  
Pronto!® Cast Iron Adj. Floor  
Drain w/Integrated Level



**FD-190-PR-60**  
Pronto!® PVC Adj. Floor  
Drain w/Integrated Level



**FD-100-AS**  
Angle Strainer



**FD-100-DD**  
Hub Funnel



**FD-100-EF**  
Round Funnel



**FD-100-EG**  
Oval Funnel



**FD-100-ER**  
Extended Rim Strainer



**FD-100-FC**  
Surface Membrane Clamp



**FD-100-H**  
Elastomeric Flange



**FD-100-K**  
Dome Strainer



**FD-100-L**  
HD Square Strainer



**FD-100-M**  
Square Strainer



**FD-100-RS**  
Rectangular Strainer



**FD-100-VD**  
Solid Hinged Cover

Consult factory for all applications outside of listed parameters.  
Prices do not include applicable taxes.

**WATTS®**



# Floor And Area Drains

## Pictorial Index



**FD-100-VS**  
Square Hinged Solid Cover



**FD-100-WD**  
Domed Standpipe



**FD-200-A**  
Round Strainer



**FD-200-B**  
HD Round Strainer



**FD-290-PR**  
Pronto!® Cast Iron Adj. Floor  
Drain w/Integrated Level



**FD-290-PR-60**  
Pronto!® PVC Adj. Floor  
Drain w/Integrated Level



**FD-200-AS**  
Angle Strainer



**FD-200-DD**  
Hub Funnel



**FD-200-EF**  
Round Funnel



**FD-200-EG**  
Oval Funnel



**FD-200-ER**  
Extended Rim Strainer



**FD-200-FC**  
Surface Membrane Clamp



**FD-200-H**  
Elastomeric Tile Flange



**FD-200-K**  
Dome Strainer



**FD-200-L**  
HD Square Strainer



**FD-200-M**  
Square Strainer



Consult factory for all applications outside of listed parameters.  
Prices do not include applicable taxes.

# Floor And Area Drains

## Pictorial Index



**FD-200-RS**  
Rectangular Strainer



**FD-200-VD**  
Solid Hinged Cover



**FD-200-VS**  
Square Hinged Solid Cover



**FD-200-WD**  
Domed Standpipe



**FD-230-A**  
Combination



**FD-240**  
Prison Cell



**FD-300**  
6-1/2" Adjustable Top



**FD-310**  
6-1/2" Fixed Top



**FD-320**  
8" Adjustable Top



**FD-320-SET**  
8" Adjustable Top



**FD-320-Y**  
8" Fixed Top



**FD-320-Y-SET**  
8" Fixed Top



**FD-330**  
8x8" Adjustable Top



**FD-330-Y**  
8x8" Fixed Top



**FD-340**  
12" Adjustable Top



**FD-340-SET**  
12" Adjustable Top

Consult factory for all applications outside of listed parameters.  
Prices do not include applicable taxes.



# Floor And Area Drains

## Pictorial Index



**FD-340-Y**  
12" Fixed Top



**FD-340-Y-SET**  
12" Fixed Top



**FD-360**  
15" Adjustable Top



**FD-360-Y**  
15" Fixed Top



**FD-370**  
Wood Deck Drain



**FD-380**  
Adjustable Wood Floors



**FD-390-E**  
General Purpose



**FD-390-E-63**  
Fixed Wood Floors



**FD-410**  
Parking Area  
Catch Basin



**FD-430**  
Side Outlet



**FD-450**  
15x15" Adjustable Top



**FD-450-F**  
15x15" Fixed Top



**FD-460**  
12x12" Adjustable Top



**FD-460-F**  
12x12" Fixed Top



**FD-490-F-4**  
Parking Structure



**FD-490-F-80**  
Aluminum Parking  
Structure Heavy Duty



Consult factory for all applications outside of listed parameters.  
Prices do not include applicable taxes.

# Floor And Area Drains

## Pictorial Index



**FD-530**  
Parking Area Drain



**FD-600**  
Unfinished Area Isolation



**FD-620**  
Finished Area Isolation



**FD-660**  
PVC 7" Fixed Top



**FD-670**  
PVC 10" Fixed Top



**FD-810**  
Iowa Garage Drain



**FD-820**  
Flushing Rim



**FD-830**  
Hopper Drain



**FD-850**  
Planting Area Drain with  
Dome Cap



**FD-860**  
8" Planting Area



**FD-870**  
12" Planting Area



**FD-880**  
Ground Water  
Containment Drain



**FD-890**  
Planter Drain with  
Removable Cover



**FD-900**  
12" Precast Parking Deck



**FD-910**  
15" Precast Parking Deck



**FD-920**  
8" Precast Parking Deck

Consult factory for all applications outside of listed parameters.  
Prices do not include applicable taxes.



# Floor And Area Drains

## Pictorial Index



**FD-930**  
Sq. Precast Parking Deck



**FD-1100-A**  
Round SS Strainer



**FD-1100-A-LR**  
Floor Drain w/Ligature  
Resistant Round Strainer



**FD-1100-B**  
HD Round SS Strainer



**FD-1100-ER**  
SS Extended Rim Strainer



**FD-1100-L**  
HD Square SS Strainer



**FD-1100-M**  
Square SS Strainer



**FD-1100-M-LR**  
Floor Drain w/Ligature  
Resistant Square Strainer



**FD-1160**  
Chemical Resistant



**FD-1190-PR**  
Pronto!® Cast Iron Adj. Floor  
Drain w/Integrated Level



**FD-1190-PR-60**  
Pronto!® PVC Adj. Floor  
Drain w/Integrated Level



**FD-1200-A**  
Round SS Strainer



**FD-1200-B**  
HD Round SS Strainer



**FD-1290-PR**  
Pronto!® Cast Iron Adj. Floor  
Drain w/Integrated Level



**FD-1290-PR-60**  
Pronto!® PVC Adj. Floor  
Drain w/Integrated Level



**FD-1200-ER**  
SS Extended Rim Strainer



Consult factory for all applications outside of listed parameters.  
Prices do not include applicable taxes.

# Floor And Area Drains

## Pictorial Index



**FD-1200-L**  
HD Square SS Strainer



**FD-1200-M**  
Square SS Strainer



**TD-300**  
Elevator Trench Drain



**FD-Funnels**  
Bolt-On Funnels

# Floor And Area Drains

## Recommendations

Application	Product
Basement Areas.....	FD-300, FD-310-Y, FD-320(-Y), FD-320(-Y)-SET
Carwash & Sediment Collection Areas.....	FD-410, also see Dead Level® Catch Basins
Clinical & Surgical Areas.....	FD-1100(-28) Series, FD-820, also see BLÜCHER
Condensate & Drip Lines (indirect waste).....	FD-100-DD, FD-100-EF, FD-100-EG, FD-200-DD, FD-200-EF, FD-200-EG
Rubberized Sheet Flooring.....	FD-100-FC, FD-200-FC
Rubberized Poured Flooring.....	FD-100-H, FD-200-H
Floating Slabs.....	FD-600, FD-620
Food Preparation Areas.....	FD-1100 Series, also see Sanitary Floor Sinks
Garage & Service Bays.....	FD-430, FD-450(-F), FD-460(-F), also see Dead Level® Trench Drains
Industrial & Warehouse Areas.....	FD-320(-Y), FD-330(-Y), FD-340(-Y), FD-460(-F)
Outdoor Parking Areas.....	FD-530, also see Dead Level® Trench Drains
Planting Areas.....	FD-850, FD-860, FD-870, FD-880, see also Green Roof Drains
Parking Decks Poured.....	FD-490-F-4
Parking Decks Precast.....	FD-900, FD-910, FD-920, FD-930
Prison Cells.....	FD-240
Sanitary Manufacturing Areas.....	FD-1100, FD-1200 Series, also see BLÜCHER
Shower Areas.....	FD-100, FD-1100 Series
Stairwells.....	FD-100, FD-200 Series
Wood Floors.....	FD-380, FD-390-E-63

## Floor Drain Selection Factors

### Materials

#### Cast Iron Epoxy Coated\*

Industrial grade cast iron, finished with Watts gray acid resistant coating.

*Note: \*Watts Drainage standard epoxy coating is designed for interim protection of iron components during processing, shipping, and construction. It is not intended to protect surfaces subject to traffic, or environmental conditions. Exposed iron surfaces should be expected to show surface oxidation (rusting) after a short period of time.*

#### Nickel Bronze

Nickel Bronze alloy is homogenous, highly resistant to wear, and will not be discolored by weather or traffic. Appearance is silvery, and compliments most interior and exterior finishes.

#### Stainless Steel

In accordance with ASTM A-351-Grade CF8 (Type 304) standard specification. Highly durable and resistant to corrosion.

#### Ductile Iron Epoxy Coated\*

Superior impact resistance and durability compared to standard cast iron. Watts supplies ductile iron drain grates standard, finished with gray acid resistant epoxy coating.

#### PVC or ABS

Most floor and area drains can be specified with optional PVC (-60) or ABS (-61) plastic bodies for direct sch. 40 solvent weld connection.

### Pipe Connections

#### No Hub (Standard)

Butt connection using a no hub or neoprene coupling. Suitable for cast iron, plastic, and most other piping applications.

#### Push-on

ASTM C-564 gasket connection, with pipe stop. Suitable for no hub or service weight cast iron, sch. 40 plastic, and steel pipe. Not recommended for above grade.

#### Inside Caulk (-X)

Used for lead and oakum joints, pipe is inserted through a caulk ring on the drain outlet.

#### PVC (-60) or ABS (-61) Socket

For direct solvent weld connection to sch. 40 plastic pipe.

#### Threaded (THD)

Female threaded outlet for connection to IPS threaded pipe.



Consult factory for all applications outside of listed parameters.  
Prices do not include applicable taxes.

# Floor And Area Drains

## Floor Drain Selection Factors

### Load Ratings

Load ratings are based upon maximum anticipated traffic, in accordance with American National Standards AMSE A112.21.1M. See specification pages for specific load rating data.

**Light Duty (LD)** - safe live load under 2000 lbs.  
**Medium Duty (MD)** - safe live load 2000-4999 lbs.  
**Heavy Duty (HD)** - safe live load 5000-7499 lbs.  
**Extra Heavy Duty (XHD)** - safe live load 7500-10,000 lbs.  
**Special Duty** - safe live load over 10,000 lbs.

### Grate Free Area

Drains should be specified with sufficient grate free area and outlet size to pass anticipated flow. For standard indoor applications, the grate free area should equal 1-1/2 times the transverse area of the connecting pipe. In exterior areas, the grate free area should be twice the transverse area of the connecting pipe.

Recommended Free Area

Pipe Size	Transverse Sq. In.	Interior Free Area Sq. In.	Exterior Free Area Sq. In.
2"	3.14	4.71	6.28
3"	7.06	10.59	14.12
4"	12.50	18.75	25.00
5"	19.60	29.40	39.20
6"	28.30	42.45	56.60
8"	50.25	75.38	100.50

### Design Considerations

#### Finished / Unfinished Areas

Finished area top specifications should be nickel bronze, or optional stainless steel. Ductile iron is typically used in unfinished areas, where appearance is not a primary concern.

#### Fixed / Adjustable Tops

Adjustable top drains enable vertical adjustment of the strainer or top assembly, to more easily match the finished floor level.

#### Heel Proof / ADA Grate Openings

All standard floor and area drains are supplied with heel proof, ADA compliant 5/16" grate openings. Consult product specifications for parking area drain applications.

#### Weep Holes / Double Drainage

All standard floor and area drains are designed with weep holes for "double drainage". Water seeping around the outside of the drain filters through the weepholes, and back into the drain sump. This protects the immediate area surrounding the drain from deterioration.

### Commonly Specified Options

#### -5 Sediment Bucket

Catches large debris at the drain, protects the p-trap from becoming clogged with accumulated debris.

#### -6 Vandal Proof

Grate secured with Allen Head screws. Security screws (Torx & Pin) may be specified for high security applications.

#### -7 Trap Primer Tapping

Plugged 1/2" threaded inlet on drain body, for connection to trap primer valve (see Watts #LFTP300-DR).

#### -8 Backwater Valve (2", 3", 4" Only)

Ball float backwater valve with no hub connections, attaches to drain outlet to prevent back-up damage in low pressure applications.

#### -9 Hinged Grate

Available on select square top drains, provides easy access to sediment buckets or drain lines requiring regular maintenance.

#### -13 Galvanized

Standard zinc galvanizing, commonly specified above grade in highly corrosive coastal environments or industrial areas.

#### -15 Strainer Extension

For FD-100 & FD-200 Series floor drains, extends strainer to accommodate thick slabs and special applications.

#### -21 Secondary Strainer

Fits in bottom of drain body, secondary protection against debris that bypasses sediment bucket.

#### -C Membrane Clamp

Specified in floors with a waterproofing membrane. On most Watts floor and area drains, the waterproofing membrane is clamped between the drain body and bolt-on collar, so a separate membrane clamp is not required.

#### -F4-50, -F4-1, -F6-1 Round Funnels

4" dia. cast iron or nickel bronze, 6" dia. nickel bronze round funnels to accept single condensate lines. Bolt supplied to attach funnel through underside of the grate.

#### -G-50, -G-1 Oval Funnels

4"x9" cast iron or nickel bronze oval funnel, to accept multiple condensate lines. Bolt supplied to attach funnel through underside of the grate

#### -US Buy American Compliant

Product will be supplied with minimum 51% domestic content, in compliance with FAR 52.225-9 Buy American Act

Consult factory for all applications outside of listed parameters.

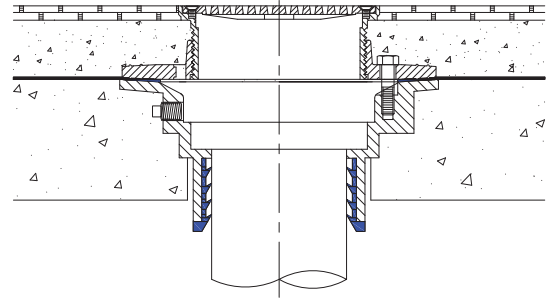
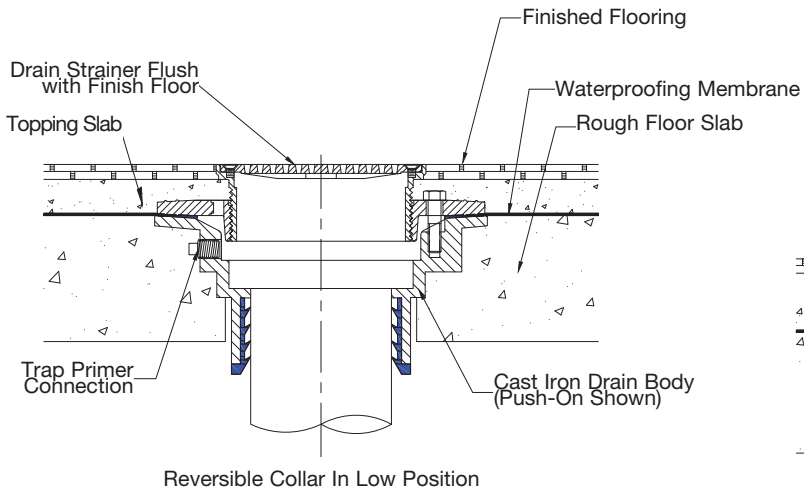
Prices do not include applicable taxes.





# Floor And Area Drains

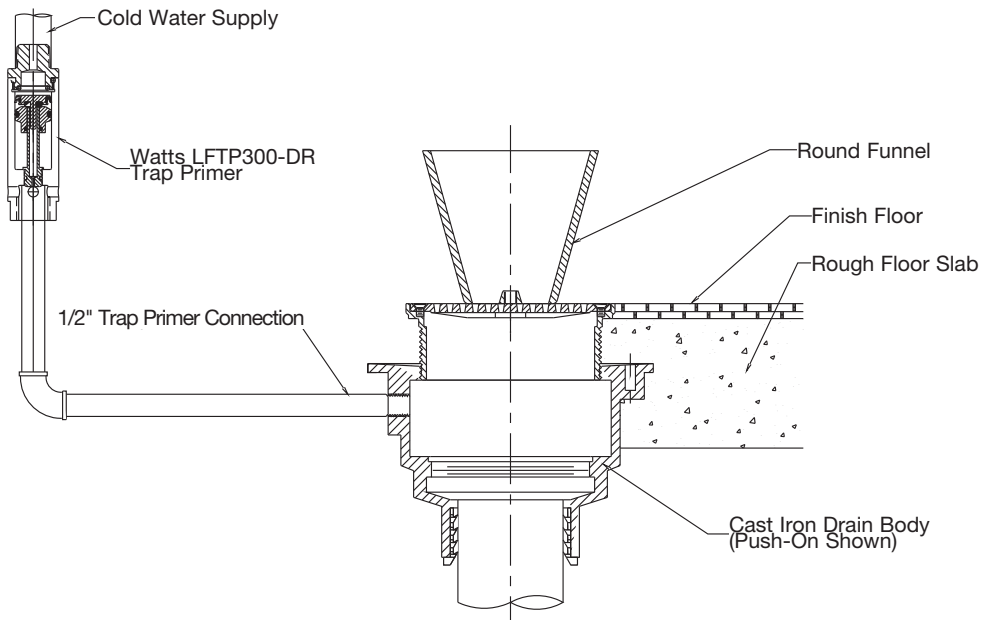
## Typical Installations



### FD-100 SERIES

ADJUSTABLE FLOOR DRAIN ABOVE GRADE

Reversible Collar In High Position



### FD-200 SERIES

ADJUSTABLE FLOOR DRAIN ON GRADE W/TRAP PRIMER

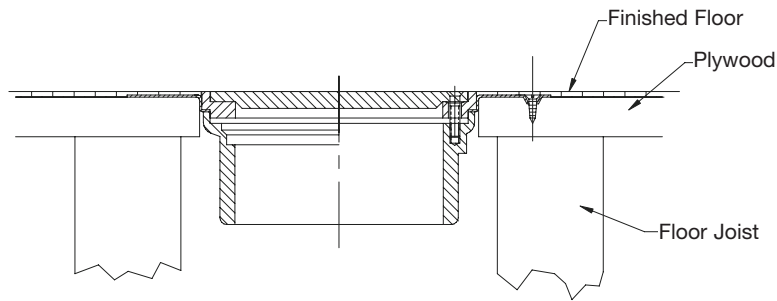
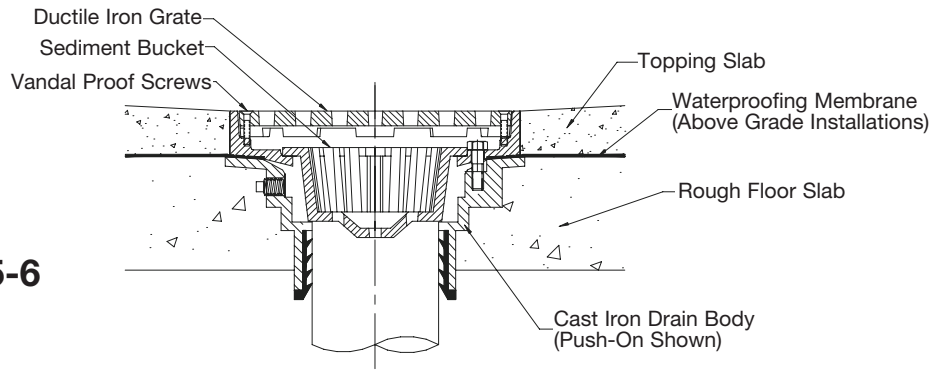


Consult factory for all applications outside of listed parameters.  
Prices do not include applicable taxes.

# Floor And Area Drains

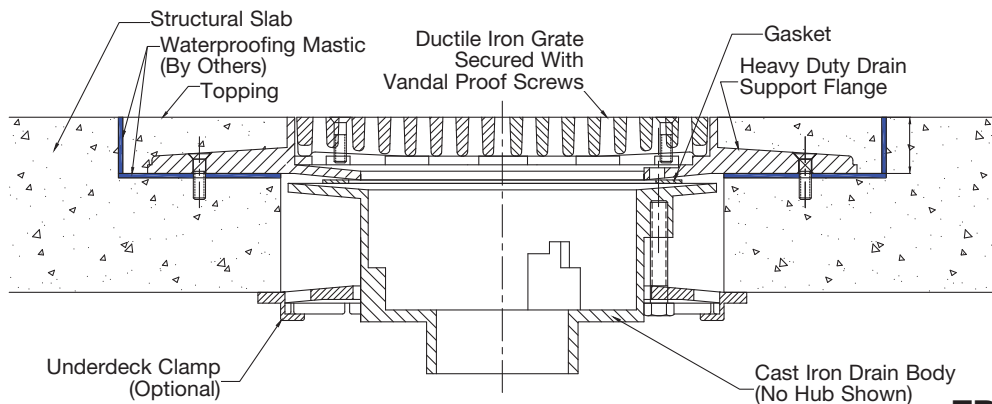
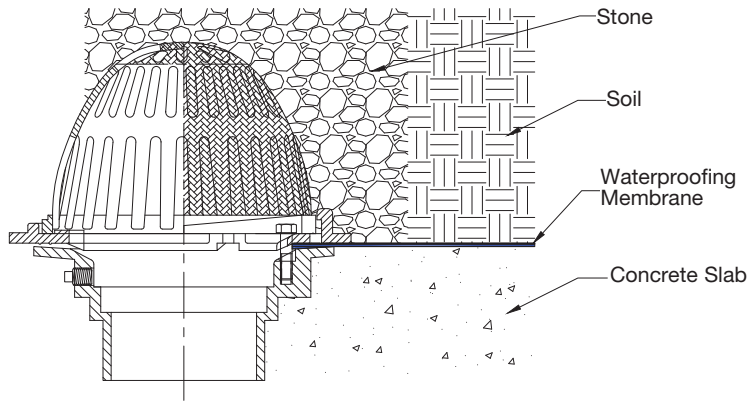
## Typical Installations

**FD-320-Y-5-6**  
AREA DRAIN



**FD-390-E-63**  
WOODEN FLOORS

**FD-860**  
PLANTER AREA



**FD-900**  
PRECAST PARKING DECK

Consult factory for all applications outside of listed parameters.  
Prices do not include applicable taxes.



# Finished Area Floor Drains

## FD-100-A

### Floor Drain with Round Strainer



Model Number	Weight (lbs.)	Str. Size	Pipe Size	Strainer	List Price
FD-102, 3, 4-A5	11	5"	2,3,4"	nickel bronze	\$642.00
FD-102, 3, 4-A6	12.5	6"	2,3,4"	nickel bronze	683.50
FD-102, 3, 4-A7	14	7"	2,3,4"	nickel bronze	789.50
FD-102, 3, 4-A8	16	8"	2,3,4"	nickel bronze	1,123.00
FD-102, 3, 4-A10	21	10"	2,3,4"	nickel bronze	2,381.00

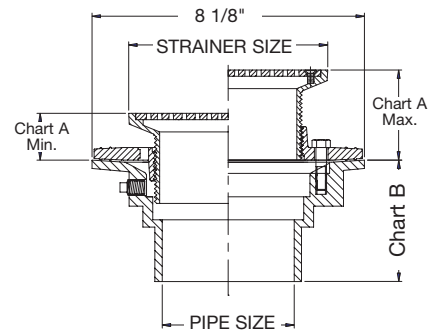


Chart A		
Strainer	Min.	Max.
5"	13/16"	3 1/4"
6"	7/8"	3 3/8"
7"	11/16"	3 1/4"
8"	7/8"	3 1/4"
10"	1 1/4"	3 1/4"

Chart B					
Pipe Size	No Hub	Push On	Female Thread	Inside Caulk	PVC/ABS
2"	3 5/8"	4 1/4"	4 1/4"	4 1/2"	4"
3"	3 5/8"	4 1/4"	4 1/4"	4 1/2"	4"
4"	3 5/8"	4 1/4"	4 1/4"	4 1/2"	4"
6"	3 1/2"	-	-	-	-

## FD-100-B

### Floor Drain with Round Heavy Duty Strainer



Model Number	Wt., Lbs.	Str. Size	Pipe Size	Strainer	List Price
FD-102, 3, 4-B5-4	13	5"	2,3,4"	ductile iron	\$635.50
FD-102, 3, 4-B5	11	5"	2,3,4"	nickel bronze	920.00
FD-102, 3, 4-B6	12.5	6"	2,3,4"	nickel bronze	1,062.00
FD-102, 3, 4-B8	16	8"	2,3,4"	nickel bronze	1,409.00
FD-102, 3, 4-B10	21	10"	2,3,4"	nickel bronze	2,381.00

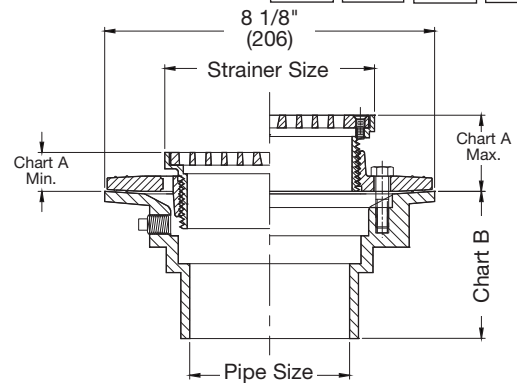


Chart A		
Strainer	Min.	Max.
5"	13/16"	3 1/4"
6"	7/8"	3 3/8"
8"	7/8"	3 1/4"
10"	1 1/4"	3 1/4"

Chart B					
Pipe Size	No Hub	Push On	Female Thread	Inside Caulk	PVC/ABS
2"	3 5/8"	4 1/4"	4 1/4"	4 1/2"	4"
3"	3 5/8"	4 1/4"	4 1/4"	4 1/2"	4"
4"	3 5/8"	4 1/4"	4 1/4"	4 1/2"	4"
6"	3 1/2"	-	-	-	-

### Options for FD-100 Series:

Suffix	Description	List Price	Suffix	Description	List Price
None	No Hub Outlet	No Add	-15	Strainer Extension (DD-50)	\$189.00
P	Push-On Outlet	No Add	-60	PVC Body w/Socket Outlet (2,3,4" Only)	No Add
T	Threaded Outlet	\$108.00	-61	ABS Body w/Socket Outlet (2,3,4" Only)	No Add
X	Inside Caulk	No Add	-F4-50	4" Round Cast Iron Funnel	239.50
None	6" Outlet No Hub Only	161.00	-F4-1	4" Round Nickel Bronze Funnel	571.00
-5	Sediment Bucket	144.50	-F6-1	6" Round Nickel Bronze Funnel	834.50
-6	Vandal Proof	72.75	-G-50	4x9" Oval Cast Iron Funnel	564.50
-7	Trap Primer Tapping	No Add	-G-1	4x9" Oval Nickel Bronze Funnel	1,164.00
-8	Ball Float Backwater Valve (2,3,4" Only)	503.50	-S0	Side Outlet (2,3,4" Only)	292.00
-13	Galvanized Body	261.00			



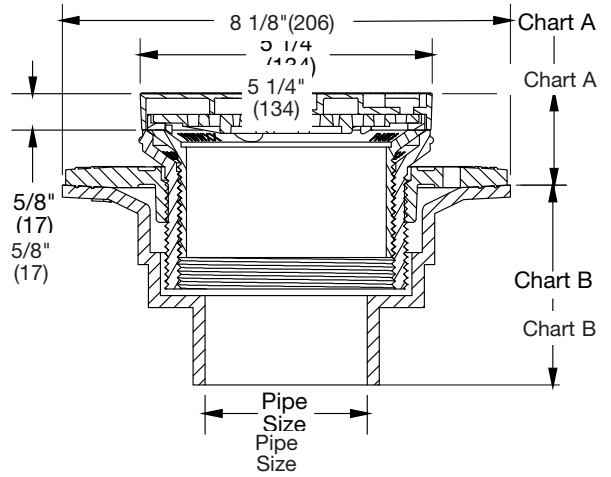
Consult factory for all applications outside of listed parameters.  
Prices do not include applicable taxes.

# Adjustable Floor Drains

FD-190-PR

Pronto!® Cast Iron Adjustable Floor Drain w/Integrated Level

Model Number	Weight Lbs.	Str. Size	Outlet Size	Strainer	List Price
FD-192, 3, 4-PR5	14	5"(127)	2, 3, 4"	nickel bronze	\$778.50
FD-192, 3, 4-PR6	16	6"(152)	2, 3, 4"	nickel bronze	923.50
FD-192, 3, 4-PR7	18	7"(178)	2, 3, 4"	nickel bronze	1,135.00
FD-192, 3, 4-PR8	21	8"(203)	2, 3, 4"	nickel bronze	1,404.00
FD-196-PR5 (NH Only)	14	5"(127)	6"(152)	nickel bronze	1,861.00
FD-196-PR6 (NH Only)	16	6"(152)	6"(152)	nickel bronze	1,861.00
FD-196-PR7 (NH Only)	18	7"(178)	6"(152)	nickel bronze	1,861.00
FD-196-PR8 (NH Only)	21	8"(203)	6"(152)	nickel bronze	1,995.00



**PATENTED**

Chart A

Strainer Size	Min.	Max.	Load Rating	Free Area Sq. In.
5"(127)	1 3/4"(83)	4 1/4"(108)	MD	6 1/16"(154)
6"(152)	1 3/4"(83)	4 1/4"(108)	LD	10 3/4"(273)
7"(178)	1 7/8"(54)	4 3/8"(111)	LD	13 1/4"(337)
8"(203)	2"(51)	4 1/2"(114)	MD	19"(483)

0-7/8" Adj. After Pour

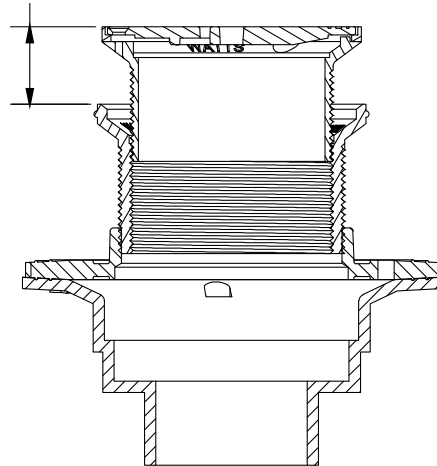


Chart B

Pipe Size	Std. No Hub	P Push On	T Female Thread	X Inside Caulk	60 PVC
2"(51)	3 5/8"(92)	4 1/4"(108)	4 1/4"(108)	4 1/2"(114)	4"(102)
3"(76)	3 5/8"(92)	4 1/4"(108)	4 1/4"(108)	4 1/2"(114)	4"(102)
4"(102)	3 5/8"(92)	4 1/4"(108)	4 1/4"(108)	4 1/2"(114)	4"(102)
6"(152)	3 1/2"(89)				

## Options for FD-190-PR Series

Suffix	Description	List Price	Suffix	Description	List Price
None	No Hub Outlet	No Add	-15	Strainer Extension (DD-50)	\$189.00
P	Push-On Outlet	No Add	-F4-50	4" Round Cast Iron Funnel	239.50
T	Threaded Outlet	\$108.00	-F4-1	4" Round Nickel Bronze Funnel	571.00
X	Inside Caulk	No Add	-F6-1	6" Round Nickel Bronze Funnel	834.50
-7	Trap Primer Tapping	No Add	-G-50	4x9" Oval Cast Iron Funnel	564.50
-8	Ball Float Backwater Valve (2, 3, 4" Only)	503.50	-G-1	4x9" Oval Nickel Bronze Funnel	1,164.00
-13	Galvanized Body	261.00	-S0	Side Outlet (2, 3, 4" Only)	292.00

Consult factory for all applications outside of listed parameters.

Prices do not include applicable taxes.



# Adjustable Floor Drains

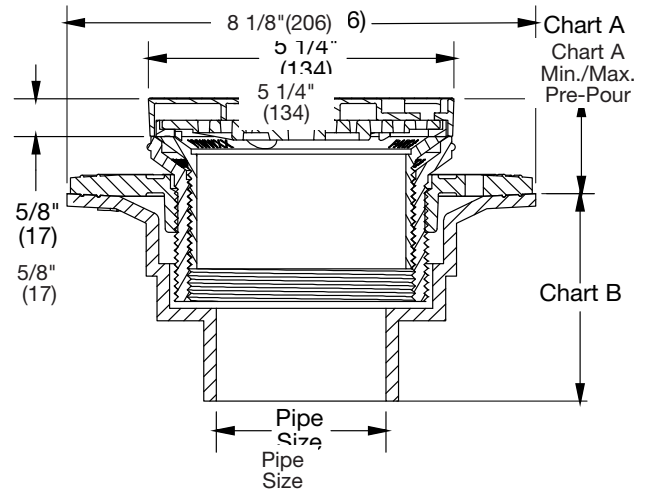
FD-190-PR-60

Pronto!® PVC Adjustable Floor Drain w/Integrated Level

Model Number	Weight Lbs.	Str. Size	Outlet Size	Strainer	List Price
FD-192, 3, 4-PR5-60	5	5"(127)	2, 3, 4"	nickel bronze	\$430.50
FD-192, 3, 4-PR6-60	6	6"(152)	2, 3, 4"	nickel bronze	641.00
FD-192, 3, 4-PR7-60	7	7"(178)	2, 3, 4"	nickel bronze	723.00
FD-192, 3, 4-PR8-60	8	8"(203)	2, 3, 4"	nickel bronze	790.50



**PATENTED**



0-7/8" Adj. Post-Pour

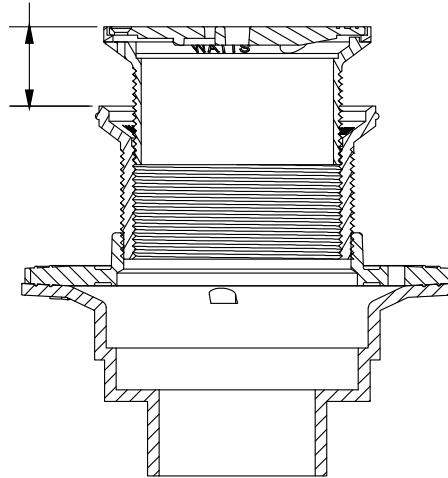


Chart A

Strainer Size	Min.	Max.	Load Rating	Free Area Sq. In.
5"(127)	2 1/2"(64)	4 1/4"(108)	MD	6 1/16"(154)
6"(152)	2 1/2"(64)	4 1/4"(108)	LD	10 3/4"(273)
7"(178)	2 5/8"(67)	4 3/8"(111)	LD	13 1/4"(337)
8"(203)	2 3/4"(70)	4 1/2"(114)	MD	19"(483)

Chart B

Pipe Size	60 PVC
2"(51)	4"(102)
3"(76)	4"(102)
4"(102)	4"(102)

## Options for FD-190-PR-60 Series:

Suffix	Description	List Price	Suffix	Description	List Price
-7	Trap Primer Tapping	No Add	-15	Strainer Extension (DD-50)	\$189.00
-8	Ball Float Backwater Valve	\$503.50	-G-1	4x9"Oval Nickel Bronze Funnel	1,164.00
-61	ABS Body w/Socket Outlet	135.00			
-F4-50	4" Round Cast Iron Funnel	239.50			
-F4-1	4" Round Nickel Bronze Funnel	571.00			
-F6-1	6" Round Nickel Bronze Funnel	834.50			
-G-50	4x9" Oval Cast Iron Funnel	564.50			



Consult factory for all applications outside of listed parameters.  
Prices do not include applicable taxes.

# Finished Area Floor Drains

## FD-100-AS

### Floor Drain with Angle Strainer



Model Number	Wt., Lbs.	Str. Size	Outlet Size	Strainer	List Price
FD-102, 3, 4-AS	15	5"x4"	2,3,4"	nickel bronze	\$2,606.00

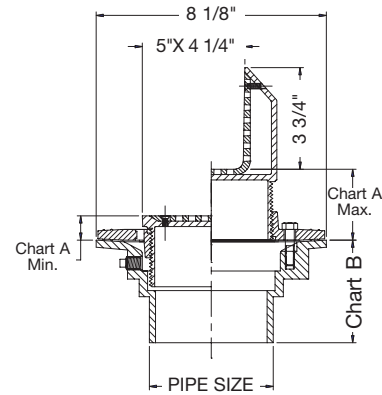


Chart A	
Min.	Max.
13/16"	3 1/4"

Chart B					
Pipe Size	No Hub	Push On	Female Thread	Inside Caulk	PVC/ABS
2"	3 5/8"	4 1/4"	4 1/4"	4 1/2"	4"
3"	3 5/8"	4 1/4"	4 1/4"	4 1/2"	4"
4"	3 5/8"	4 1/4"	4 1/4"	4 1/2"	4"
6"	3 1/2"	-	-	-	-

## FD-100-DD

### Floor Drain with Hub Funnel



Model Number	Weight (Lbs.)	Outlet Size	Strainer	List Price
FD-102, 3, 4-DD-50	7	2,3,4"	cast iron	\$605.00
FD-102, 3,4-DD-1	7	2,3,4"	nickel bronze	994.00

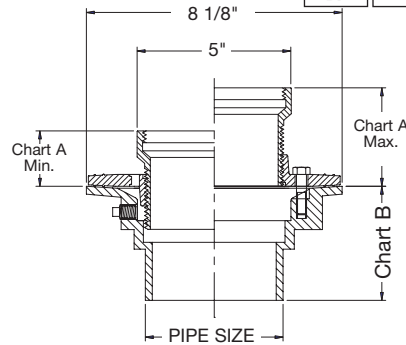


Chart A	
Min.	Max.
1"	2 3/4"

Chart B					
Pipe Size	No Hub	Push On	Female Thread	Inside Caulk	PVC/ABS
2"	3 5/8"	4 1/4"	4 1/4"	4 1/2"	4"
3"	3 5/8"	4 1/4"	4 1/4"	4 1/2"	4"
4"	3 5/8"	4 1/4"	4 1/4"	4 1/2"	4"
6"	3 1/2"	-	-	-	-

### Options for FD-100 Series:

Suffix	Description	List Price	Suffix	Description	List Price
None	No Hub Outlet	No Add	-15	Strainer Extension (DD-50)	\$189.00
P	Push-On Outlet	No Add	-60	PVC Body w/Socket Outlet (2,3,4" Only)	No Add
T	Threaded Outlet	\$108.00	-61	ABS Body w/Socket Outlet (2,3,4" Only)	No Add
X	Inside Caulk	No Add	-F4-50	4" Round Cast Iron Funnel	239.50
None	6" Outlet No Hub Only	161.00	-F4-1	4" Round Nickel Bronze Funnel	571.00
-5	Sediment Bucket	144.50	-F6-1	6" Round Nickel Bronze Funnel	834.50
-6	Vandal Proof	72.75	-G-50	4x9" Oval Cast Iron Funnel	564.50
-7	Trap Primer Tapping	No Add	-G-1	4x9" Oval Nickel Bronze Funnel	1,164.00
-8	Ball Float Backwater Valve (2,3,4" Only)	503.50	-S0	Side Outlet (2,3,4" Only)	292.00
-13	Galvanized Body	261.00			

Consult factory for all applications outside of listed parameters.

Prices do not include applicable taxes.



# Finished Area Floor Drains

## FD-100-EF

### Floor Drain with Round Funnel



Model Number	Weight (lbs.)	Str. Size	Outlet Size	Funnel	List Price
FD-102, 3, 4-EF-1	9	5"	2,3,4"	nickel bronze	\$1,213.00
FD-102, 3, 4-EF-50	10	5"	2,3,4"	cast iron	879.50

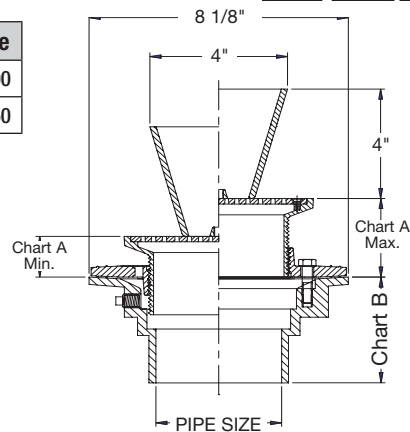


Chart A		
Strainer Dia.	Min.	Max.
5"	7/8"	3 1/4"

Chart B					
Pipe Size	No Hub	Push On	Female Thread	Inside Caulk	PVC/ABS
2"	3 5/8"	4 1/4"	4 1/4"	4 1/2"	4"
3"	3 5/8"	4 1/4"	4 1/4"	4 1/2"	4"
4"	3 5/8"	4 1/4"	4 1/4"	4 1/2"	4"
6"	3 1/2"	-	-	-	-

## FD-100-EG

### Floor Drain with Oval Funnel



Model Number	Weight (lbs.)	Str. Size	Outlet Size	Funnel	List Price
FD-102, 3, 4-EG-1	10	5"	2,3,4"	nickel bronze	\$1,806.00
FD-102, 3, 4-EG-50	10	5"	2,3,4"	cast iron	1,206.00

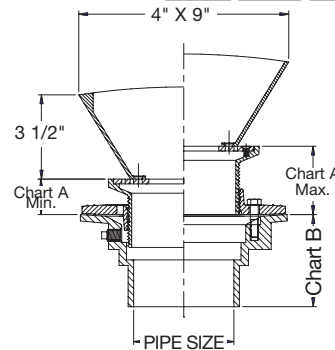


Chart A		
Strainer Dia.	Min.	Max.
5"	7/8"	3 1/4"

Chart B					
Pipe Size	No Hub	Push On	Female Thread	Inside Caulk	PVC/ABS
2"	3 5/8"	4 1/4"	4 1/4"	4 1/2"	4"
3"	3 5/8"	4 1/4"	4 1/4"	4 1/2"	4"
4"	3 5/8"	4 1/4"	4 1/4"	4 1/2"	4"
6"	3 1/2"	-	-	-	-

### Options for FD-100 Series:

Suffix	Description	List Price	Suffix	Description	List Price
None	No Hub Outlet	No Add	-13	Galvanized Body	\$261.00
P	Push-On Outlet	No Add	-15	Strainer Extension (DD-50)	210.00
T	Threaded Outlet	\$108.00	-60	PVC Body w/Socket Outlet (2, 3, 4" Only)	No Add
X	Inside Caulk	No Add	-61	ABS Body w/Socket Outlet (2, 3, 4" Only)	No Add
None	6" Outlet No Hub Only	161.00	-F6-1	6" Round Nickel Bronze Funnel	834.50
-5	Sediment Bucket	144.50	-S0	Side Outlet (2, 3, 4" Only)	292.00
-6	Vandal Proof	72.75			
-7	Trap Primer Tapping	No Add			
-8	Ball Float Backwater Valve (2,3,4" Only)	503.50			



Consult factory for all applications outside of listed parameters.  
Prices do not include applicable taxes.

# Finished Area Floor Drains

## FD-100-ER Floor Drain with Extended Rim Strainer

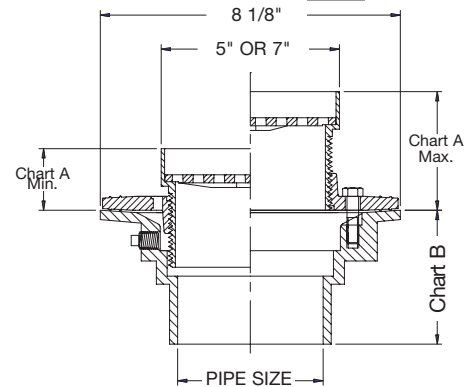


Model Number	Weight (lbs.)	Str. Size	Outlet Size	Strainer	List Price
FD-102, 3, 4-ER5	11	5"	2,3,4"	nickel bronze	\$1,385.00
FD-102, 3, 4-ER7	12	7"	2,3,4"	nickel bronze	1,489.00
FD-102, 3, 4-ER9	13	9"	2,3,4"	nickel bronze	2,088.00



Chart A		
Strainer Dia.	Min.	Max.
5"	1 1/2"	4"
7"	2 1/2"	4"
9"	2 1/2"	4"

Chart B					
Pipe Size	No Hub	Push On	Female Thread	Inside Caulk	PVC/ABS
2"	3 5/8"	4 1/4"	4 1/4"	4 1/2"	4"
3"	3 5/8"	4 1/4"	4 1/4"	4 1/2"	4"
4"	3 5/8"	4 1/4"	4 1/4"	4 1/2"	4"
6"	3 1/2"	-	-	-	-



## FD-100-FC Floor Drain with Surface Membrane Clamp

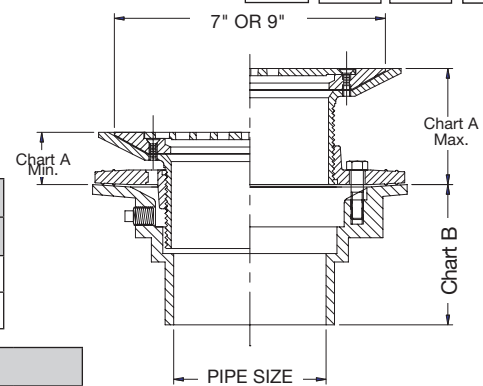


Model Number	Weight (lbs.)	Str. Size	Outlet Size	Strainer	List Price
FD-102, 3, 4-FC7	15	7"	2,3,4"	nickel bronze	\$1,973.00
FD-102, 3, 4-FC9	18	9"	2,3,4"	nickel bronze	2,702.00



Chart A		
Strainer Dia.	Min.	Max.
7"	2 1/4"	3 3/4"
9"	2 1/4"	3 3/4"

Chart B					
Pipe Size	No Hub	Push On	Female Thread	Inside Caulk	PVC/ABS
2"	3 5/8"	4 1/4"	4 1/4"	4 1/2"	4"
3"	3 5/8"	4 1/4"	4 1/4"	4 1/2"	4"
4"	3 5/8"	4 1/4"	4 1/4"	4 1/2"	4"
6"	3 1/2"	-	-	-	-



### Options for FD-100 Series:

Suffix	Description	List Price	Suffix	Description	List Price
None	No Hub Outlet	No Add	-15	Strainer Extension (DD-50)	\$189.00
P	Push-On Outlet	No Add	-60	PVC Body w/Socket Outlet (2,3,4" Only)	No Add
T	Threaded Outlet	\$108.00	-61	ABS Body w/Socket Outlet (2,3,4" Only)	No Add
X	Inside Caulk	No Add	-F4-50	4" Round Cast Iron Funnel	239.50
None	6" Outlet No Hub Only	161.00	-F4-1	4" Round Nickel Bronze Funnel	571.00
-5	Sediment Bucket	144.50	-F6-1	6" Round Nickel Bronze Funnel	834.50
-6	Vandal Proof	72.75	-G-50	4x9" Oval Cast Iron Funnel	564.50
-7	Trap Primer Tapping	No Add	-G-1	4x9" Oval Nickel Bronze Funnel	1,164.00
-8	Ball Float Backwater Valve (2,3,4" Only)	503.50	-S0	Side Outlet (2,3,4" Only)	292.00
-13	Galvanized Body	261.00			

Consult factory for all applications outside of listed parameters.

Prices do not include applicable taxes.





# Finished Area Floor Drains

**FD-100-H**

**Floor Drain with Elastomeric Flange**



Model Number	Weight (lbs.)	Str. Size	Outlet Size	Strainer	List Price
FD-102, 3, 4-H	15	6"	2,3,4"	nickel bronze	\$2,017.00

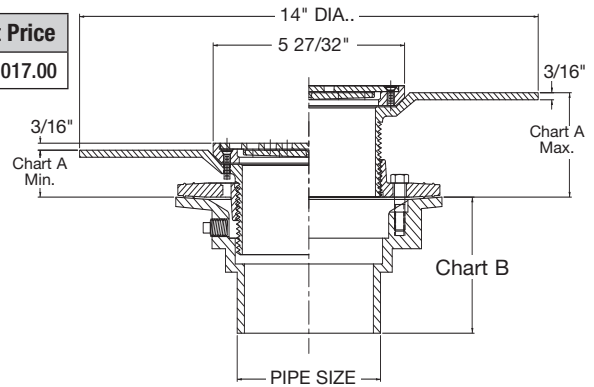


Chart A		
Strainer Dia.	Min.	Max.
6"	7/8"	3 1/4"

Chart B					
Pipe Size	No Hub	Push On	Female Thread	Inside Caulk	PVC/ABS
2"	3 5/8"	4 1/4"	4 1/4"	4 1/2"	4"
3"	3 5/8"	4 1/4"	4 1/4"	4 1/2"	4"
4"	3 5/8"	4 1/4"	4 1/4"	4 1/2"	4"
6"	3 1/2"	-	-	-	-

**FD-100-K**

**Floor Drain with Dome Strainer**

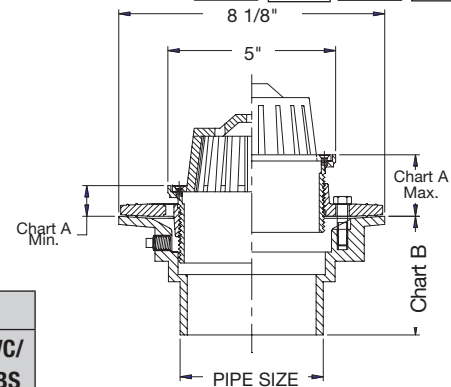


Model Number	Weight (lbs.)	Str. Size	Outlet Size	Strainer	List Price
FD-102, 3, 4-K	11	5" dome	2,3,4"	nickel bronze	\$906.50



Chart A		
Strainer Dia.	Min.	Max.
5"	13/16"	3 1/4"

Chart B					
Pipe Size	No Hub	Push On	Female Thread	Inside Caulk	PVC/ABS
2"	3 5/8"	4 1/4"	4 1/4"	4 1/2"	4"
3"	3 5/8"	4 1/4"	4 1/4"	4 1/2"	4"
4"	3 5/8"	4 1/4"	4 1/4"	4 1/2"	4"
6"	3 1/2"	-	-	-	-



## Options for FD-100 Series:

Suffix	Description	List Price	Suffix	Description	List Price
None	No Hub Outlet	No Add	-15	Strainer Extension (DD-50)	\$189.00
P	Push-On Outlet	No Add	-60	PVC Body w/Socket Outlet (2,3,4" Only)	No Add
T	Threaded Outlet	\$108.00	-61	ABS Body w/Socket Outlet (2,3,4" Only)	No Add
X	Inside Caulk	No Add	-F4-50	4" Round Cast Iron Funnel	239.50
None	6" Outlet No Hub Only	161.00	-F4-1	4" Round Nickel Bronze Funnel	571.00
-5	Sediment Bucket	144.50	-F6-1	6" Round Nickel Bronze Funnel	834.50
-6	Vandal Proof	72.75	-G-50	4x9" Oval Cast Iron Funnel	564.50
-7	Trap Primer Tapping	No Add	-G-1	4x9" Oval Nickel Bronze Funnel	1,164.00
-8	Ball Float Backwater Valve (2,3,4" Only)	503.50	-S0	Side Outlet (2,3,4" Only)	292.00
-13	Galvanized Body	261.00			



Consult factory for all applications outside of listed parameters.  
Prices do not include applicable taxes.

# Finished Area Floor Drains

## FD-100-L

### Floor Drain with Square Heavy Duty Strainer



Model Number	Weight (lbs.)	Str. Size	Outlet Size	Strainer	List Price
FD-102, 3, 4-L5	10	5"x5"	2, 3, 4"	nickel bronze	\$999.00
FD-102, 3, 4-L5-4	11	5"x5"	2, 3, 4"	ductile iron	673.50
FD-102, 3, 4-L6	14	6"x6"	2, 3, 4"	nickel bronze	1,174.00
FD-102, 3, 4-L6-9	14	6"x6"	2, 3, 4"	NB hinged	1,541.00
FD-102, 3, 4-L8	16	8"x8"	2, 3, 4"	nickel bronze	1,652.00
FD-102, 3, 4-L8-9	16	8"x8"	2, 3, 4"	NB hinged	2,020.00

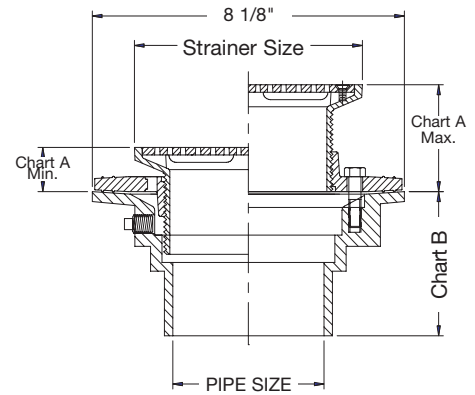


Chart A		
Strainer	Min.	Max.
5"x5"	7/8"	3 1/4"
6"x6"	1"	3 1/4"
8"x8"	1 3/8"	3 5/8"

Chart B					
Pipe Size	No Hub	Push On	Female Thread	Inside Caulk	PVC/ABS
2"	3 5/8"	4 1/4"	4 1/4"	4 1/2"	4"
3"	3 5/8"	4 1/4"	4 1/4"	4 1/2"	4"
4"	3 5/8"	4 1/4"	4 1/4"	4 1/2"	4"
6"	3 1/2"	-	-	-	-

## FD-100-M

### Floor Drain with Square Strainer



Model Number	Weight (lbs.)	Str. Size	Outlet Size	Strainer	List Price
FD-102, 3, 4-M5	10	5"x5"	2, 3, 4"	nickel bronze	\$858.00
FD-102, 3, 4-M6	14	6"x6"	2, 3, 4"	nickel bronze	955.00
FD-102, 3, 4-M6-9	14	6"x6"	2, 3, 4"	NB hinged	1,325.00
FD-102, 3, 4-M8	16	8"x8"	2, 3, 4"	nickel bronze	1,390.00
FD-102, 3, 4-M8-9	16	8"x8"	2, 3, 4"	NB hinged	1,756.00

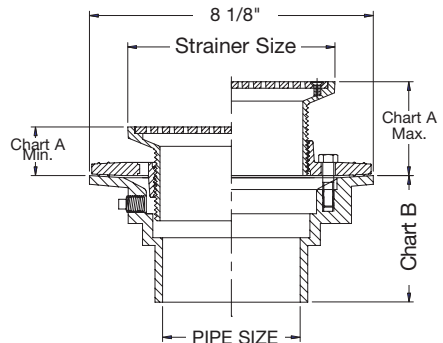


Chart A		
Strainer	Min.	Max.
5"x5"	7/8"	3 1/4"
6"x6"	1"	3 1/4"
8"x8"	1 3/8"	3 5/8"

Chart B					
Pipe Size	No Hub	Push On	Female Thread	Inside Caulk	PVC/ABS
2"	3 5/8"	4 1/4"	4 1/4"	4 1/2"	4"
3"	3 5/8"	4 1/4"	4 1/4"	4 1/2"	4"
4"	3 5/8"	4 1/4"	4 1/4"	4 1/2"	4"
6"	3 1/2"	-	-	-	-

### Options for FD-100 Series:

Suffix	Description	List Price	Suffix	Description	List Price
None	No Hub Outlet	No Add	-15	Strainer Extension (DD-50)	\$189.00
P	Push-On Outlet	No Add	-60	PVC Body w/Socket Outlet (2,3,4" Only)	No Add
T	Threaded Outlet	\$108.00	-61	ABS Body w/Socket Outlet (2,3,4" Only)	No Add
X	Inside Caulk	No Add	-F4-50	4" Round Cast Iron Funnel	239.50
None	6" Outlet No Hub Only	161.00	-F4-1	4" Round Nickel Bronze Funnel	571.00
-5	Sediment Bucket	144.50	-F6-1	6" Round Nickel Bronze Funnel	834.50
-6	Vandal Proof	72.75	-G-50	4x9" Oval Cast Iron Funnel	564.50
-7	Trap Primer Tapping	No Add	-G-1	4x9" Oval Nickel Bronze Funnel	1,164.00
-8	Ball Float Backwater Valve (2,3,4" Only)	503.50	-S0	Side Outlet (2,3,4" Only)	292.00
-13	Galvanized Body	261.00			

Consult factory for all applications outside of listed parameters.

Prices do not include applicable taxes.



# Finished Area Floor Drains

## FD-100-RS

### Floor Drain with Rectangular Strainer

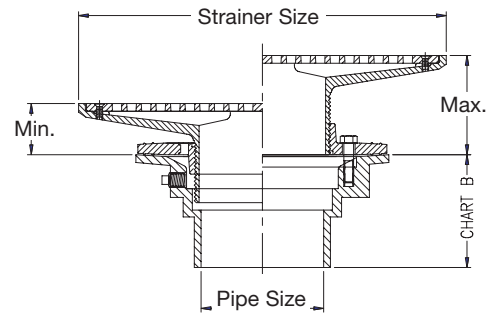


Model Number	Weight (lbs.)	Str. Size	Outlet Size	Strainer	List Price
FD-102, 3, 4-RS48	12	4"x8"	2, 3, 4"	nickel bronze	\$1,409.00
FD-102, 3, 4-RS412	14	4"x12"	2, 3, 4"	nickel bronze	1,701.00
FD-102, 3, 4-RS517	24	5"x17"	2, 3, 4"	nickel bronze	2,034.00



Chart A		
Strainer	Min.	Max.
4"x8"	1 1/2"	3 3/4"
4"x12"	1 1/2"	3 3/4"
5"x17"	2"	4 3/8"

Chart B					
Pipe Size	No Hub	Push On	Female Thread	Inside Caulk	PVC/ABS
2"	3 5/8"	4 1/4"	4 1/4"	4 1/2"	4"
3"	3 5/8"	4 1/4"	4 1/4"	4 1/2"	4"
4"	3 5/8"	4 1/4"	4 1/4"	4 1/2"	4"
6"	3 1/2"	-	-	-	-



## FD-100-VD

### Floor Drain with Round Hinged Solid Cover

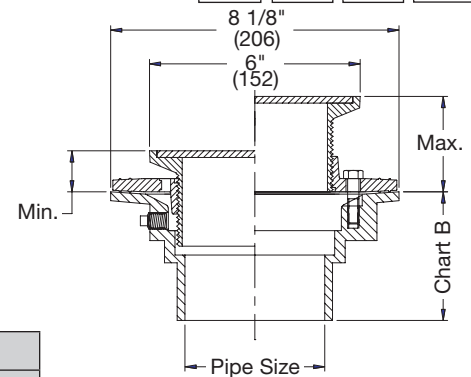


Model Number	Weight (lbs.)	Str. Size	Outlet Size	Strainer	List Price
FD-102, 3, 4-VD	15	6"	2,3,4"	nickel bronze	\$1,159.00



Chart A		
Strainer	Min.	Max.
6"	13/16"	3 1/4"

Chart B					
Pipe Size	No Hub	Push On	Female Thread	Inside Caulk	PVC/ABS
2"	3 5/8"	4 1/4"	4 1/4"	4 1/2"	4"
3"	3 5/8"	4 1/4"	4 1/4"	4 1/2"	4"
4"	3 5/8"	4 1/4"	4 1/4"	4 1/2"	4"
6"	3 1/2"	-	-	-	-



### Options for FD-100 Series:

Suffix	Description	List Price	Suffix	Description	List Price
None	No Hub Outlet	No Add	-15	Strainer Extension (DD-50)	\$189.00
P	Push-On Outlet	No Add	-60	PVC Body w/Socket Outlet (2,3,4" Only)	No Add
T	Threaded Outlet	\$108.00	-61	ABS Body w/Socket Outlet (2,3,4" Only)	No Add
X	Inside Caulk	No Add	-F4-50	4" Round Cast Iron Funnel	239.50
None	6" Outlet No Hub Only	161.00	-F4-1	4" Round Nickel Bronze Funnel	571.00
-5	Sediment Bucket	144.50	-F6-1	6" Round Nickel Bronze Funnel	834.50
-6	Vandal Proof	72.75	-G-50	4x9" Oval Cast Iron Funnel	564.50
-7	Trap Primer Tapping	No Add	-G-1	4x9" Oval Nickel Bronze Funnel	1,164.00
-8	Ball Float Backwater Valve (2,3,4" Only)	503.50	-S0	Side Outlet (2,3,4" Only)	292.00
-13	Galvanized Body	261.00			



Consult factory for all applications outside of listed parameters.  
Prices do not include applicable taxes.

# Finished Area Floor Drains

## FD-100-VS Floor Drain with Square Hinged Solid Cover



Model Number	Weight (lbs.)	Str. Size	Outlet Size	Strainer	List Price
FD-102, 3, 4-VS	15	6"x6 Cover"	2, 3, 4"	nickel bronze	\$1,652.00

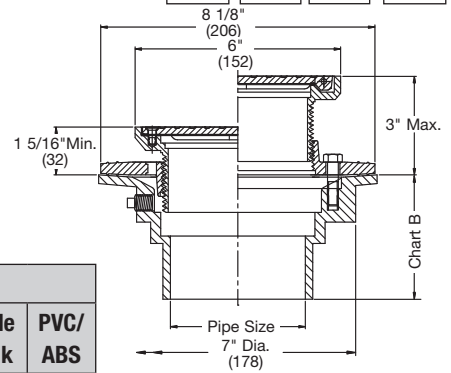


Chart B					
Pipe Size	No Hub	Push On	Female Thread	Inside Caulk	PVC/ABS
2"	3 5/8"	4 1/4"	4 1/4"	4 1/2"	4"
3"	3 5/8"	4 1/4"	4 1/4"	4 1/2"	4"
4"	3 5/8"	4 1/4"	4 1/4"	4 1/2"	4"
6"	3 1/2"	-	-	-	-

## FD-100-WD Floor Drain with Domed Standpipe



Model Number	Weight (lbs.)	Str. Size	Outlet Size	List Price
FD-102, 3, 4-WD	11	Domed Standpipe	2, 3, 4"	\$1,544.00

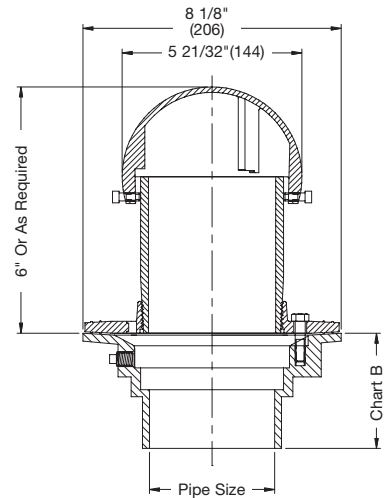


Chart B					
Pipe Size	No Hub	Push On	Female Thread	Inside Caulk	PVC/ABS
2"	3 5/8"	4 1/4"	4 1/4"	4 1/2"	4"
3"	3 5/8"	4 1/4"	4 1/4"	4 1/2"	4"
4"	3 5/8"	4 1/4"	4 1/4"	4 1/2"	4"
6"	3 1/2"	-	-	-	-

### Options for FD-100 Series:

Suffix	Description	List Price	Suffix	Description	List Price
None	No Hub Outlet	No Add	-15	Strainer Extension (DD-50)	\$189.00
P	Push-On Outlet	No Add	-60	PVC Body w/Socket Outlet (2,3,4" Only)	No Add
T	Threaded Outlet	\$108.00	-61	ABS Body w/Socket Outlet (2,3,4" Only)	No Add
X	Inside Caulk	No Add	-F4-50	4" Round Cast Iron Funnel	239.50
None	6" Outlet No Hub Only	161.00	-F4-1	4" Round Nickel Bronze Funnel	571.00
-5	Sediment Bucket	144.50	-F6-1	6" Round Nickel Bronze Funnel	834.50
-6	Vandal Proof	72.75	-G-50	4x9" Oval Cast Iron Funnel	564.50
-7	Trap Primer Tapping	No Add	-G-1	4x9" Oval Nickel Bronze Funnel	1,164.00
-8	Ball Float Backwater Valve (2,3,4" Only)	503.50	-S0	Side Outlet (2,3,4" Only)	292.00
-13	Galvanized Body	261.00			

Consult factory for all applications outside of listed parameters.

Prices do not include applicable taxes.



# On-Grade Finished Area Floor Drains

## FD-200-A

### Floor Drain with Round Strainer



Model Number	Weight (lbs.)	Str. Size	Outlet Size	Strainer	List Price
FD-202, 3, 4-A5	8	5"	2, 3, 4"	nickel bronze	\$573.50
FD-202, 3, 4-A6	9.5	6"	2, 3, 4"	nickel bronze	703.00
FD-202, 3, 4-A7	12	7"	2, 3, 4"	nickel bronze	823.50
FD-202, 3, 4-A8	16	8"	2, 3, 4"	nickel bronze	1,246.00
FD-202, 3, 4-A10	20	10"	2, 3, 4"	nickel bronze	1,557.00

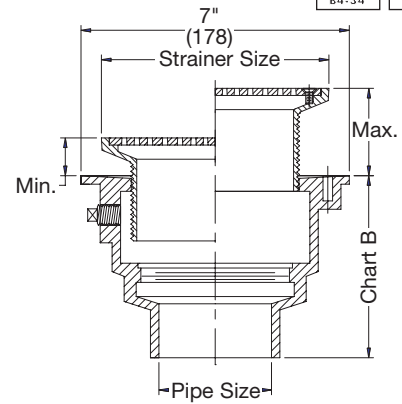
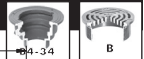


Chart A		
Strainer	Min.	Max.
5"	7/16"	2 1/4"
6"	5/8"	2 1/4"
7"	11/16"	2 1/4"
8"	3/4"	2 3/4"
10"	1"	2 1/4"

Chart B			
Pipe Size	No Hub	Push On	PVC/ABS
2"	4 3/4"	5 1/2"	4"
3"	4 3/4"	5 1/2"	4"
4"	4 3/4"	5 1/2"	4"

## FD-200-B

### Floor Drain with Round Heavy Duty Strainer



Model Number	Weight (lbs.)	Str. Size	Outlet Size	Strainer	List Price
FD-202, 3, 4-B5-4	13	5"	2, 3, 4"	ductile iron	\$553.50
FD-202, 3, 4-B5	8	5"	2, 3, 4"	nickel bronze	708.50
FD-202, 3, 4-B6	9.5	6"	2, 3, 4"	nickel bronze	977.50
FD-202, 3, 4-B8	16	8"	2, 3, 4"	nickel bronze	1,325.00
FD-202, 3, 4-B10	20	10"	2, 3, 4"	nickel bronze	2,132.00

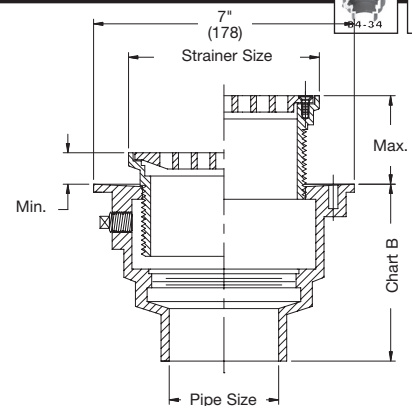


Chart A		
Strainer	Min.	Max.
5"	1"	2 1/4"
6"	1"	2 1/4"
8"	1 7/16"	2 3/4"
10"	1"	2 1/4"

Chart B			
Pipe Size	No Hub	Push On	PVC/ABS
2"	4 3/4"	5 1/2"	4"
3"	4 3/4"	5 1/2"	4"
4"	4 3/4"	5 1/2"	4"

### Options for FD-200 Series:

Suffix	Description	List Price	Suffix	Description	List Price
None	No Hub Outlet	No Add	-15	Strainer Extension (DD-50)	\$189.00
P	Push-On Outlet	No Add	-60	PVC Body w/Socket Outlet	No Add
X	Inside Caulk	No Add	-61	ABS Body w/Socket Outlet	No Add
-5	Sediment Bucket	\$144.50	-F4-50	4" Round Cast Iron Funnel	239.50
-6	Vandal Proof	72.75	-F4-1	4" Round Nickel Bronze Funnel	571.00
-7	Trap Primer Tapping	No Add	-F6-1	6" Round Nickel Bronze Funnel	834.50
-8	Ball Float Backwater Valve (2,3,4" Only)	503.50	-G-50	4x9" Oval Cast Iron Funnel	564.50
-13	Galvanized Body	261.00	-G-1	4x9" Oval Nickel Bronze Funnel	1,164.00



Consult factory for all applications outside of listed parameters.  
Prices do not include applicable taxes.

# Adjustable Floor Drains

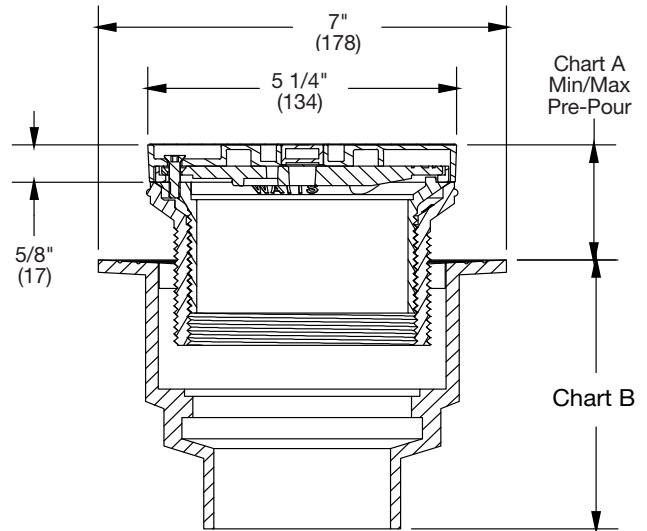
FD-290-PR

Pronto!® Cast Iron Adjustable Floor Drain w/Integrated Level

Model Number	Weight Lbs.	Str. Size	Outlet Size	Strainer	List Price
FD-292, 3, 4-PR5	13	5"(127)	2, 3, 4"	nickel bronze	\$699.00
FD-292, 3, 4-PR6	15	6"(152)	2, 3, 4"	nickel bronze	843.00
FD-292, 3, 4-PR7	17	7"(178)	2, 3, 4"	nickel bronze	1,056.00
FD-292, 3, 4-PR8	20	8"(203)	2, 3, 4"	nickel bronze	1,323.00



**PATENTED**



0-7/8" Adj. Post-Pour

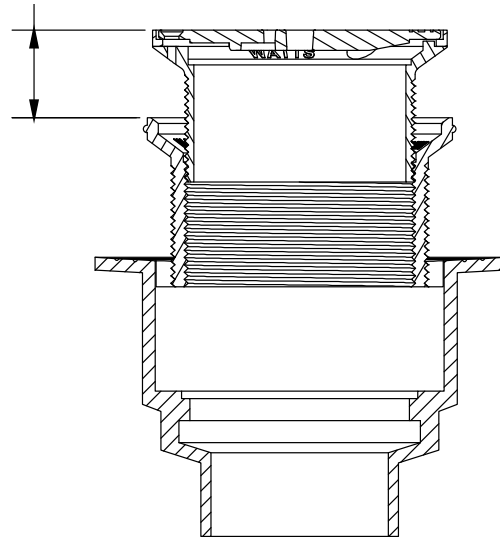


Chart A

Strainer Size	Min.	Max.	Load Rating	Free Area Sq. In
5"(127)	1 1/2"(38)	3 1/4"(83)	MD	6 1/16"(154)
6"(152)	1 1/2"(38)	3 1/4"(83)	LD	10 3/4"(273)
7"(178)	1 9/16"(40)	3 5/16"(84)	LD	13 1/4"(337)
8"(203)	1 11/16"(43)	3 7/16"(87)	MD	19"(483)

Chart B

Pipe Size	Std. No Hub	P Push On	60/61 PVC/ABS
2"(51)	4 1/2"(114)	5 1/2"(140)	4"(102)
3"(76)	4 1/2"(114)	5 1/2"(140)	4"(102)
4"(102)	4 1/2"(114)	5 1/2"(140)	4"(102)

## Options for FD-290-PR Series

Suffix	Description	List Price	Suffix	Description	List Price
None	No Hub Outlet	No Add	-15	Strainer Extension (DD-50)	\$189.00
P	Push-On Outlet	No Add	-F4-50	4" Round Cast Iron Funnel	239.50
T	Threaded Outlet	\$108.00	-F4-1	4" Round Nickel Bronze Funnel	571.00
X	Inside Caulk	No Add	-F6-1	6" Round Nickel Bronze Funnel	834.50
None	6" Outlet No Hub Only	161.00	-G-50	4x9" Oval Cast Iron Funnel	564.50
-7	Trap Primer Tapping	No Add	-G-1	4x9" Oval Nickel Bronze Funnel	1,164.00
-8	Ball Float Backwater Valve (2, 3, 4" Only)	503.50			
-13	Galvanized Body	261.00			

Consult factory for all applications outside of listed parameters.

Prices do not include applicable taxes.



# Adjustable Floor Drains

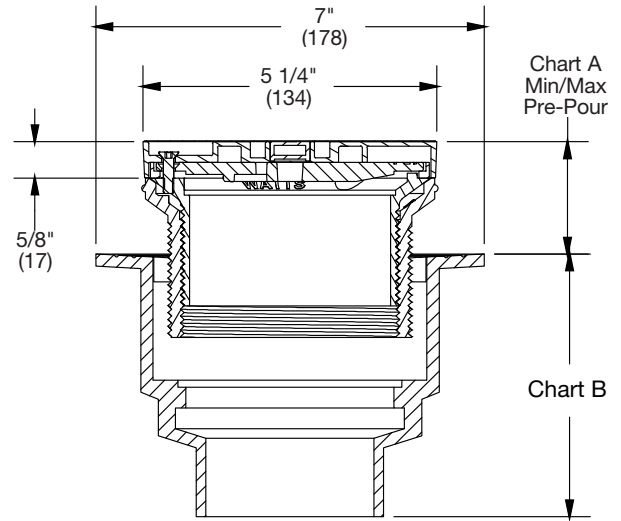
FD-290-PR-60

Pronto!® PVC Adjustable Floor Drain w/Integrated Level

Model Number	Weight Lbs.	Str. Size	Outlet Size	Strainer	List Price
FD-292, 3, 4-PR5-60	4	5"(127)	2, 3, 4"	nickel bronze	\$396.00
FD-292, 3, 4-PR6-60	5	6"(152)	2, 3, 4"	nickel bronze	574.50
FD-292, 3, 4-PR7-60	6	7"(178)	2, 3, 4"	nickel bronze	680.00
FD-292, 3, 4-PR8-60	7	8"(203)	2, 3, 4"	nickel bronze	737.00



**PATENTED**



0-7/8" Adj. Post-Pour

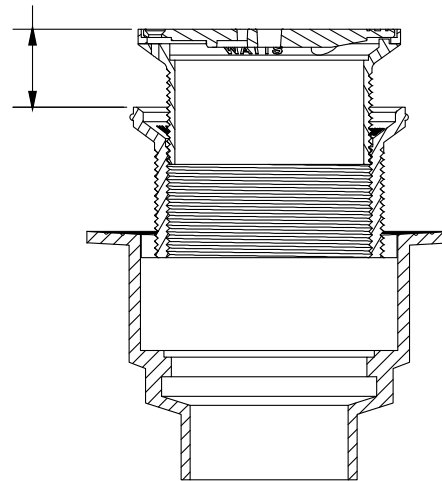


Chart A

Strainer Size	Min.	Max.	Load Rating	Free Area Sq. In
5"(127)	1 1/2"(38)	3 1/4"(83)	MD	6 1/16"(154)
6"(152)	1 1/2"(38)	3 1/4"(83)	LD	10 3/4"(273)
7"(178)	1 9/16"(40)	3 5/16"(84)	LD	13 1/4"(337)
8"(203)	1 11/16"(43)	3 7/16"(87)	MD	19"(483)

Chart B

Pipe Size	60 PVC
2"(51)	4 1/2"(114)
3"(76)	4 1/2"(114)
4"(102)	4 1/2"(114)

## Options for FD-290-PR-60 Series

Suffix	Description	List Price	Suffix	Description	List Price
-7	Trap Primer Tapping	No Add	-G-1	4x9" Oval Nickel Bronze Funnel	\$1,164.00
-8	Ball Float Backwater Valve	\$503.50			
-61	ABS Body w/Socket Outlet	135.00			
-F4-50	4" Round Cast Iron Funnel	239.50			
F4-1	4" Round Nickel Bronze Funnel	571.00			
-F6-1	6" Round Nickel Bronze Funnel	834.50			
-G-50	4x9" Oval Cast Iron Funnel	564.50			
-15	Strainer Extension (DD-50)	189.00			



Consult factory for all applications outside of listed parameters.  
Prices do not include applicable taxes.

# On-Grade Finished Area Floor Drains

## FD-200-AS

### Floor Drain with Angle Strainer



Model Number	Weight (lbs.)	Str. Size	Outlet Size	Strainer	List Price
FD-202, 3, 4-AS	8	5"x4"	2, 3, 4"	nickel bronze	\$2,522.00

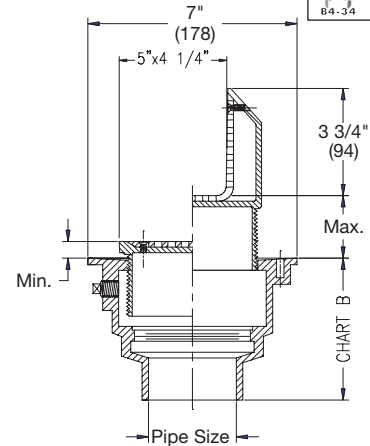


Chart A	
Min.	Max..
13/16"	3 1/4"

Chart B			
Pipe Size	No Hub	Push On	PVC/ABS
2"	4 3/4"	5 1/2"	4"
3"	4 3/4"	5 1/2"	4"
4"	4 3/4"	5 1/2"	4"

## FD-200-DD

### Floor Drain with Hub Funnel



Model Number	Weight (lbs.)	Str. Size	Outlet Size	Strainer	List Price
FD-202, 3, 4-DD-50	7	N/A	2, 3, 4"	cast iron	\$521.50
FD-202, 3, 4-DD-1	7	N/A	2, 3, 4"	nickel bronze	910.00

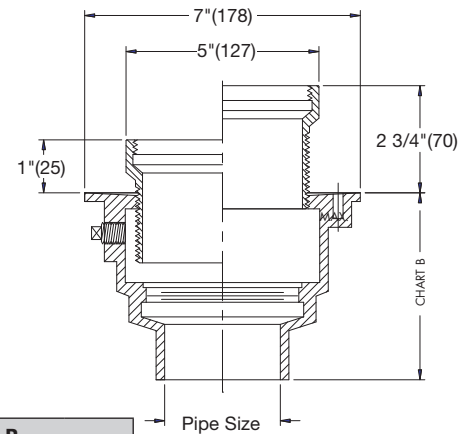


Chart A	
Min.	Max..
13/16"	3 1/4"

Chart B			
Pipe Size	No Hub	Push On	PVC/ABS
2"	4 3/4"	5 1/2"	4"
3"	4 3/4"	5 1/2"	4"
4"	4 3/4"	5 1/2"	4"

### Options for FD-200 Series:

Suffix	Description	List Price	Suffix	Description	List Price
None	No Hub Outlet	No Add	-15	Strainer Extension (DD-50)	\$189.00
P	Push-On Outlet	No Add	-60	PVC Body w/Socket Outlet	No Add
X	Inside Caulk	No Add	-61	ABS Body w/Socket Outlet	No Add
-5	Sediment Bucket	\$144.50	-F4-50	4" Round Cast Iron Funnel	239.50
-6	Vandal Proof	72.75	-F4-1	4" Round Nickel Bronze Funnel	571.00
-7	Trap Primer Tapping	No Add	-F6-1	6" Round Nickel Bronze Funnel	834.50
-8	Ball Float Backwater Valve (2,3,4" Only)	503.50	-G-50	4x9" Oval Cast Iron Funnel	564.50
-13	Galvanized Body	261.00	-G-1	4x9" Oval Nickel Bronze Funnel	1,164.00

Consult factory for all applications outside of listed parameters.

Prices do not include applicable taxes.





# On-Grade Finished Area Floor Drains

## FD-200-EF

### Floor Drain with Round Funnel



Model Number	Weight (lbs.)	Str. Size	Outlet Size	Funnel	List Price
FD-202, 3, 4-EF-1	9	5"	2, 3, 4"	nickel bronze	\$1,129.00
FD-202, 3, 4-EF-50	10	5"	2, 3, 4"	nickel bronze	796.00

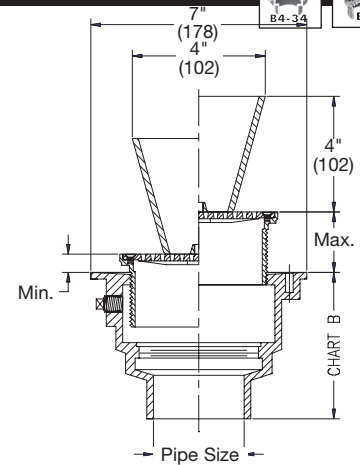


Chart A		
Strainer Dia.	Min.	Max.
5"	7/16"	1 5/8"

Chart B			
Pipe Size	No Hub	Push On	PVC/ABS
2"	4 3/4"	5 1/2"	4"
3"	4 3/4"	5 1/2"	4"
4"	4 3/4"	5 1/2"	4"

## FD-200-EG

### Floor Drain with Oval Funnel



Model Number	Weight (lbs.)	Str. Size	Outlet Size	Funnel	List Price
FD-202, 3, 4-EG-1	10	5"	2, 3, 4"	nickel bronze	\$1,722.00
FD-202, 3, 4-EG-50	10	5"	2, 3, 4"	cast iron	1,124.00

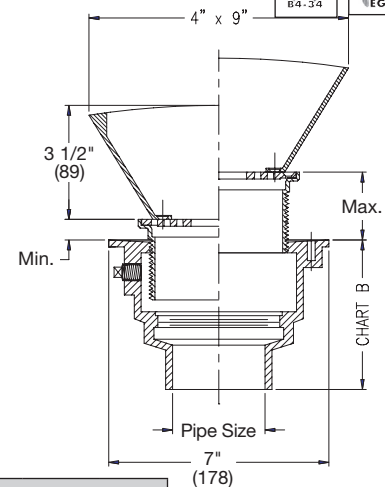


Chart A		
Strainer Dia.	Min.	Max.
5"	7/16"	1 5/8"

Chart B			
Pipe Size	No Hub	Push On	PVC/ABS
2"	4 3/4"	5 1/2"	4"
3"	4 3/4"	5 1/2"	4"
4"	4 3/4"	5 1/2"	4"

### Options for FD-200 Series:

Suffix	Description	List Price	Suffix	Description	List Price
None	No Hub Outlet	No Add	-15	Strainer Extension (DD-50)	\$189.00
P	Push-On Outlet	No Add	-60	PVC Body w/Socket Outlet	No Add
X	Inside Caulk	No Add	-61	ABS Body w/Socket Outlet	No Add
-5	Sediment Bucket	\$144.50	-F6-1	6" Round Nickel Bronze Funnel	834.50
-6	Vandal Proof	72.75			
-7	Trap Primer Tapping	No Add			
-8	Ball Float Backwater Valve (2,3,4" Only)	503.50			
-13	Galvanized Body	261.00			



Consult factory for all applications outside of listed parameters.  
Prices do not include applicable taxes.

# On-Grade Finished Area Floor Drains

## FD-200-ER

### Floor Drain with Extended Rim Strainer



Model Number	Weight (lbs.)	Str. Size	Outlet Size	Strainer	List Price
FD-202, 3, 4-ER5	11	5"	2, 3, 4"	nickel bronze	\$1,301.00
FD-202, 3, 4-ER7	12	7"	2, 3, 4"	nickel bronze	1,405.00
FD-202, 3, 4, ER9	13	9"	2, 3, 4"	nickel bronze	1,791.00

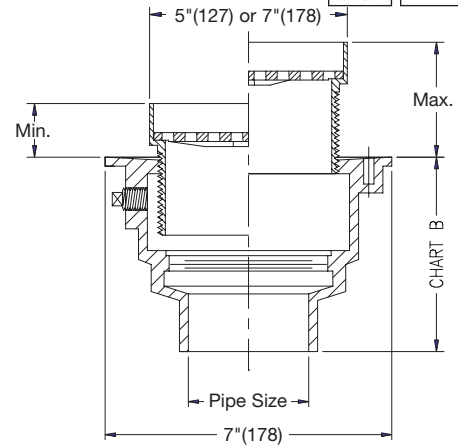


Chart A		
Strainer Dia.	Min.	Max.
5"	1 3/4"	3"
7"	1 3/4"	3"
9"	1 3/4"	3"

Chart B			
Pipe Size	No Hub	Push On	PVC/ABS
2"	4 3/4"	5 1/2"	4"
3"	4 3/4"	5 1/2"	4"
4"	4 3/4"	5 1/2"	4"

## FD-200-FC

### Floor Drain with Surface Membrane Clamp



Model Number	Weight (lbs.)	Str. Size	Outlet Size	Strainer	List Price
FD-202, 3, 4-FC7	15	7"	2, 3, 4"	nickel bronze	\$1,888.00
FD-202, 3, 4-FC9	16	9"	2, 3, 4"	nickel bronze	2,619.00

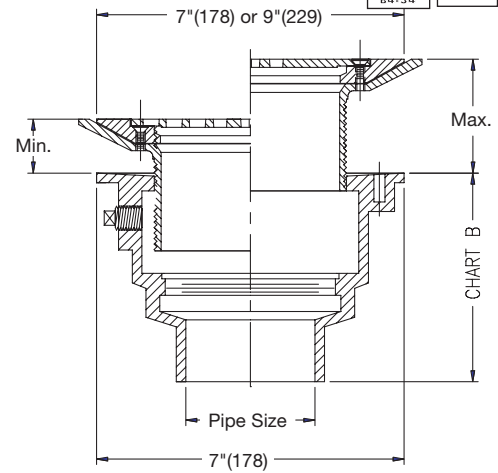


Chart A		
Strainer Dia.	Min.	Max.
7"	1 1/2"	2 3/4"
9"	1 1/2"	2 3/4"

Chart B			
Pipe Size	No Hub	Push On	PVC/ABS
2"	4 3/4"	5 1/2"	4"
3"	4 3/4"	5 1/2"	4"
4"	4 3/4"	5 1/2"	4"

### Options for FD-200 Series:

Suffix	Description	List Price	Suffix	Description	List Price
None	No Hub Outlet	No Add	-15	Strainer Extension (DD-50)	\$189.00
P	Push-On Outlet	No Add	-60	PVC Body w/Socket Outlet	No Add
X	Inside Caulk	No Add	-61	ABS Body w/Socket Outlet	No Add
-5	Sediment Bucket	\$144.50	-F4-50	4" Round Cast Iron Funnel	239.50
-6	Vandal Proof	72.75	-F4-1	4" Round Nickel Bronze Funnel	571.00
-7	Trap Primer Tapping	No Add	-F6-1	6" Round Nickel Bronze Funnel	834.50
-8	Ball Float Backwater Valve (2,3,4" Only)	503.50	-G-50	4x9" Oval Cast Iron Funnel	564.50
-13	Galvanized Body	261.00	-G-1	4x9" Oval Nickel Bronze Funnl	1,164.00

Consult factory for all applications outside of listed parameters.

Prices do not include applicable taxes.



# On-Grade Finished Area Floor Drains

**FD-200-H**

**Floor Drain with Elastomeric Flange**



Model Number	Weight (lbs.)	Str. Size	Outlet Size	Strainer	List Price
FD-202, 3, 4-H	15	6"	2, 3, 4"	nickel bronze	\$1,972.00

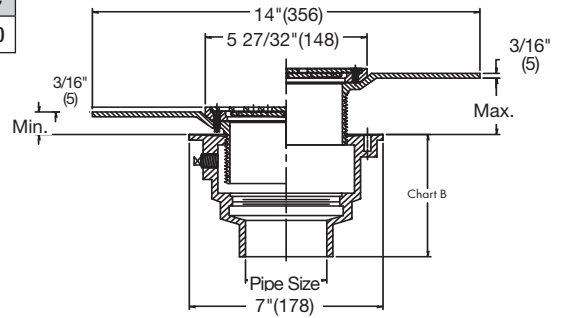


Chart A		
Strainer Dia.	Min.	Max.
6"	1"	2 1/4"

Chart B			
Pipe Size	No Hub	Push On	PVC/ABS
2"	4 3/4"	5 1/2"	4"
3"	4 3/4"	5 1/2"	4"
4"	4 3/4"	5 1/2"	4"

**FD-200-K**

**Floor Drain with Dome Strainer**



Model Number	Weight (lbs.)	Str. Size	Outlet Size	Strainer	List Price
FD-202, 3, 4-K	11	5" dome	2, 3, 4"	nickel bronze	\$823.50

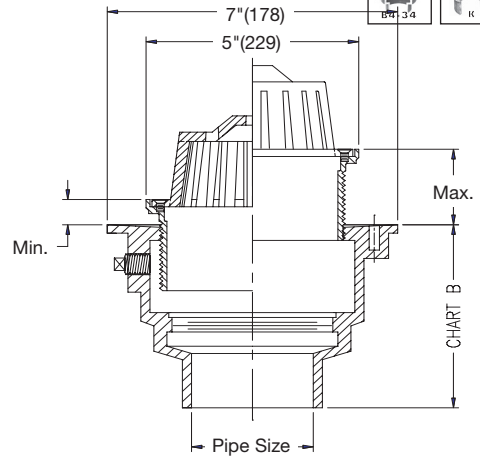


Chart A		
Strainer Dia.	Min.	Max.
5"	1"	2 1/4"

Chart B			
Pipe Size	No Hub	Push On	PVC/ABS
2"	4 3/4"	5 1/2"	4"
3"	4 3/4"	5 1/2"	4"
4"	4 3/4"	5 1/2"	4"

**Options for FD-200 Series:**

Suffix	Description	List Price	Suffix	Description	List Price
None	No Hub Outlet	No Add	-15	Strainer Extension (DD-50)	\$189.00
P	Push-On Outlet	No Add	-60	PVC Body w/Socket Outlet	No Add
X	Inside Caulk	No Add	-61	ABS Body w/Socket Outlet	No Add
-5	Sediment Bucket	\$144.50	-F4-50	4" Round Cast Iron Funnel	239.50
-6	Vandal Proof	72.75	-F4-1	4" Round Nickel Bronze Funnel	571.00
-7	Trap Primer Tapping	No Add	-F6-1	6" Round Nickel Bronze Funnel	834.50
-8	Ball Float Backwater Valve (2,3,4" Only)	503.50	-G-50	4x9" Oval Cast Iron Funnel	564.50
-13	Galvanized Body	261.00	-G-1	4x9" Oval Nickel Bronze Funnel	1,164.00



Consult factory for all applications outside of listed parameters.  
Prices do not include applicable taxes.

# On-Grade Finished Area Floor Drains

## FD-200-L

### Floor Drain with Square Heavy Duty Strainer



Model Number	Weight (lbs.)	Str. Size	Outlet Size	Strainer	List Price
FD-202, 3, 4-L5	10	5" Sq.	2, 3, 4"	nickel bronze	\$915.50
FD-202, 3, 4-L5-4	11	5" Sq.	2, 3, 4"	ductile iron	591.50
FD-202, 3, 4-L6	14	6" Sq.	2, 3, 4"	nickel bronze	1,091.00
FD-202, 3, 4-L6-9	14	6" Sq.	2, 3, 4"	NB hinged	1,459.00
FD-202, 3, 4-L8	16	8" Sq.	2, 3, 4"	nickel bronze	1,568.00
FD-202, 3, 4-L8-9	16	8" Sq.	2, 3, 4"	NB hinged	1,936.00

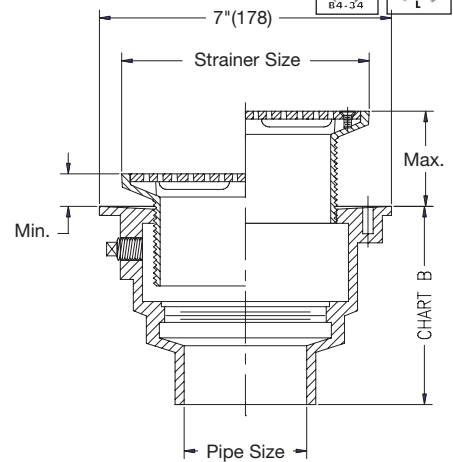
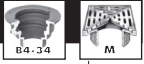


Chart A		
Strainer Dia.	Min.	Max.
5"x5"	1 1/2"	2 5/16"
6"x6"	1 1/2"	2 5/16"
8"x8"	1 1/2"	2 3/4"

Chart B			
Pipe Size	No Hub	Push On	PVC/ABS
2"	4 3/4"	5 1/2"	4"
3"	4 3/4"	5 1/2"	4"
4"	4 3/4"	5 1/2"	4"

## FD-200-M

### Floor Drain with Square Strainer



Model Number	Weight (lbs.)	Str. Size	Outlet Size	Strainer	List Price
FD-202, 3, 4-M5	10	5" Sq.	2, 3, 4"	nickel bronze	\$858.00
FD-202, 3, 4-M6	14	6" Sq.	2, 3, 4"	nickel bronze	955.00
FD-202, 3, 4-M6-9	14	6" Sq.	2, 3, 4"	NB hinged	1,078.00
FD-202, 3, 4-M8	16	8" Sq.	2, 3, 4"	nickel bronze	1,390.00
FD-202, 3, 4-M8-9	16	8" Sq.	2, 3, 4"	NB hinged	1,756.00

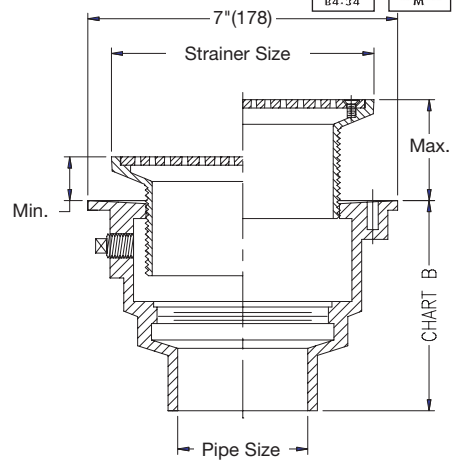


Chart A		
Strainer Dia.	Min.	Max.
5"x5"	1 1/2"	2 5/16"
6"x6"	1 1/2"	2 5/16"
8"x8"	1 1/2"	2 3/4"

Chart B			
Pipe Size	No Hub	Push On	PVC/ABS
2"	4 3/4"	5 1/2"	4"
3"	4 3/4"	5 1/2"	4"
4"	4 3/4"	5 1/2"	4"

### Options for FD-200 Series:

Suffix	Description	List Price	Suffix	Description	List Price
None	No Hub Outlet	No Add	-15	Strainer Extension (DD-50)	\$189.00
P	Push-On Outlet	No Add	-60	PVC Body w/Socket Outlet	No Add
X	Inside Caulk	No Add	-61	ABS Body w/Socket Outlet	No Add
-5	Sediment Bucket	\$144.50	-F4-50	4" Round Cast Iron Funnel	239.50
-6	Vandal Proof	72.75	-F4-1	4" Round Nickel Bronze Funnel	634.00
-7	Trap Primer Tapping	No Add	-F6-1	6" Round Nickel Bronze Funnel	834.50
-8	Ball Float Backwater Valve (2,3,4" Only)	503.50	-G-50	4x9" Oval Cast Iron Funnel	564.50
-13	Galvanized Body	261.00	-G-1	4x9" Oval Nickel Bronze Funnel	1,164.00

Consult factory for all applications outside of listed parameters.

Prices do not include applicable taxes.



# On-Grade Finished Area Floor Drains

## FD-200-RS

### Floor Drain with Rectangular Strainer



Model Number	Weight (lbs.)	Str. Size	Outlet Size	Strainer	List Price
FD-202, 3, 4-RS48	12	4"x8"	2, 3, 4"	nickel bronze	\$1,325.00
FD-202, 3, 4-RS412	14	4"x12"	2, 3, 4"	nickel bronze	1,618.00
FD-202, 3, 4-RS517	24	5"x17"	2, 3, 4"	nickel bronze	1,950.00

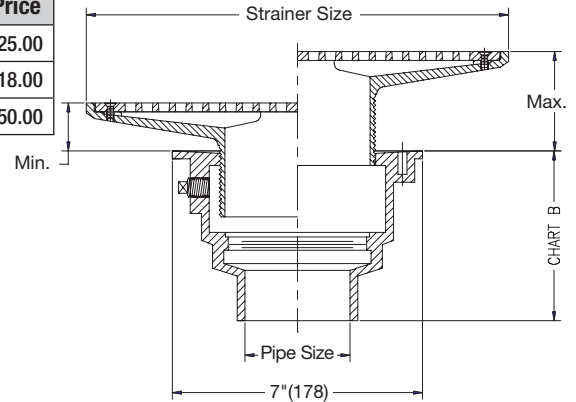


Chart A		
Strainer	Min.	Max.
4"x8"	1 1/2"	2 3/4"
4"x12"	1 1/2"	3"
5"x17"	1 1/2"	3 1/2"

Chart B			
Pipe Size	No Hub	Push On	PVC/ABS
2"	4 3/4"	5 1/2"	4"
3"	4 3/4"	5 1/2"	4"
4"	4 3/4"	5 1/2"	4"

## FD-200-VD

### Floor Drain with Round Hinged Solid Cover



Model Number	Weight (lbs.)	Str. Size	Outlet Size	Strainer	List Price
FD-202, 3, 4-VD	15	6" cover	2, 3, 4"	nickel bronze	\$1,074.00

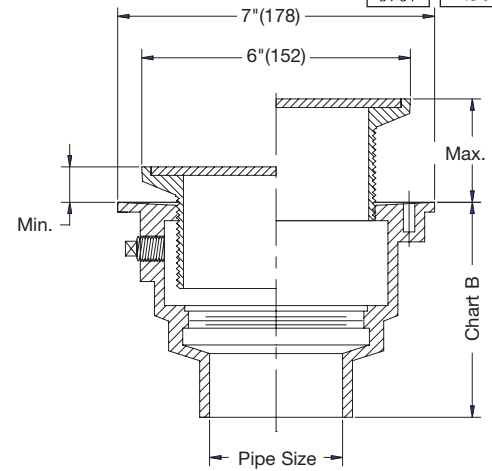


Chart B			
Pipe Size	No Hub	Push On	PVC/ABS
2"	4 3/4"	5 1/2"	4"
3"	4 3/4"	5 1/2"	4"
4"	4 3/4"	5 1/2"	4"

### Options for FD-200 Series:

Suffix	Description	List Price	Suffix	Description	List Price
None	No Hub Outlet	No Add	-15	Strainer Extension (DD-50)	\$189.00
P	Push-On Outlet	No Add	-60	PVC Body w/Socket Outlet	No Add
X	Inside Caulk	No Add	-61	ABS Body w/Socket Outlet	No Add
-5	Sediment Bucket	\$144.50	-F4-50	4" Round Cast Iron Funnel	239.50
-6	Vandal Proof	72.75	-F4-1	4" Round Nickel Bronze Funnel	634.00
-7	Trap Primer Tapping	No Add	-F6-1	6" Round Nickel Bronze Funnel	834.50
-8	Ball Float Backwater Valve (2,3,4" Only)	503.50	-G-50	4x9" Oval Cast Iron Funnel	564.50
-13	Galvanized Body	261.00	-G-1	4x9" Oval Nickel Bronze Funnel	1,164.00



Consult factory for all applications outside of listed parameters.  
Prices do not include applicable taxes.

# On-Grade Finished Area Floor Drains

## FD-200-VS

### Floor Drain with Square Hinged Solid Cover



Model Number	Weight (lbs.)	Str. Size	Outlet Size	Strainer	List Price
FD-202, 3, 4-VS	15	6"x6"	2, 3, 4"	nickel bronze	\$1,568.00

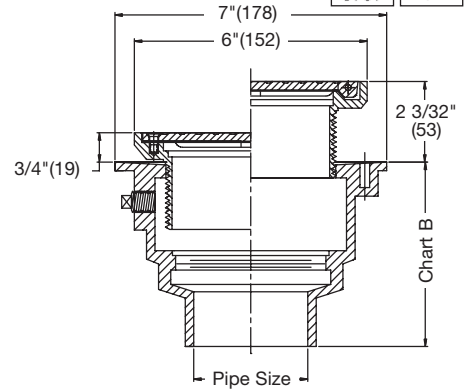


Chart B			
Pipe Size	No Hub	Push On	PVC/ABS
2"	4 3/4"	5 1/2"	4"
3"	4 3/4"	5 1/2"	4"
4"	4 3/4"	5 1/2"	4"

## FD-200-WD

### Floor Drain with Domed Standpipe



Model Number	Weight (lbs.)	Strainer Type	Outlet Size	List Price
FD-202, 3, 4-WD	11	domed standpipe	2, 3, 4"	\$1,379.00

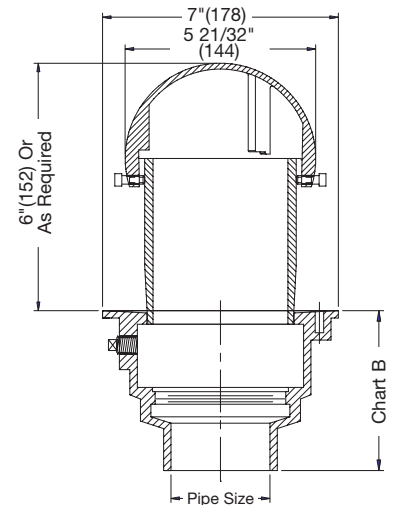


Chart B			
Pipe Size	No Hub	Push On	PVC/ABS
2"	4 3/4"	5 1/2"	4"
3"	4 3/4"	5 1/2"	4"
4"	4 3/4"	5 1/2"	4"

### Options for FD-200 Series:

Suffix	Description	List Price	Suffix	Description	List Price
None	No Hub Outlet	No Add	-15	Strainer Extension (DD-50)	\$189.00
P	Push-On Outlet	No Add	-60	PVC Body w/Socket Outlet	No Add
X	Inside Caulk	No Add	-61	ABS Body w/Socket Outlet	No Add
-5	Sediment Bucket	\$144.50	-F4-50	4" Round Cast Iron Funnel	239.50
-6	Vandal Proof	72.75	-F4-1	4" Round Nickel Bronze Funnel	634.00
-7	Trap Primer Tapping	No Add	-F6-1	6" Round Nickel Bronze Funnel	834.50
-8	Ball Float Backwater Valve (2,3,4" Only)	503.50	-G-50	4x9" Oval Cast Iron Funnel	564.50
-13	Galvanized Body	261.00	-G-1	4x9" Oval Nickel Bronze Funnel	1,164.00

Consult factory for all applications outside of listed parameters.

Prices do not include applicable taxes.



# On-Grade Finished Area Floor Drains

**FD-230-A**

**Combined Floor Drain/Cleanout with Integral Trap**

Model Number	Weight (lbs.)	Str. Size	Outlet Size	Strainer	List Price
FD-232, 3, 4-A5	57	5"	2, 3, 4"	nickel bronze	\$2,367.00
FD-232, 3, 4-A6	58	6"	2, 3, 4"	nickel bronze	2,514.00
FD-232, 3, 4-A7	60	7"	2, 3, 4"	nickel bronze	2,646.00
FD-232, 3, 4-M5	60	5"	2, 3, 4"	nickel bronze	2,467.00
FD-232, 3, 4-M6	60	6"	2, 3, 4"	nickel bronze	2,408.00

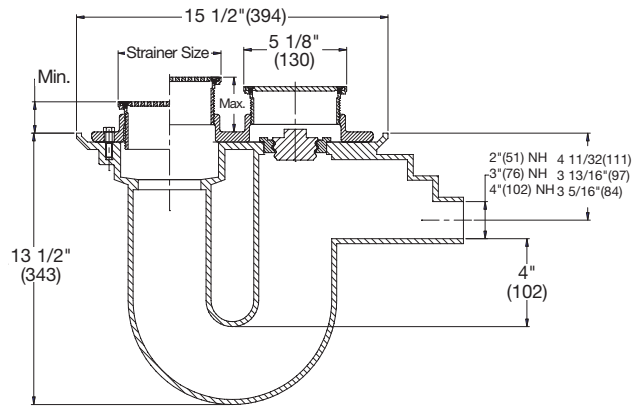


Chart A		
Str. Size	Min.	Max.
5" Dia.	1 7/16"	2 1/4"
6" Dia.	1 9/16"	2 3/8"
7" Dia.	1 11/16"	3 1/4"
5" Sq.	7/8"	3 1/4"
6" Sq.	1"	3 1/4"

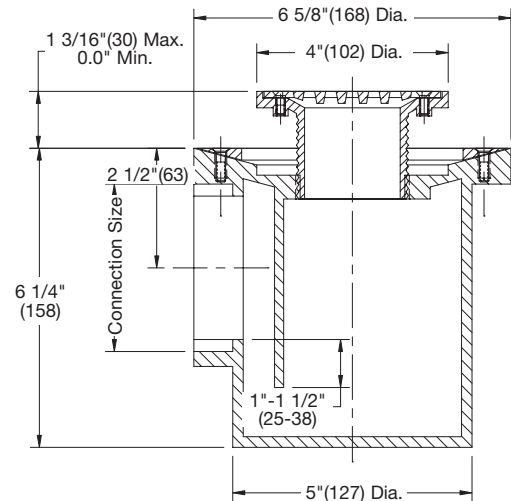
## Options for FD-230 Series:

Suffix	Description	List Price	Suffix	Description	List Price
-7	Trap Primer Tapping	\$200.50	-F6-1	6" Round Nickel Bronze Funnel	\$834.50
-15	Strainer Extension (DD-50)	189.00	-G-50	4x9" Oval Cast Iron Funnel	564.50
-F4-50	4" Round Cast Iron Funnel	239.50	-G-1	4x9" Oval Nickel Bronze Funnel	1,164.00
-F4-1	4" Round Nickel Bronze Funnel	571.00			

**FD-240**

**Prison Cell Floor Drain**

Model Number	Weight (lbs.)	Str. Size	Outlet Size	Strainer	List Price
FD-242	15	4"	2"	nickel bronze	\$1,341.00
FD-243	14	4"	3"	nickel bronze	1,497.00



## Options for FD-240 Series

Suffix	Description	List Price
-7	Trap Primer Tapping	\$201.00
-CP	Chrome Plated Top	346.00



Consult factory for all applications outside of listed parameters.  
Prices do not include applicable taxes.

# Area Drains

## FD-300

### Area Drain with 7" Adjustable Top



Model Number	Weight (lbs.)	Grate Size	Outlet Size	Grate	List Price
FD-302, 3, 4	13	7"	2,3,4"	ductile iron	\$629.50
FD-302, 3, 4-1	18	7"	2,3,4"	nickel bronze	1,402.00

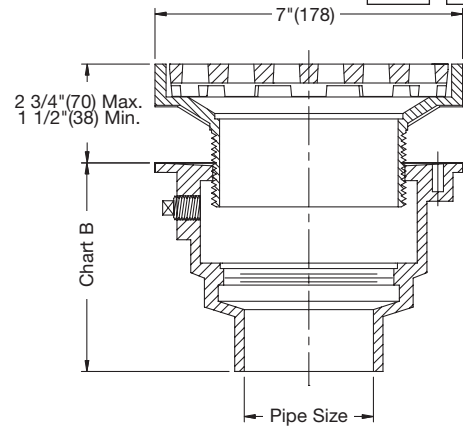


Chart B			
Pipe Size	No Hub	Push On	PVC/ABS
2"	4 3/4"	5 1/2"	4"
3"	4 3/4"	5 1/2"	4"
4"	4 3/4"	5 1/2"	4"

#### Options for FD-300 Series

Suffix	Description	List Price
-C	Membrane Clamp	\$194.00

## FD-310

### Area Drain with 7" Fixed Top



Model Number	Weight (lbs.)	Grate Size	Outlet Size	Grate	List Price
FD-312, 3, 4	13	7"	2,3,4"	ductile iron	\$583.50
FD-312, 3, 4-1	18	7"	2,3,4"	nickel bronze	1,398.00

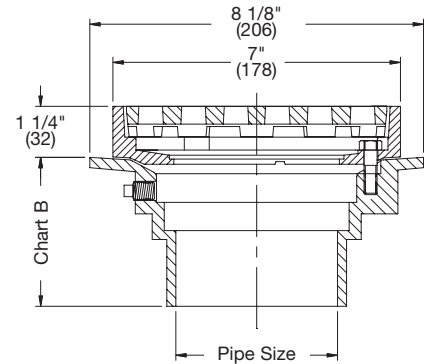


Chart B					
Pipe Size	No Hub	Push On	Female Thread	Inside Caulk	PVC/ABS
2"	3 5/8"	3 5/8"	4 1/4"	4 1/4"	2 3/4"
3"	3 5/8"	4"	4 1/4"	4 1/4"	3 5/8"
4"	3 5/8"	4"	4 1/4"	4 1/4"	3 7/8"
6"	3 1/2"	-	-	-	-

#### Options for FD-300, 310, 320, 330 Series:

Suffix	Description	List Price	Suffix	Description	List Price
None	No Hub	No Add	-34	Closure Plug	\$162.00
P	Push-On	No Add	-60	PVC Body w/Socket Outlet (2,3,4" only)	No Add
T	Threaded Outlet	\$108.00	-61	ABS Body w/Socket Outlet (2,3,4" only)	No Add
X	Inside Caulk Outlet	No Add	-F4-50	4" Round Cast Iron Funnel	239.50
None	6" Outlet - No Hub Only	161.00	-F4-1	4" Round Nickel Bronze Funnel	571.00
-5	Sediment Bucket	185.00	-F6-1	6" Round Nickel Bronze Funnel	834.50
-6	Vandal Proof	196.50	-G-50	4x9" Oval Cast Iron Funnel	564.50
-7	Trap Primer Tapping	No Add	-G-1	4x9" Oval Nickel Bronze Funnel	1,164.00
-8	Ball Float Backwater Valve (2,3,4" Only)	503.50	-S0	Side Outlet (2, 3, 4" only)	292.00
-13	All Galvanized (unless other top specified)	567.50			
-21	Secondary Strainer	90.50			

Consult factory for all applications outside of listed parameters.

Prices do not include applicable taxes.





# Area Drains

**FD-320**

**Area Drain with 8" Adjustable Top**



Model Number	Weight (lbs.)	Grate Size	Outlet Size	Grate	List Price
FD-322, 3, 4	19	8"	2, 3, 4"	ductile iron	\$949.50
FD-322, 3, 4-1	20	8"	2, 3, 4"	nickel bronze	1,670.00

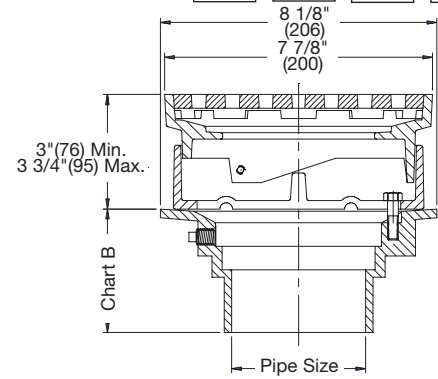


Chart B					
Pipe Size	No Hub	Push On	Female Thread	Inside Caulk	PVC/ABS
2"	3 5/8"	3 5/8"	4 1/4"	4 1/4"	2 3/4"
3"	3 5/8"	4"	4 1/4"	4 1/4"	3 5/8"
4"	3 5/8"	4"	4 1/4"	4 1/4"	3 7/8"
6"	3 1/2"	-	-	-	-

**FD-320-SET**

**Area Drain with 8" Adjustable Top, Grate Supported by Bucket**

Model Number	Weight (lbs.)	Grate Size	Outlet Size	Grate	List Price
FD-322, 3, 4-Set	19	8"	2, 3, 4"	ductile iron	\$1,106.00
FD-322, 3, 4-Set-1	19	8"	2, 3, 4"	nickel bronze	2,576.00

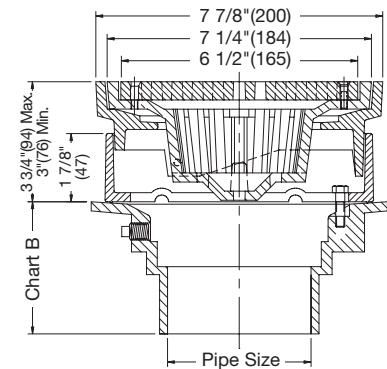


Chart B					
Pipe Size	No Hub	Push On	Female Thread	Inside Caulk	PVC/ABS
2"	3 5/8"	3 5/8"	4 1/4"	4 1/4"	2 3/4"
3"	3 5/8"	4"	4 1/4"	4 1/4"	3 5/8"
4"	3 5/8"	4"	4 1/4"	4 1/4"	3 7/8"
6"	3 1/2"	-	-	-	-

**Options for FD-300, 310, 320, 330 Series:**

Suffix	Description	List Price	Suffix	Description	List Price
None	No Hub	No Add	-34	Closure Plug	\$162.00
P	Push-On	No Add	-60	PVC Body w/Socket Outlet (2,3,4" only)	No Add
T	Threaded Outlet	\$108.00	-61	ABS Body w/Socket Outlet (2,3,4" only)	No Add
X	Inside Caulk Outlet	No Add	-F4-50	4" Round Cast Iron Funnel	239.50
None	6" Outlet - No Hub Only	161.00	-F4-1	4" Round Nickel Bronze Funnel	571.00
-5	Sediment Bucket	185.00	-F6-1	6" Round Nickel Bronze Funnel	834.50
-6	Vandal Proof	196.50	-G-50	4x9" Oval Cast Iron Funnel	564.50
-7	Trap Primer Tapping	No Add	-G-1	4x9" Oval Nickel Bronze Funnel	1,164.00
-8	Ball Float Backwater Valve (2,3,4" Only)	503.50	-S0	Side Outlet (2, 3, 4" only)	292.00
-13	All Galvanized (unless other top specified)	567.50			
-21	Secondary Strainer	90.50			



Consult factory for all applications outside of listed parameters.  
Prices do not include applicable taxes.

# Area Drains

## FD-320-Y

### Area Drain with 8" Fixed Top



Model Number	Weight (lbs.)	Grate Size	Outlet Size	Grate	List Price
FD-322, 3, 4-Y	19	8"	2, 3, 4"	ductile iron	\$678.00
FD-322, 3, 4-Y-1	20	8"	2, 3, 4"	nickel bronze	1,465.00

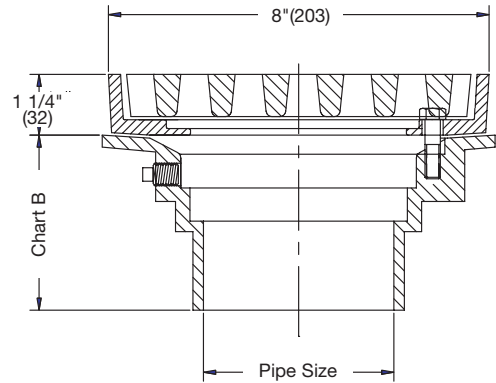


Chart B					
Pipe Size	No Hub	Push On	Female Thread	Inside Caulk	PVC/ABS
2"	3 5/8"	3 5/8"	4 1/4"	4 1/4"	2 3/4"
3"	3 5/8"	4"	4 1/4"	4 1/4"	3 5/8"
4"	3 5/8"	4"	4 1/4"	4 1/4"	3 7/8"
6"	3 1/2"	-	-	-	-

#### Options for FD-320-Y Series

Suffix	Description	List Price
-5SS	Type 304 Stainless Steel Sediment Bucket	\$459.00
-28	All Type 304 Stainless Steel	1,305.00

## FD-320-Y-SET

### Area Drain with 8" Fixed Top, Grate Supported by Bucket

Model Number	Weight (lbs.)	Grate Size	Outlet Size	Grate	List Price
FD-322, 3, 4-Y-SET	19	8"	2, 3, 4"	ductile iron	\$798.50
FD-322, 3, 4-Y-SET-1	19	8"	2, 3, 4"	nickel bronze	1,948.00

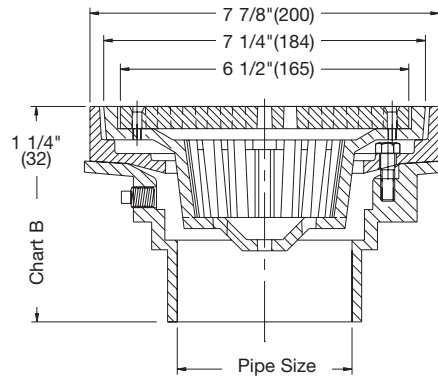


Chart B					
Pipe Size	No Hub	Push On	Female Thread	Inside Caulk	PVC/ABS
2"	3 5/8"	3 5/8"	4 1/4"	4 1/4"	2 3/4"
3"	3 5/8"	4"	4 1/4"	4 1/4"	3 5/8"
4"	3 5/8"	4"	4 1/4"	4 1/4"	3 7/8"
6"	3 1/2"	-	-	-	-

#### Options for FD-300, 310, 320, 330 Series:

Suffix	Description	List Price	Suffix	Description	List Price
None	No Hub	No Add	-34	Closure Plug	\$162.00
P	Push-On	No Add	-60	PVC Body w/Socket Outlet (2,3,4" only)	No Add
T	Threaded Outlet	\$108.00	-61	ABS Body w/Socket Outlet (2,3,4" only)	No Add
X	Inside Caulk Outlet	No Add	-F4-50	4" Round Cast Iron Funnel	239.50
None	6" Outlet - No Hub Only	161.00	-F4-1	4" Round Nickel Bronze Funnel	571.00
-5	Sediment Bucket	185.00	-F6-1	6" Round Nickel Bronze Funnel	834.50
-6	Vandal Proof	196.50	-G-50	4x9" Oval Cast Iron Funnel	564.50
-7	Trap Primer Tapping	No Add	-G-1	4x9" Oval Nickel Bronze Funnel	1,164.00
-8	Ball Float Backwater Valve (2,3,4" Only)	503.50	-S0	Side Outlet (2, 3, 4" only)	292.00
-13	All Galvanized (unless other top specified)	567.50			
-21	Secondary Strainer	90.50			

Consult factory for all applications outside of listed parameters.

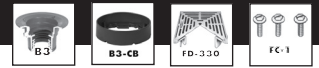
Prices do not include applicable taxes.



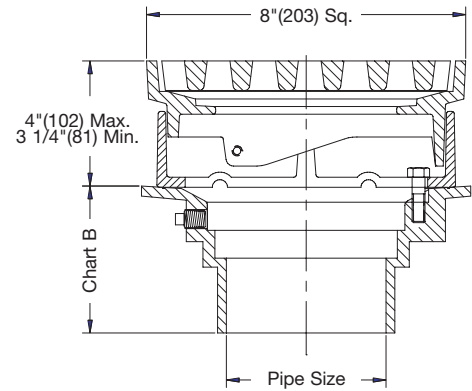
# Area Drains

**FD-330**

**Area Drain with 8" x 8" Adjustable Top**



Model Number	Weight (lbs.)	Grate Size	Outlet Size	Grate	List Price
FD-332, 3, 4	22	8" Sq.	2, 3, 4"	ductile iron	\$1,385.00
FD-332, 3, 4-1	23	8" Sq.	2, 3, 4"	nickel bronze	2,329.00



### Options for FD-330 Series

Suffix	Description	List Price
-9	Hinged Grate	\$346.00

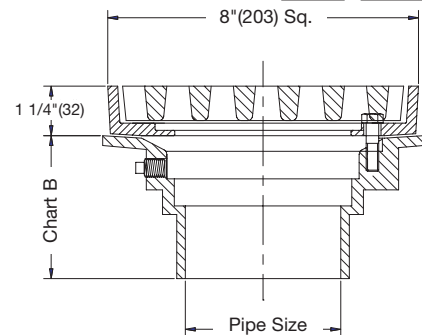
Pipe Size	No Hub	Push On	Female Thread	Inside Caulk	PVC/ABS
2"	3 5/8"	3 5/8"	4 1/4"	4 1/4"	2 3/4"
3"	3 5/8"	4"	4 1/4"	4 1/4"	3 5/8"
4"	3 5/8"	4"	4 1/4"	4 1/4"	3 7/8"
6"	3 1/2"	-	-	-	-

**FD-330-Y**

**Area Drain with 8" x 8" Fixed Top**



Model Number	Weight (lbs.)	Grate Size	Outlet Size	Grate	List Price
FD-332, 3, 4-Y	22	8" Sq.	2, 3, 4"	ductile iron	\$1,107.00
FD-332, 3, 4-Y-1	23	8" Sq.	2, 3, 4"	nickel bronze	1,925.00



### Options for FD-330-Y Series

Suffix	Description	List Price
-9	Hinged Grate	\$346.00

Pipe Size	No Hub	Push On	Female Thread	Inside Caulk	PVC/ABS
2"	3 5/8"	3 5/8"	4 1/4"	4 1/4"	2 3/4"
3"	3 5/8"	4"	4 1/4"	4 1/4"	3 5/8"
4"	3 5/8"	4"	4 1/4"	4 1/4"	3 7/8"
6"	3 1/2"	-	-	-	-

### Options for FD-300, 310, 320, 330 Series:

Suffix	Description	List Price	Suffix	Description	List Price
None	No Hub	No Add	-34	Closure Plug	\$162.00
P	Push-On	No Add	-60	PVC Body w/Socket Outlet (2,3,4" only)	No Add
T	Threaded Outlet	\$108.00	-61	ABS Body w/Socket Outlet (2,3,4" only)	No Add
X	Inside Caulk Outlet	No Add	-F4-50	4" Round Cast Iron Funnel	239.50
None	6" Outlet - No Hub Only	161.00	-F4-1	4" Round Nickel Bronze Funnel	571.00
-5	Sediment Bucket	185.00	-F6-1	6" Round Nickel Bronze Funnel	834.50
-6	Vandal Proof	196.50	-G-50	4x9" Oval Cast Iron Funnel	564.50
-7	Trap Primer Tapping	No Add	-G-1	4x9" Oval Nickel Bronze Funnel	1,164.00
-8	Ball Float Backwater Valve (2,3,4" Only)	503.50	-S0	Side Outlet (2, 3, 4" only)	292.00
-13	All Galvanized (unless other top specified)	567.50			
-21	Secondary Strainer	90.50			



Consult factory for all applications outside of listed parameters.  
Prices do not include applicable taxes.

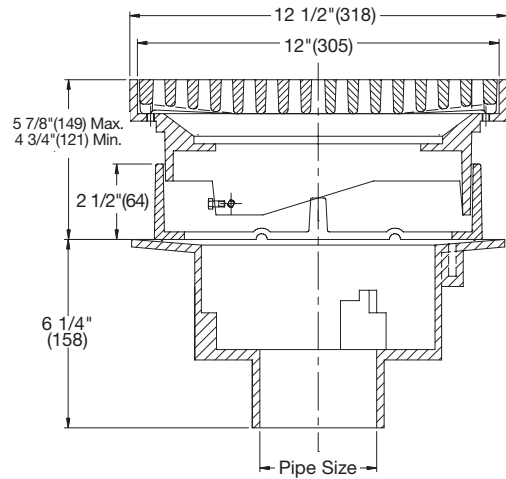
# Area Drains

**FD-340**

**Area Drain with 12" Round Adjustable Top**



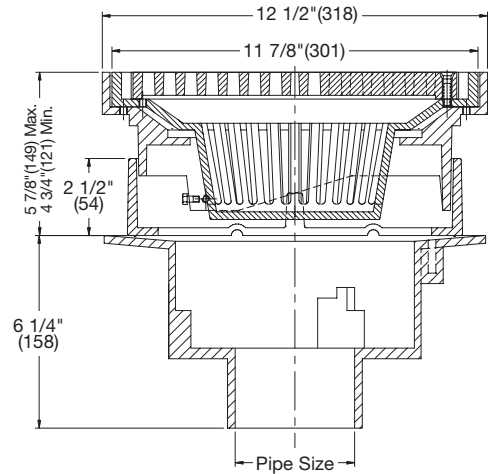
Model Number	Weight (lbs.)	Grate Size	Outlet Size	Grate	List Price
FD-342,3,4,5,6,8	62	12"	2,3,4,5,6,8"	ductile iron	\$1,964.00
FD-342,3,4,5,6,8-1	62	12"	2,3,4,5,6,8"	nickel bronze	3,644.00



**FD-340-SET**

**Area Drain with 12" Round Adjustable Top, Grate Supported By Bucket**

Model Number	Weight (lbs.)	Grate Size	Outlet Size	Grate	List Price
FD-342,3,4,5,6,8-SET	62	12"	2,3,4,5,6,8"	ductile iron	\$2,375.00
FD-342,3,4,5,6,8-1-SET	62	12"	2,3,4,5,6,8"	nickel bronze	3,375.00



**Options for FD-340, FD-340-SET Series:**

Suffix	Description	List Price	Suffix	Description	List Price
None	No Hub	No Add	-34	Closure Plug	\$162.00
P	Push-On Outlet (2,3,4,6" only)	No Add	-60	PVC Body w/Socket Outlet (2,3,4" only)	No Add
T	Threaded Outlet (2,3,4,6" only)	\$108.00	-61	ABS Body w/Socket Outlet (2,3,4" only)	No Add
X	Inside Caulk Outlet (2,3,4,6" only)	No Add	-F4-50	4" Round Cast Iron Funnel	239.50
-5	Sediment Bucket	342.50	-F4-1	4" Round Nickel Bronze Funnel	571.00
-6	Vandal Proof	196.50	-F6-1	6" Round Nickel Bronze Funnel	834.50
-7	Trap Primer Tapping	201.00	-G-50	4x9" Oval Cast Iron Funnel	564.50
-8	Ball Float Backwater Valve (2,3,4" only)	503.50	-G-1	4x9" Oval Nickel Bronze Funnel	1,164.00
-13	All Galvanized (unless other top specified)	1,077.00	-S0	Side Outlet (2, 3, 4" only)	449.00
-21	Secondary Strainer	90.50			

Consult factory for all applications outside of listed parameters.

Prices do not include applicable taxes.



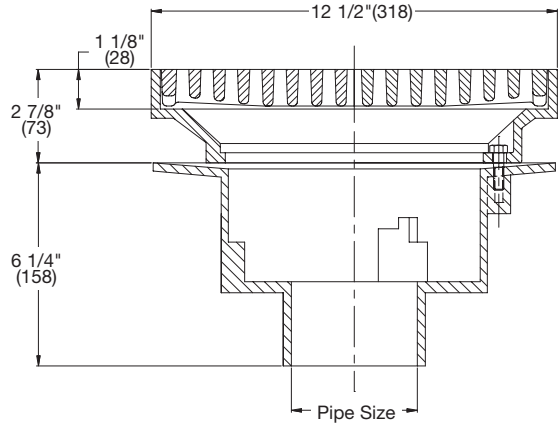
# Area Drains

**FD-340-Y**

**Area Drain with 12" Round Fixed Top**



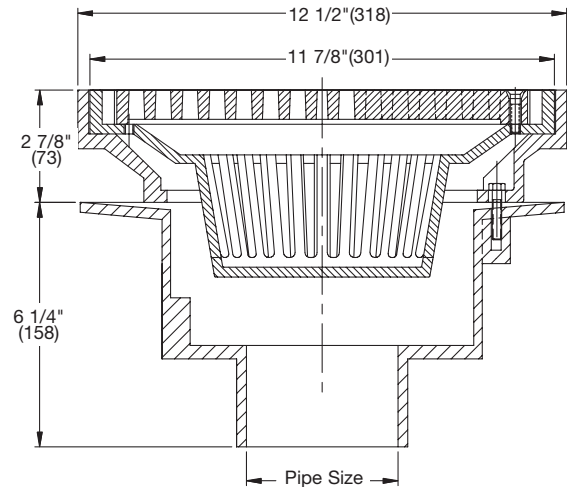
Model Number	Weight (lbs.)	Grate Size	Outlet Size	Grate	List Price
FD-342,3,4,5,6,8-Y	60	12"	2,3,4,5,6,8"	ductile iron	\$1,477.00
FD-342,3,4,5,6,8-Y-1	60	12"	2,3,4,5,6,8"	nickel bronze	2,916.00



**FD-340-Y-SET**

**Area Drain with 12" Round Fixed Top Grate Supported By Bucket**

Model Number	Weight (lbs.)	Grate Size	Outlet Size	Grate	List Price
FD-342,3,4,5,6,8-Y-SET	60	12"	2,3,4,5,6,8"	ductile iron	\$2,007.00
FD-342,3,4,5,6,8-Y-1-SET	60	12"	2,3,4,5,6,8"	nickel bronze	3,511.00



**Options for FD-340, FD-340-Y Series:**

Suffix	Description	List Price	Suffix	Description	List Price
None	No Hub	No Add	-34	Closure Plug	\$162.00
P	Push-On Outlet (2,3,4,6" only)	No Add	-60	PVC Body w/Socket Outlet (2,3,4" only)	No Add
T	Threaded Outlet (2,3,4,6" only)	\$108.00	-61	ABS Body w/Socket Outlet (2,3,4" only)	No Add
X	Inside Caulk Outlet (2,3,4,6" only)	No Add	-F4-50	4" Round Cast Iron Funnel	239.50
-5	Sediment Bucket	342.50	-F4-1	4" Round Nickel Bronze Funnel	571.00
-6	Vandal Proof	196.50	-F6-1	6" Round Nickel Bronze Funnel	834.50
-7	Trap Primer Tapping	201.00	-G-50	4x9" Oval Cast Iron Funnel	564.50
-8	Ball Float Backwater Valve (2,3,4" only)	503.50	-G-1	4x9" Oval Nickel Bronze Funnel	1,164.00
-13	All Galvanized (unless other top specified)	1,077.00	-S0	Side Outlet (2, 3, 4" only)	449.00
-21	Secondary Strainer	90.50			



Consult factory for all applications outside of listed parameters.  
Prices do not include applicable taxes.

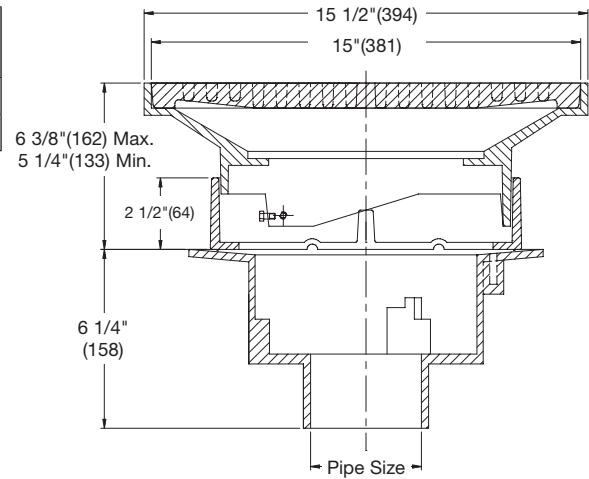
# Area Drains

**FD-360**

**Area Drain with 15" Round Adjustable Top**



Model Number	Weight (lbs.)	Grate Size	Outlet Size	Grate	List Price
FD-362,3,4,5,6,8	110	15"	2,3,4,5,6,8"	ductile iron	\$4,412.00
FD-362,3,4,5,6,8-1	110	15"	2,3,4,5,6,8"	nickel bronze	6,687.00

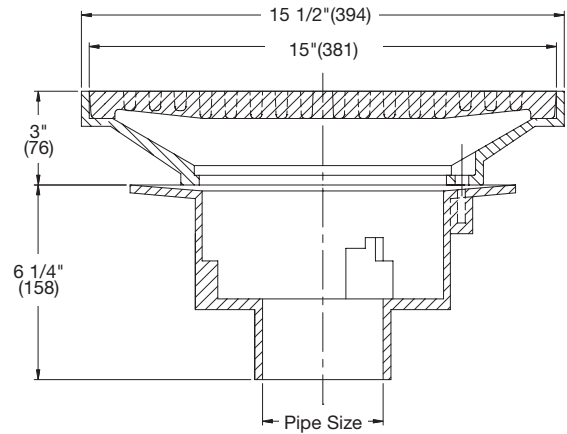


**FD-360-Y**

**Area Drain with 15" Round Fixed Top**



Model Number	Weight (lbs.)	Grate Size	Outlet Size	Grate	List Price
FD-362,3,4,5,6,8-Y	110	15"	2,3,4,5,6,8"	ductile iron	\$3,820.00
FD-362,3,4,5,6,8-Y-1	110	15"	2,3,4,5,6,8"	nickel bronze	5,922.00



**Options for FD-360, FD-360-Y Series:**

Suffix	Description	List Price	Suffix	Description	List Price
None	No Hub	No Add	-34	Closure Plug	\$162.00
P	Push-On (2,3,4,6" Only)	No Add	-60	PVC Body w/Socket Outlet (2,3,4,6" Only)	No Add
T	Threaded Outlet (2,3,4,6" Only)	\$108.00	-61	ABS Body w/Socket Outlet (2,3,4" Only)	No Add
X	Inside Caulk Outlet (2,3,4,6" Only)	No Add	-F4-50	4" Round Cast Iron Funnel	239.50
-5	Sediment Bucket	342.50	-F4-1	4" Round Nickel Bronze Funnel	571.00
-6	Vandal Proof	196.50	-F6-1	6" Round Nickel Bronze Funnel	834.50
-7	Trap Primer Tapping	201.00	-G-50	4x9" Oval Cast Iron Funnel	564.50
-8	Ball Float Backwater Valve (2,3,4" only)	503.50	-G-1	4x9" Oval Nickel Bronze Funnel	1,164.00
-13	All Galvanized (unless other top specified)	2,617.00	-S0	Side Outlet (2, 3, 4" Only)	449.00
-21	Secondary Strainer	90.50			

Consult factory for all applications outside of listed parameters.

Prices do not include applicable taxes.

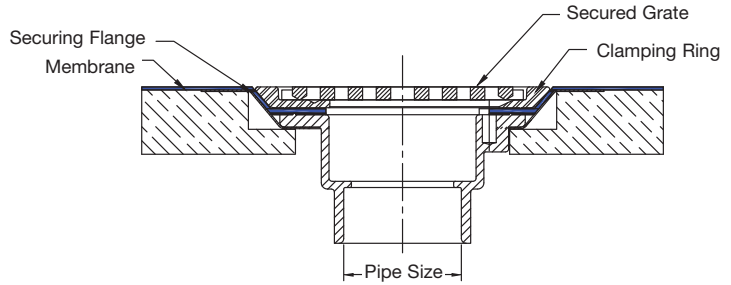


# Specialty Drains

**FD-370**

**Wood Deck Drain w/Surface Membrane Clamp**

Model Number	Weight (lbs.)	Grate Size	Outlet Size	Grate	List Price
FD-372	4	5"	2" ABS	aluminum	\$546.50



**Typical Installation**

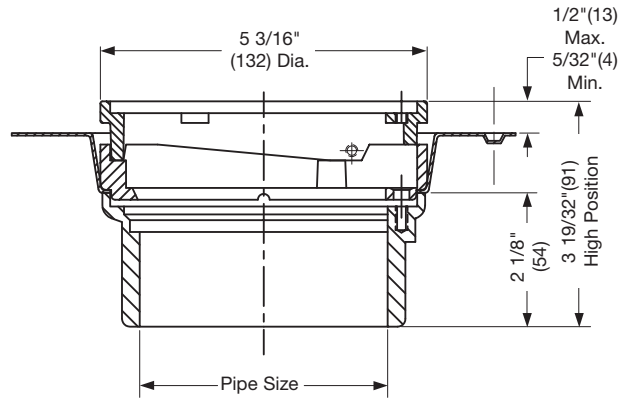
**Options for FD-370 Series:**

Suffix	Description	List Price
-6	Vandal Proof	\$67.50

**FD-380**

**Adjustable Wood Floor Drain**

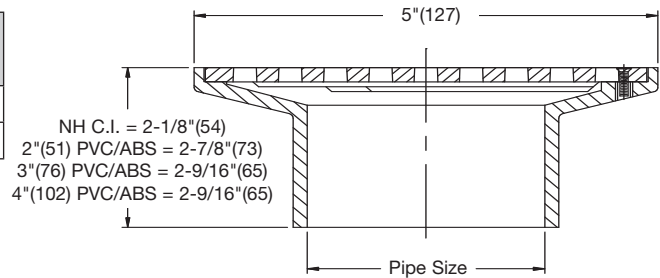
Model Number	Weight (lbs.)	Grate Size	Outlet Size	Grate	List Price
FD-382,3,4	7	5"	2,3,4"	nickel bronze	\$816.50



**FD-390-E**

**General Purpose Floor Drain**

Model Number	Weight (lbs.)	Grate Size	Outlet Size	Grate	List Price
FD-392,3,4-E	5	5"	2,3,4"	ductile iron	\$251.50
FD-392,3,4-E-1	5	5"	2,3,4"	nickel bronze	310.50



**Options for FD-380 Series:**

Suffix	Description	List Price	Suffix	Description	List Price
None	No Hub	No Add	-F4-1	4" Round Bronze Funnel	\$571.00
-6	Vandal Proof	\$72.75	-F6-1	6" Round Nickel Bronze Funnel	834.50
-60	PVC Body w/Socket Outlet (2,3,4,6" Only)	No Add	G-50	4x9" Oval Cast Iron Funnel	564.50
-61	ABS Body w/Socket Outlet	No Add	G-1	4x9" Oval Nickel Bronze Funnel	1,164.00
-E	5/16 Stackable Strainer Extension	110.50			
-F4-50	4" Round Cast Iron Funnel	292.00			



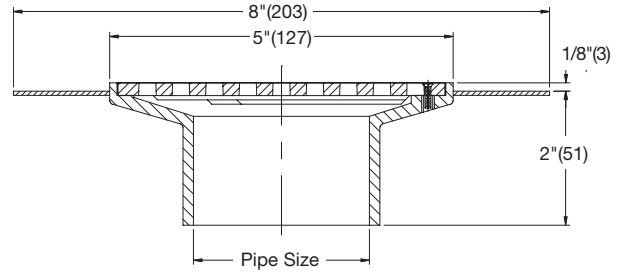
Consult factory for all applications outside of listed parameters.  
Prices do not include applicable taxes.

# Specialty Drains

**FD-390-E-63**

**Floor Drain for Wooden Floors**

Model Number	Weight (lbs.)	Grate Size	Outlet Size	Grate	List Price
FD-392,3,4-E-63	7	5"	2,3,4"	nickel bronze	\$593.00



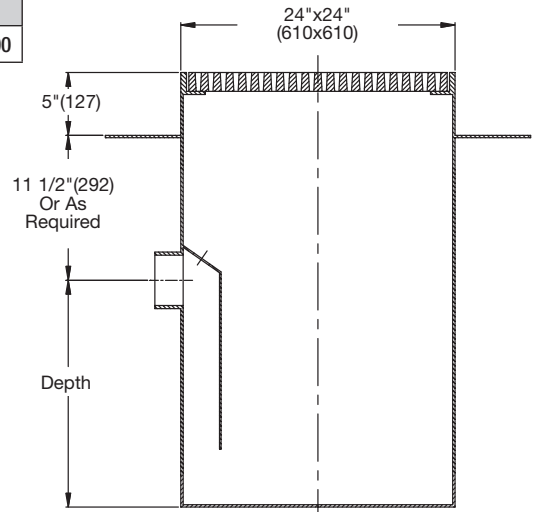
## Options for FD-390-E, FD-390-E-63 Series

Suffix	Description	List Price	Suffix	Description	List Price
-None	No Hub	No Add	-F4-1	4" Round Nickel Bronze Funnel	\$571.00
-6	Vandal Proof	\$72.75	-F6-1	6" Round Nickel Bronze Funnel	834.50
-60	PVC Body w/Socket Outlet	No Add	-G-50	4x9" Oval Cast Iron Funnel	564.50
-61	ABS Body w/Socket Outlet	No Add	-G-1	4X9" Oval Nickel Bronze Funnel	1,164.00
-F4-50	4" Round Cast Iron Funnel	239.50			

**FD-410**

**Large Capacity Bottom Outlet Offset Parking Area Drain**

Model Number	Weight (lbs.)	Grate Size	Outlet Size	Grate	List Price
FD-413,4,6 (A,B,C,D,E)	800	20x20 1/2"	3,4,6"	cast iron	\$13,243.00



## Options for FD-410 Series

Suffix	Description	List Price
-6	Vandal Proof	\$249.50
-Q	Special Dimension	P.O.A.
-SI	Side Inlet Connection	825.50
-ST	Solid Top	No Add
-T	Threaded Outlet	355.50

Consult factory for all applications outside of listed parameters.

Prices do not include applicable taxes.



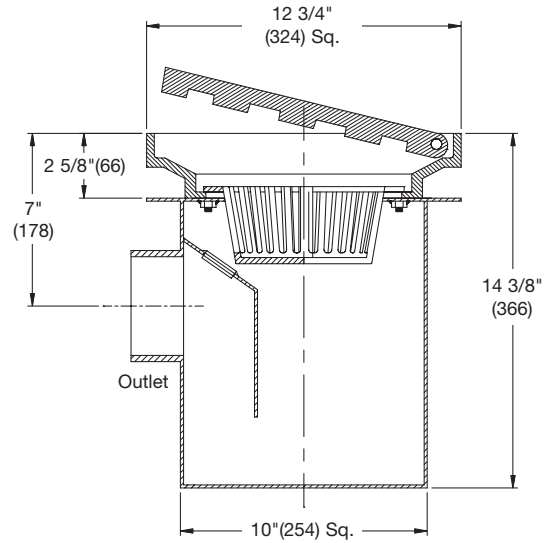


# Area Drains

**FD-430**

**Side Outlet Area Drain with Hinged Grate**

Model Number	Weight (lbs.)	Grate Size	Outlet Size	Grate	List Price
FD-432,3,4	63	12 1/2" Sq.	2,3,4"	ductile iron	\$2,917.00
FD-432,3,4-1	63	12 1/2" Sq.	2,3,4"	nickel bronze	4,366.00



**Options for FD-430 Series**

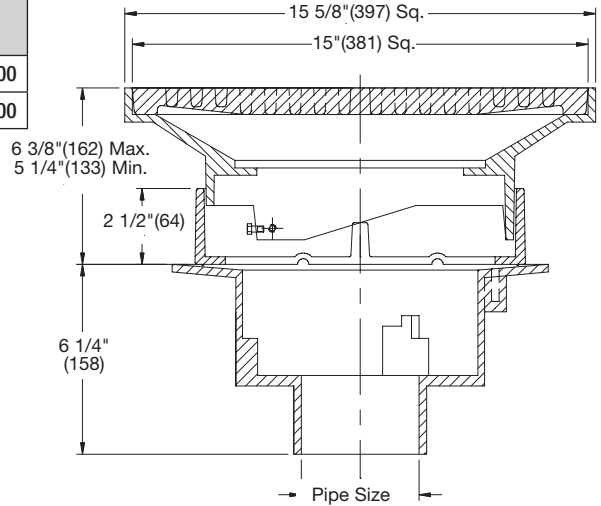
Suffix	Description	List Price
-6	Vandal Proof	\$196.50
-T	Threaded Outlet	355.50

**FD-450**

**Area Drain with 15" x 15" Adjustable Top**



Model Number	Weight (lbs.)	Grate Size	Outlet Size	Grate	List Price
FD-452,3,4,5,6,8	120	15" (381) Sq.	2,3,4,5,6,8"	ductile iron	\$3,847.00
FD-452,3,4,5,6,8-1	120	15 1/2" (394) Sq.	2,3,4,5,6,8"	nickel bronze	6,160.00



**Options for FD-450, FD-450-F Series:**

Suffix	Description	List Price	Suffix	Description	List Price
None	No Hub	No Add	-34	Closure Plug	\$162.00
P	Push-On (2,3,4,6" Only)	No Add	-60	PVC Body w/Socket Outlet (2,3,4,6" Only)	No Add
T	Threaded Outlet (2,3,4,6" Only)	\$108.00	-61	ABS Body w/Socket Outlet (2,3,4" Only)	No Add
X	Inside Caulk Outlet (2,3,4,6" Only)	No Add	-F4-50	4" Round Cast Iron Funnel	239.50
-5	Sediment Bucket	342.50	-F4-1	4" Round Nickel Bronze Funnel	571.00
-6	Vandal Proof	196.50	-F6-1	6" Round Nickel Bronze Funnel	834.50
-7	Trap Primer Tapping	201.00	-G-50	4x9" Oval Cast Iron Funnel	564.50
-8	Ball Float Backwater Valve (2,3,4" only)	503.50	-G-1	4x9" Oval Nickel Bronze Funnel	1,164.00
-9	Hinged Grate	365.00	-S0	Side Outlet	449.00
-13	All Galvanized (unless other top specified)	2,617.00			
-21	Secondary Strainer	90.50			



Consult factory for all applications outside of listed parameters.  
Prices do not include applicable taxes.

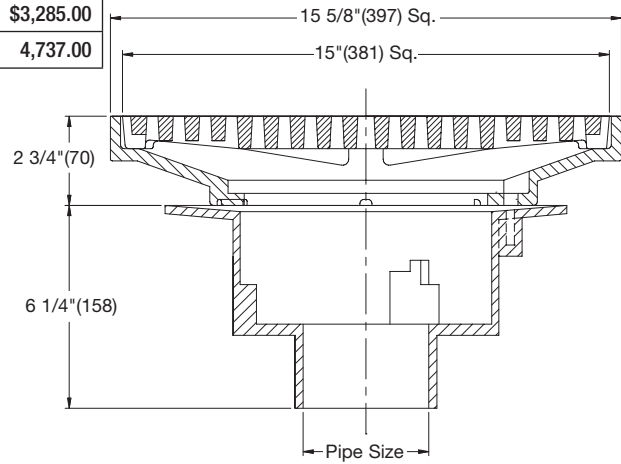
# Area Drains

**FD-450-F**

**Area Drain with 15" x 15" Fixed Top**



Model Number	Weight (lbs.)	Grate Size	Outlet Size	Grate	List Price
FD-452,3,4,5,6,8-F	120	15"(381) Sq.	2,3,4,5,6,8"	ductile iron	\$3,285.00
FD-452,3,4,5,6,8-1-F	120	15 1/2"(394) Sq.	2,3,4,5,6,8"	nickel bronze	4,737.00

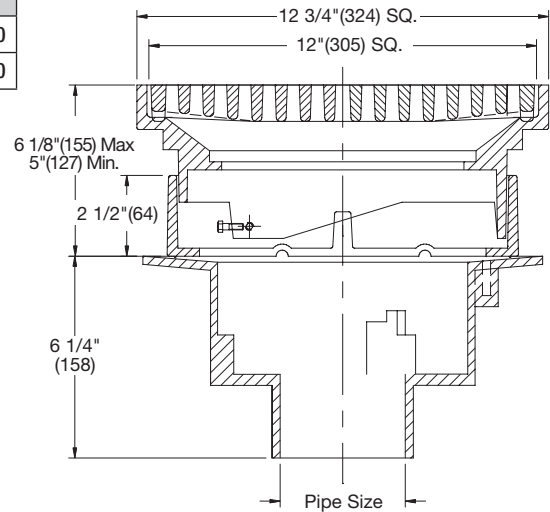


**FD-460**

**Area Drain with 12" Square Adjustable Top**



Model Number	Weight (lbs.)	Grate Size	Outlet Size	Grate	List Price
FD-462,3,4,5,6,8	70	12"(305)	2,3,4,5,6,8"	ductile iron	\$2,547.00
FD-462,3,4,5,6,8-1	70	12 1/2"(318).	2,3,4,5,6,8"	nickel bronze	6,366.00



**Options for FD-450, FD-450-F Series:**

Suffix	Description	List Price	Suffix	Description	List Price
None	No Hub	No Add	-34	Closure Plug	\$162.00
P	Push-On (2,3,4,6" Only)	No Add	-60	PVC Body w/Socket Outlet (2,3,4,6" Only)	No Add
T	Threaded Outlet (2,3,4,6" Only)	\$108.00	-61	ABS Body w/Socket Outlet (2,3,4" Only)	No Add
X	Inside Caulk Outlet (2,3,4,6" Only)	No Add	-F4-50	4" Round Cast Iron Funnel	239.50
-5	Sediment Bucket	342.50	-F4-1	4" Round Nickel Bronze Funnel	571.00
-6	Vandal Proof	196.50	-F6-1	6" Round Nickel Bronze Funnel	834.50
-7	Trap Primer Tapping	201.00	-G-50	4x9" Oval Cast Iron Funnel	564.50
-8	Ball Float Backwater Valve (2,3,4" only)	503.50	-G-1	4x9" Oval Nickel Bronze Funnel	1,164.00
-9	Hinged Grate	365.00	-S0	Side Outlet	449.00
-13	All Galvanized (unless other top specified)	2,617.00			
-21	Secondary Strainer	90.50			

Consult factory for all applications outside of listed parameters.

Prices do not include applicable taxes.



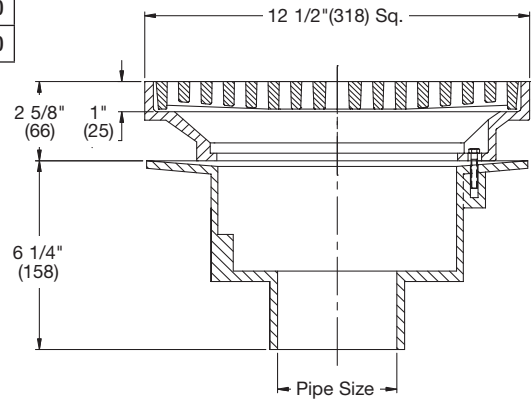
# Area Drains

**FD-460-F**

**Area Drain with 12" Square Fixed Top**



Model Number	Weight (lbs.)	Grate Size	Outlet Size	Grate	List Price
FD-462,3,4,5,6,8-F	85	12"(305) Sq.	2,3,4,5,6,8"	ductile iron	\$1,988.00
FD-462,3,4,5,6,8-F-1	85	12 1/2"(318) Sq.	2,3,4,5,6,8"	nickel bronze	3,702.00



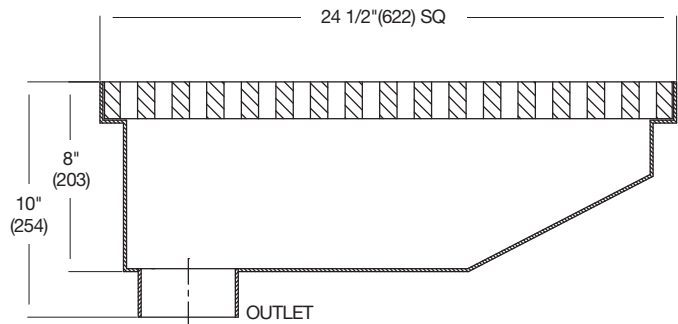
**Options for FD-460, 460-F Series:**

Suffix	Description	List Price	Suffix	Description	List Price
None	No Hub	No Add	-34	Closure Plug	\$162.00
P	Push-On (2,3,4,6" Only)	No Add	-60	PVC Body w/Socket Outlet (2,3,4,6" Only)	No Add
T	Threaded Outlet (2,3,4,6" Only)	\$108.00	-61	ABS Body w/Socket Outlet (2,3,4" Only)	No Add
X	Inside Caulk Outlet (2,3,4,6" Only)	No Add	-F4-50	4" Round Cast Iron Funnel	239.50
-5	Sediment Bucket	342.50	-F4-1	4" Round Nickel Bronze Funnel	571.00
-6	Vandal Proof	196.50	-F6-1	6" Round Nickel Bronze Funnel	834.50
-7	Trap Primer Tapping	201.00	-G-50	4x9" Oval Cast Iron Funnel	564.50
-8	Ball Float Backwater Valve (2,3,4" only)	503.50	-G-1	4x9" Oval Nickel Bronze Funnel	1,164.00
-9	Hinged Grate	365.00	-S0	Side Outlet (2,3,4" Only)	449.00
-13	All Galvanized (unless other top specified)	1,184.00			
-21	Secondary Strainer	90.50			

**FD-530**

**Large Capacity Bottom Outlet Offset Parking Area Drain**

Model Number	Weight (lbs.)	Grate Size	Outlet Size	Grate	List Price
FD-533,4,6,8	400	24" Sq.	3,4,6,8" NH	ductile iron	\$15,021.00



**Options for FD-530 Series**

Suffix	Description	List Price
-5	Sediment Bucket	\$1,139.00
-6	Vandal Proof Grate	610.00
-38	Solids Retaining Baffle	774.00
-C	Membrane Clamp	1,460.00
-T	Threaded Outlet	355.50



Consult factory for all applications outside of listed parameters.  
Prices do not include applicable taxes.

# Isolation Drains

## FD-600

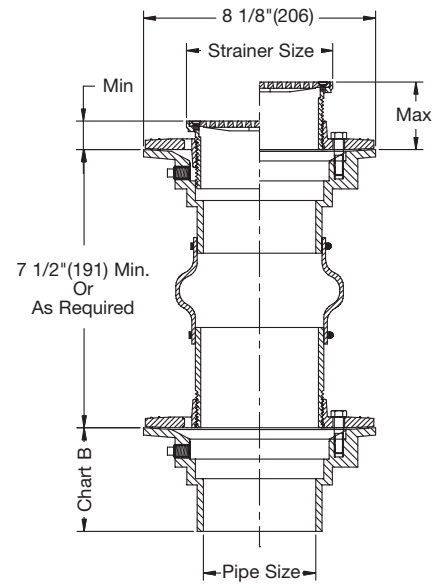
## Isolation Floor Drain

Model Number	Weight (lbs.)	Strainer Size	Pipe Size	Strainer	List Price
FD-602, 3, 4-A5	17	5"	2,3,4"	nickel bronze	\$1,766.00
FD-602, 3, 4-A6	17.5	6"	2,3,4"	nickel bronze	1,909.00
FD-602, 3, 4-A8	23	8"	2,3,4"	nickel bronze	2,259.00



Chart A		
Str. Dia.	Min.	Max.
5"	13/16"	3 1/4"
6"	7/8"	3 3/8"
8"	7/8"	3 3/4"

Chart B					
Pipe Size	No Hub	Push On	Female Thread	Inside Caulk	PVC/ABS
2"	3 5/8"	3 5/8"	4 1/4"	4 1/4"	3 3/4"
3"	3 5/8"	4"	4 1/4"	4 1/4"	3 5/8"
4"	3 5/8"	4"	4 1/4"	4 1/4"	3 7/8"



See FD-100 Options on page 17.

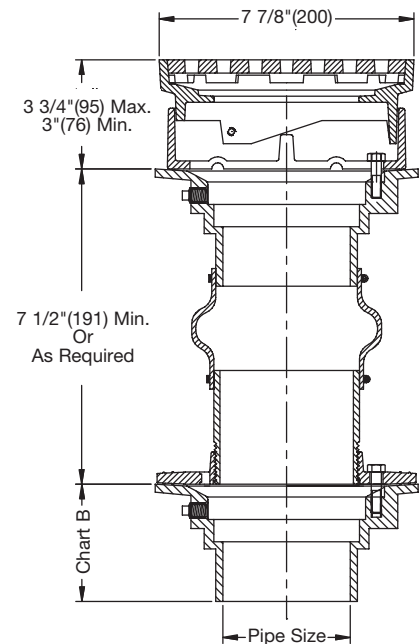
## FD-620

## Isolation Area Drain

Model Number	Weight (lbs.)	Str. Size	Pipe Size	Strainer	List Price
FD-622, 3, 4	25	8"	2, 3, 4"	ductile iron	\$2,247.00
FD-622, 3, 4-1	25	8"	2, 3, 4"	nickel bronze	2,967.00



Chart B					
Pipe Size	No Hub	Push On	Female Thread	Inside Caulk	PVC/ABS
2"	3 5/8"	3 5/8"	4 1/4"	4 1/4"	3 3/4"
3"	3 5/8"	4"	4 1/4"	4 1/4"	3 5/8"
4"	3 5/8"	4"	4 1/4"	4 1/4"	3 7/8"



See FD-320 Options on page 40.

Consult factory for all applications outside of listed parameters.

Prices do not include applicable taxes.

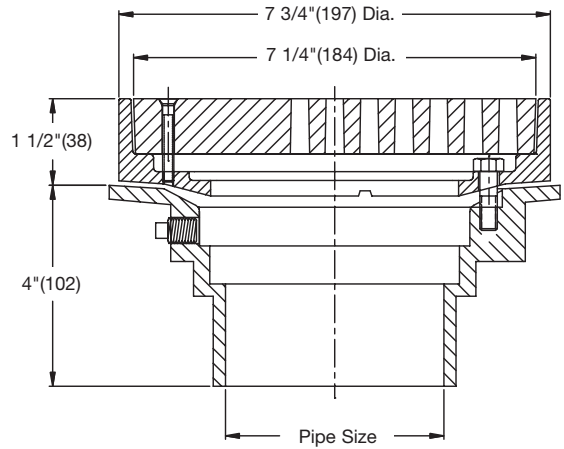


# Area Drains

**FD-660**

**PVC Area Drain with 7" Fixed Top**

Model Number	Weight (lbs.)	Str. Size	Pipe Size	Strainer	List Price
FD-662, 3, 4	7	7"	2,3,4"	PVC	\$680.50



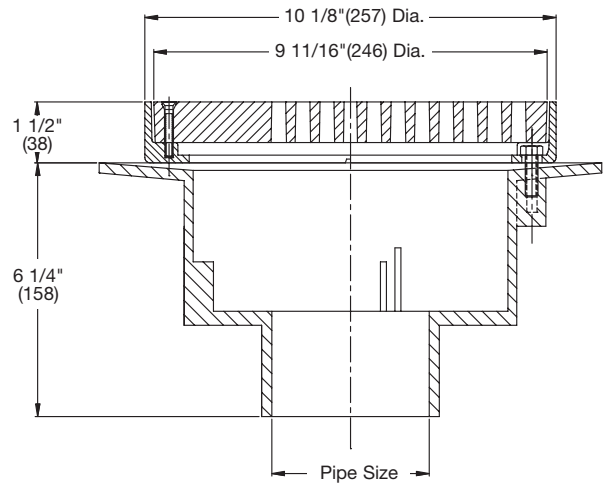
**Options for FD-660 Series:**

Suffix	Description	List Price	Suffix	Description	List Price
-5	Sediment Bucket	\$185.00	-F4-50	4" Round CI Funnel	\$239.50
-6	Vandal Proof	No Add	-F4-1	4" Round NB Funnel	571.00
-7	Trap Primer Tapping	No Add	-F6-1	6" Round NB Funnel	834.50
-34	Closure Plug	162.00	-G-50	4x9" Oval CI Funnel	564.50
-61	ABS Body w/Socket Outlet (2, 3, 4" only)	No Add	-G-1	4x9" Oval NB Funnel	1,164.00
-150	1/2 Grate	No Add			

**FD-670**

**PVC Area Drain with 10" Fixed Top**

Model Number	Weight (lbs.)	Str. Size	Pipe Size	Strainer	List Price
FD-672, 3, 4	8	10"	2,3,4"	PVC	\$1,135.00



**Options for FD- 670 Series:**

Suffix	Description	List Price	Suffix	Description	List Price
-5	Sediment Bucket	\$275.50	-F4-50	4" Round CI Funnel	\$239.50
-6	Vandal Proof	No Add	-F4-1	4" Round NB Funnel	571.00
-26	Sand Bucket	275.50	-F6-1	6" Round NB Funnel	834.50
-34	Closure Plug	162.00	-G-50	4x9" Oval Cast Iron Funnel	564.50
-61	ABS Body w/Socket Outlet (2, 3, 4" Only)	No Add	-G-1	4x9" Oval NB Funnel	1,164.00
-150	1/2 Grate	No Add			



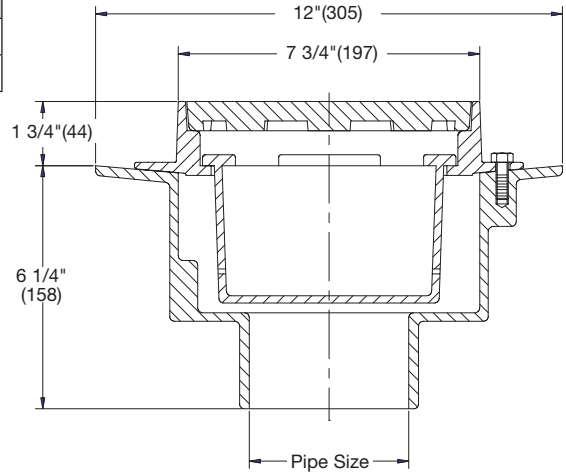
Consult factory for all applications outside of listed parameters.  
Prices do not include applicable taxes.

# Specialty Floor Drains

**FD-810**

**Iowa Garage Drain**

Model Number	Weight (lbs.)	Str. Size	Pipe Size	Strainer	List Price
FD-812, 3, 4, 5, 6, 8	14	8"	2, 3, 4, 5, 6, 8"	ductile iron	\$1,620.00
FD-812, 3, 4, 5, 6, 8-1	15	8"	2, 3, 4, 5, 6, 8"	nickel bronze	2,340.00



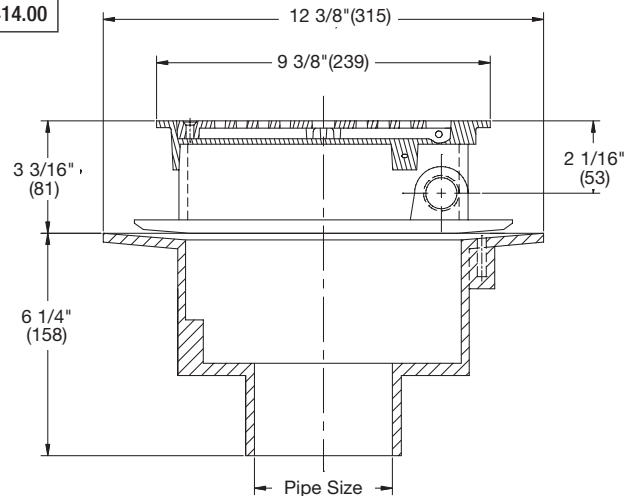
### Options for FD-810 Series

Suffix	Description	List Price
None	No Hub	No Add
P	Push-On Outlet (2,3,4,6" only)	No Add.
T	Threaded Outlet (2,3,4,6" only)	\$108.00
X	Inside Caulk Outlet (2,3,4,6" only)X	No Add
-6	Vandal Proof	196.50
-7	Trap Primer Tapping	201.00
-60	PVC Body w/Socket Outlet (2,3,4,6" only)	No Add
-61	ABS Body w/Socket Outlet (2,3,4" only)	No Add

**FD-820**

**Flushing Rim Floor Drain**

Model Number	Weight (lbs.)	Str. Size	Pipe Size	Strainer	List Price
FD-822, 3, 4	30	9 1/2"	2, 3, 4"	nickel bronze	\$3,414.00



### Options for FD-820 Series

Suffix	Description	List Price
None	No Hub	No Add
P	Push-On Outlet (2,3,4,6" only)	No Add.
T	Threaded Outlet (2,3,4,6" only)	\$108.00
X	Inside Caulk Outlet (2,3,4,6" only)	No Add
-5	Sediment Bucket	342.50
-6	Vandal Proof	196.50

Consult factory for all applications outside of listed parameters.

Prices do not include applicable taxes.

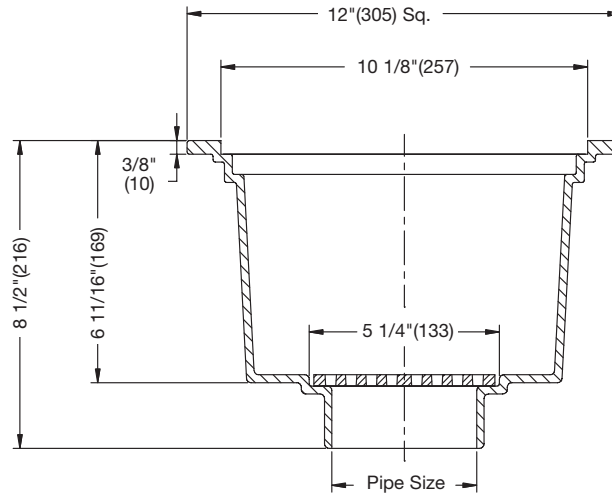


# Specialty Floor Drains

**FD-830**

**Hopper Drain**

Model Number	Weight (lbs.)	Str. Size	Pipe Size	Material	List Price
FD-832, 3, 4	27	5 1/4"	2,3,4"	cast iron	\$1,072.00



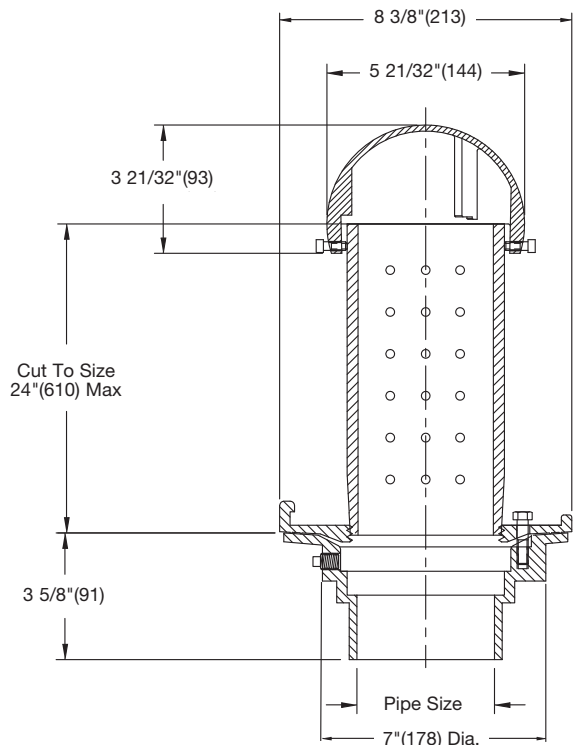
### Options for FD-830 Series

Suffix	Description	List Price
-1	Nickel Bronze Top	\$532.00
-5	Sediment Bucket	319.50
-7	Trap Primer Tapping	201.00
-TG	Top Grate - Ductile Iron	260.00

**FD-850**

**Planting Area Drain with Dome Cap**

Model Number	Weight (lbs.)	Str. Type	Pipe Size	List Price
FD-852, 3, 4	11	Domed Standpipe	2,3,4"	\$1,686.00



### Options for FD-850 Series

Suffix	Description	List Price
P	Push On	No Add
-13	All Galvanized (unless other top specified)	\$522.00
-60	PVC Body w/Socket Outlet	No Add
-61	ABS Body w/Socket Outlet	No Add
-B	Sump Receiver	342.50
-D	Underdeck Clamp	199.00
-F	Deck Flange/Adj. Extension	666.50
-SO	Side Outlet	292.00
-T	Threaded Outlet	108.00



Consult factory for all applications outside of listed parameters.  
Prices do not include applicable taxes.

# Specialty Floor Drains

**FD-860**

**Planting Area Drain with Screened Dome**



Model Number	Weight (lbs.)	Str. Size	Pipe Size	Strainer	List Price
FD-862, 3, 4	25	8 1/2" Dome	2,3,4"	alum. w/SS mesh	\$1,242.00

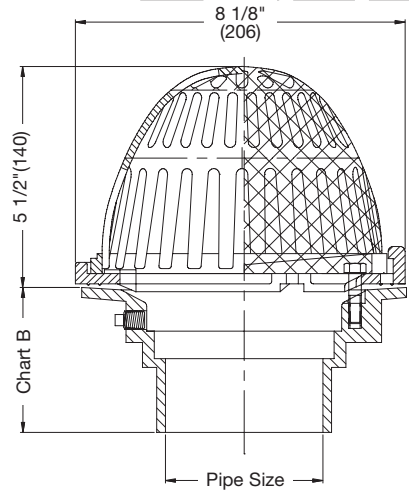


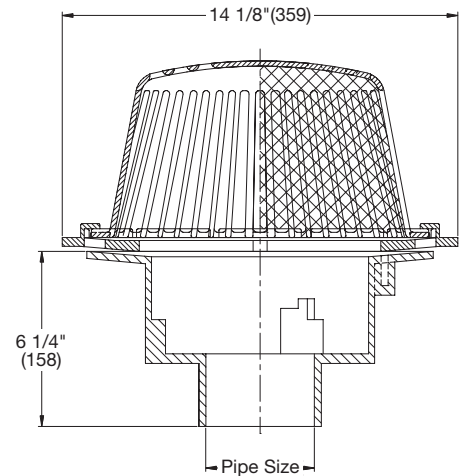
Chart B					
Pipe Size	No Hub	Push On	Female Thread	Inside Caulk	PVC/ABS
2"	3 5/8"	3 5/8"	4 1/4"	4 1/4"	2 3/4"
3"	3 5/8"	4"	4 1/4"	4 1/4"	3 5/8"
4"	3 5/8"	4"	4 1/4"	4 1/4"	3 7/8"
6"	3 1/2"	-	-	-	-

**FD-870**

**Large Planting Area Drain with Screened Dome**



Model Number	Weight (lbs.)	Str. Size	Pipe Size	Dome	List Price
FD-872, 3, 4, 6	50	8 1/2" Dome	2,3,4"	alum. w/SS mesh	\$1,455.00



### Options for FD-860/870 Series:

Suffix	Description	List Price	Suffix	Description	List Price
None	No Hub	No Add	-13	Galvanized Body and Clamp	\$522.00
P	Push-On Outlet	No Add	-60	PVC Body w/Socket Outlet (2,3,4,6" only)	No Add
T	Threaded Outlet	\$108.00	-61	ABS Body w/Socket Outlet (2,3,4" only)	No Add
X	Inside Caulk Outlet	No Add	-81	Bronze Dome	976.50
-6	Vandal Proof Dome	153.00	-S0	Side Outlet	449.00

Consult factory for all applications outside of listed parameters.

Prices do not include applicable taxes.



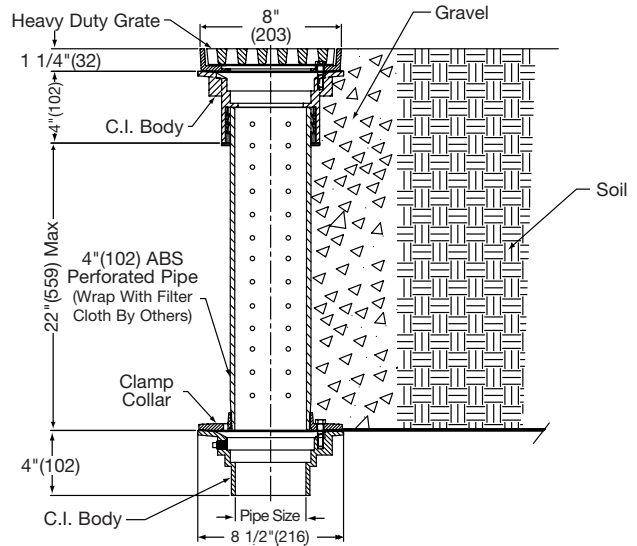


# Specialty Floor Drains

**FD-880**

**Ground Water Containment Drain**

Model Number	Weight (lbs.)	Str. Size	Pipe Size	Strainer	List Price
FD-882, 3, 4,	34	8"	2,3,4"	ductile iron	\$2,007.00
FD-882, 3, 4-1	34	8"	2, 3, 4"	nickel bronze	2,727.00



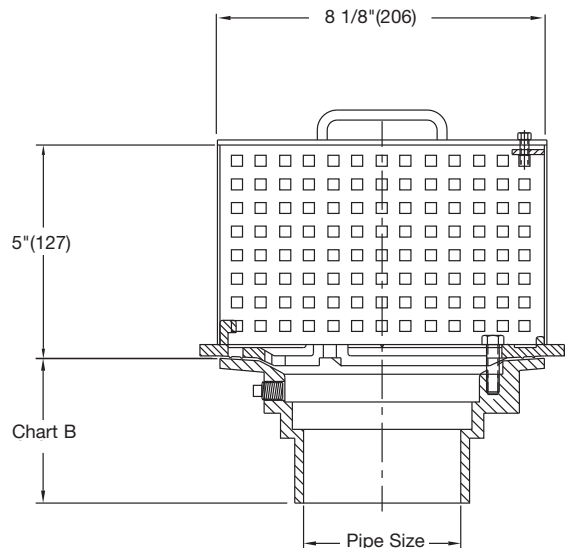
**Options for FD-880 Series:**

Suffix	Description	List Price	Suffix	Description	List Price
None	No Hub	No Add	-6	Vandal Proof	\$196.50
P	Push-On Outlet	No Add	-7	Trap Primer Tapping	No Add
T	Threaded Outlet	\$108.00	-21	Secondary Strainer	90.50
X	Inside Caulk Outlet	No Add	-S0	Side Outlet (2,3,4" only)	292.00
-5	Sediment Bucket	185.00			

**FD-890**

**Planter Drain with Removable Cover**

Model Number	Weight (lbs.)	Pipe Size	Cover	List Price
FD-892, 3, 4,	14	2,3,4"	Stainless Steel	\$1,870.00



**Options for FD-890 Series**

Suffix	Description	List Price
None	No Hub Outlet	No Add
P	Push-On Outlet	No Add
T	Threaded Outlet	\$108.00
X	Inside Caulk	No Add
-13	Galvanized Body and Clamp	262.00
-S0	Side Outlet	292.00



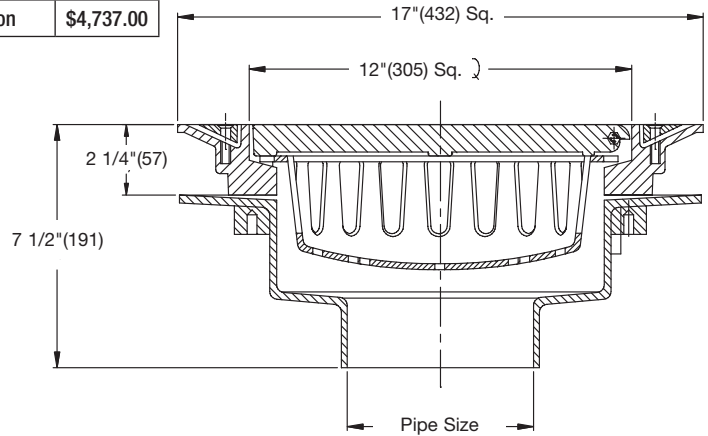
Consult factory for all applications outside of listed parameters.  
Prices do not include applicable taxes.

# Parking Deck Drains

**FD-490-F-4**

**Parking Structure Drain with Heavy Duty Grate and Bucket**

Model Number	Weight (lbs.)	Grate Size	Outlet Size	Grate	List Price
FD-493,4,5,6,8,10-F-4	112	12" Sq.	3,4,5,6,8,10"	ductile iron	\$4,737.00



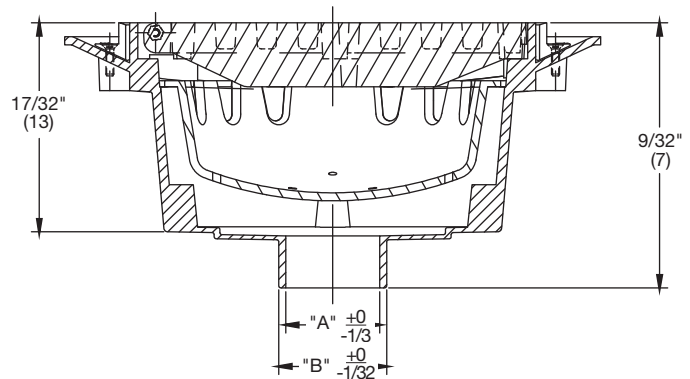
**Option for FD-490 Series:**

Suffix	Description	List Price
P	Push On	No Add
X	Inside Caulk	No Add
-6	Vandal Proof	\$196.50
-13	Galvanized	1,347.00

**FD-490-F-80**

**Aluminum Parking Structure Drain with Heavy Duty Grate and Bucket**

Model Number	Weight (lbs.)	Grate Size	Outlet Size	Grate	List Price
FD-493, 4, 6, 8, -F-80	112	12" Sq.	3,4,6,8,"	aluminum	\$4,834.00



**Option for FD-490 Series:**

Suffix	Description	List Price
-6	Vandal Proof	\$196.50
-13	Galvanized	1,347.00

Consult factory for all applications outside of listed parameters.

Prices do not include applicable taxes.

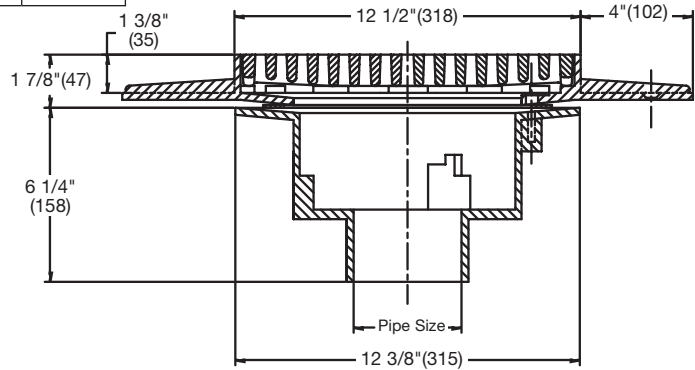


# Parking Deck Drains

**FD-900**

**Parking Deck Drain for Precast Slabs**

Model Number	Weight (lbs.)	Cover Size	Pipe Size	Grate	List Price
FD-902, 3, 4, 5, 6, 8	62	12"	2, 3, 4, 5, 6, 8"	ductile iron	\$3,111.00



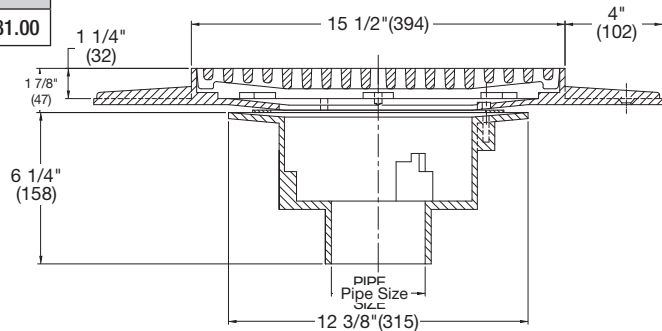
**Options for FD-900/910 Series:**

Suffix	Description	List Price
None	No Hub	No Add
P	Push-On Outlet (2, 3, 4, 6" only)	No Add
T	Threaded Outlet (2, 3, 4, 6" only)	\$108.00
X	Inside Caulk Outlet (2, 3, 4, 6" only)	No Add
-5	Sediment Bucket	252.00
-6	Vandal Proof	196.50
-13	Galvanized	1,347.00
D	Underdeck Clamp	321.50

**FD-910**

**Parking Deck Drain For Precast Slabs**

Model Number	Weight (lbs.)	Cover Size	Pipe Size	Grate	List Price
FD-912, 3, 4, 5, 6, 8	76	15"	2, 3, 4, 5, 6, 8,"	ductile iron	\$3,881.00



**Options for FD-900/910 Series:**

Suffix	Description	List Price
None	No Hub	No Add
P	Push-On Outlet (2, 3, 4, 6" only)	No Add
T	Threaded Outlet (2, 3, 4, 6" only)	\$108.00
X	Inside Caulk Outlet (2, 3, 4, 6" only)	No Add
-5	Sediment Bucket	252.00
-6	Vandal Proof	196.50
-13	Galvanized	1,347.00
D	Underdeck Clamp	321.50



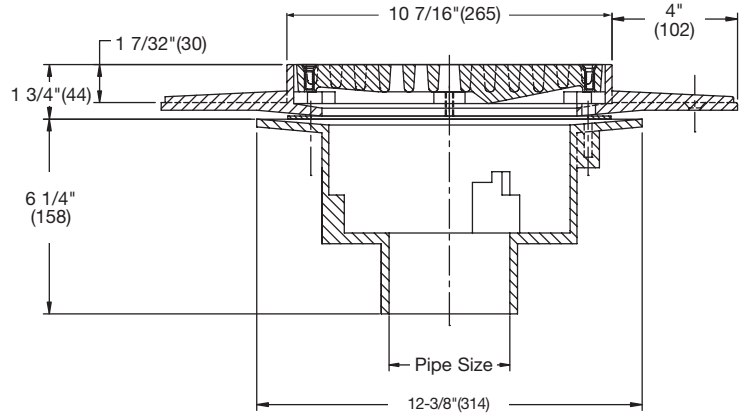
Consult factory for all applications outside of listed parameters.  
Prices do not include applicable taxes.

# Parking Deck Drains

**FD-920**

**Parking Deck Drain For Precast Slabs**

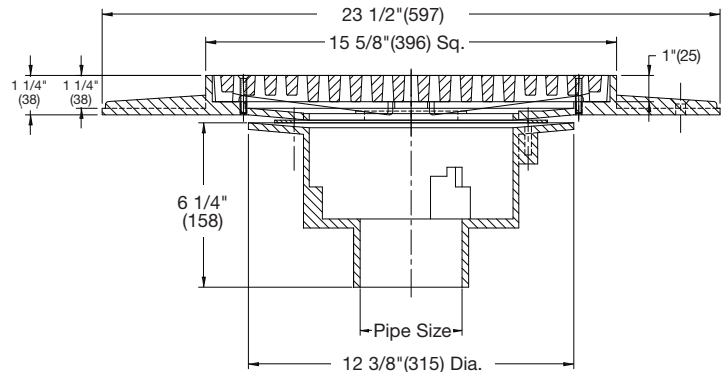
Model Number	Weight (lbs.)	Cover Size	Pipe Size	Grate	List Price
FD-922, 3, 4, 5, 6, 8	48	10"	2, 3, 4, 5, 6, 8,"	ductile iron	\$1,497.00



**FD-930**

**Parking Deck Drain For Precast Slabs**

Model Number	Weight (lbs.)	Cover Size	Pipe Size	Grate	List Price
FD-932, 3, 4, 5, 6, 8	85	15" Sq.	2, 3, 4, 5, 6, 8,"	ductile iron	\$4,079.00



### Options for FD-930 Series:

Suffix	Description	List Price
None	No Hub	No Add
P	Push-On Outlet (2, 3, 4, 6" only)	No Add
T	Threaded Outlet (2, 3, 4, 6" only)	\$108.00
X	Inside Caulk Outlet (2, 3, 4, 6" only)	No Add
-5	Sediment Bucket	252.00
-6	Vandal Proof	196.50
-13	Galvanized	1,347.00
D	Underdeck Clamp	321.50

Consult factory for all applications outside of listed parameters.

Prices do not include applicable taxes.



# Floor Drains with Stainless Steel Strainers

## FD-1100-A Floor Drain with Round Stainless Steel Strainer



Model Number	Weight (lbs.)	Str. Size	Pipe Size	Strainer	List Price
FD-1102,3,4-A5	11	5"	2,3,4"	stainless steel	\$954.00
FD-1102,3,4-A6	12.5	6"	2,3,4"	stainless steel	1,153.00
FD-1102,3,4-A8	16	8"	2,3,4"	stainless steel	1,581.00

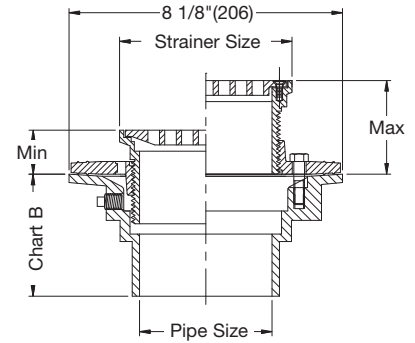


Chart A		
Strainer	Min.	Max.
5"	13/16"	3 1/4"
6"	7/8"	3 3/8"
8"	7/8"	3 1/4"

Chart B					
Pipe Size	No Hub	Push On	Female Thread	Inside Caulk	PVC/ABS
2"	3 5/8"	4 1/4"	4 1/4"	4 1/2"	4"
3"	3 5/8"	4 1/4"	4 1/4"	4 1/2"	4"
4"	3 5/8"	4 1/4"	4 1/4"	4 1/2"	4"
6"	3 1/2"	-	-	-	-

## FD-1100-A-LR Floor Drain with Ligature Resistant Round Strainer

Model Number	Weight (lbs.)	Str. Size	Pipe Size	Strainer	List Price
FD-1102, 3, 4-A5-LR	11	5"	2,3,4"	stainless steel	\$3,163.00
FD-1102, 3, 4-A6-LR	12.5	6"	2,3,4"	stainless steel	3,457.00
FD-1102, 3, 4-A8-LR	16	8"	2,3,4"	stainless steel	4,944.00

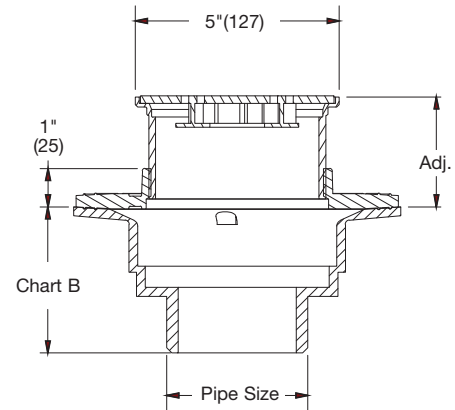


Chart A		
Strainer	Min.	Max.
5"	13/16"	2 1/2"
6"	7/8"	2 3/4"
8"	7/8"	3 1/4"

Chart B					
Pipe Size	No Hub	Push On	Female Thread	Inside Caulk	PVC/ABS
2"(51)	3 5/8"(92)	4 1/4"(108)	4 1/4"(108)	4 1/2"(114)	4"(102)
3"(76)	3 5/8"(92)	4 1/4"(108)	4 1/4"(108)	4 1/2"(114)	4"(102)
4"(102)	3 5/8"(92)	4 1/4"(108)	4 1/4"(108)	4 1/2"(114)	4"(102)
6"(152)	3 1/2"(89)	-	-	-	-

### Options for FD-1100-A / FD-1100-A-LR Series:

Suffix	Description	List Price	Suffix	Description	List Price
None	No Hub Outlet	No Add	-60	PVC Body w/Socket Outlet (2,3,4" only)	No Add
P	Push-On Outlet	No Add	-61	ABS Body w/Socket Outlet (2,3,4" only)	No Add
T	Threaded Outlet	\$108.00	-F4-3	4" Round SS Funnel (FD-1100-A Only)	\$730.00
X	Inside Caulk	No Add	-F4-50	4" Round Cast Iron Funnel (FD-1100-A Only)	239.50
None	6" Outlet No Hub Only	161.000	-F4-1	4" Round Nickel Bronze Funnel (FD-1100-A Only)	571.00
-5	Sediment Bucket	144.50	-F6-1	6" Round Nickel Bronze Funnel (FD-1100-A Only)	834.50
-6	Vandal Proof	72.75	-G-50	4x9" Oval Cast Iron Funnel (FD-1100-A Only)	564.50
-7	Trap Primer Tapping	No Add	-G-1	4x9" Oval Nickel Bronze Funnel (FD-1100-A Only)	1,164.00
-8	Ball Float Backwater Valve (2,3,4" only)	503.50	-SO	Side Outlet (2,3,4" only)	292.00
-13	Galvanized Body	258.50			
-15	Strainer Extension (DD-50)	189.00			
-28	304 SS Body and Collar (No Hub Only)	1,215.00			



Consult factory for all applications outside of listed parameters.  
Prices do not include applicable taxes.

# Adjustable Floor Drains with Stainless Steel Strainers

## FD-1100-B

### Floor Drain with Heavy Duty Round Stainless Steel Strainer



Model Number	Weight (lbs.)	Str. Size	Pipe Size	Strainer	List Price
FD-1102,3,4-B5	11	5"	2,3,4"	stainless steel	\$1,083.00
FD-1102,3,4-B6	12.5	6"	2,3,4"	stainless steel	1,286.00
FD-1102,3,4-B8	16	8"	2,3,4"	stainless steel	1,581.00

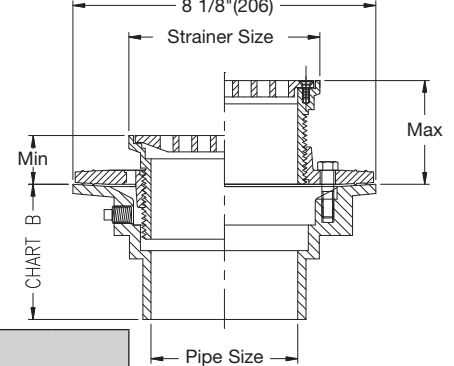


Chart A			Chart B					
Strainer	Min.	Max.	Pipe Size	No Hub	Push On	Female Thread	Inside Caulk	PVC/ABS
5"	13/16"	2 1/2"	2"	3 5/8"	3 5/8"	4 1/4"	4 1/4"	2 3/4"
6"	7/8"	2 3/4"	3"	3 5/8"	4"	4 1/4"	4 1/4"	3 5/8"
8"	7/8"	3 1/4"	4"	3 5/8"	4"	4 1/4"	4 1/4"	3 7/8"
			6"	3 1/2"	-	-	-	-

## FD-1100-ER

### Floor Drain with Stainless Steel Extended Rim Strainer

Model Number	Weight (lbs.)	Str. Size	Pipe Size	Strainer	List Price
FD-1102,3,4-ER7	11	7"	2,3,4"	stainless steel	\$1,710.00

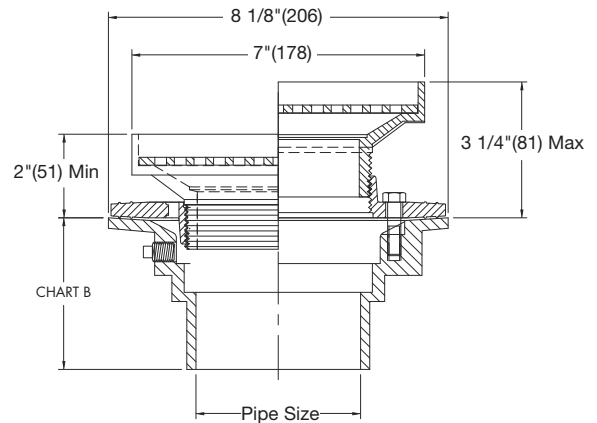


Chart B			
Pipe Size	No Hub	Push On	PVC/ABS
2"	4 3/4"	5 1/2"	4"
3"	4 3/4"	5 1/2"	4"
4"	4 3/4"	5 1/2"	4"

### Options for FD-1100 Series:

Suffix	Description	List Price	Suffix	Description	List Price
None	No Hub Outlet	No Add	-60	PVC Body w/Socket Outlet (2,3,4" only)	No Add
P	Push-On Outlet	No Add	-61	ABS Body w/Socket Outlet (2,3,4" only)	No Add
T	Threaded Outlet	\$108.00	-F4-3	4" Round SS Funnel	\$730.00
X	Inside Caulk	No Add	-F4-50	4" Round Cast Iron Funnel	239.50
None	6" Outlet No Hub Only	161.00	-F4-1	4" Round Nickel Bronze Funnel	571.00
-5	Sediment Bucket	144.50	-F6-1	6" Round Nickel Bronze Funnel	834.50
-6	Vandal Proof	72.75	-G-50	4x9" Oval Cast Iron Funnel	564.50
-7	Trap Primer Tapping	No Add	-G-1	4x9" Oval Nickel Bronze Funnel	1,164.00
-8	Ball Float Backwater Valve (2,3,4" only)	503.50	-SO	Side Outlet (2,3,4" only)	292.00
-13	Galvanized Body	258.50			
-15	Strainer Extension (DD-50)	189.00			
-28	304 SS Body and Collar (No Hub Only)	1,215.00			

Consult factory for all applications outside of listed parameters.

Prices do not include applicable taxes.



# Adjustable Floor Drains with Stainless Steel Strainers

## FD-1100-L

### Floor Drain with Heavy Duty Square Stainless Steel Strainer



Model Number	Weight (lbs.)	Str. Size	Pipe Size	Strainer	List Price
FD-1102,3,4-L5	10	5"x5"	2,3,4"	stainless steel	\$1,164.00
FD-1102,3,4-L6	14	6"x6"	2,3,4"	stainless steel	1,411.00
FD-1102,3,4-L8	16	8"x8"	2,3,4"	stainless steel	1,806.00

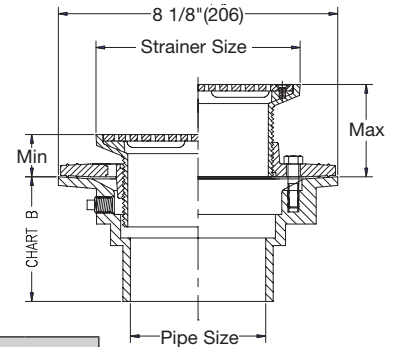


Chart A		
Strainer	Min.	Max.
5"x5"	7/8"	3 1/4"
6"x6"	1"	3 1/4"
8"x8"	1 3/8"	3 5/8"

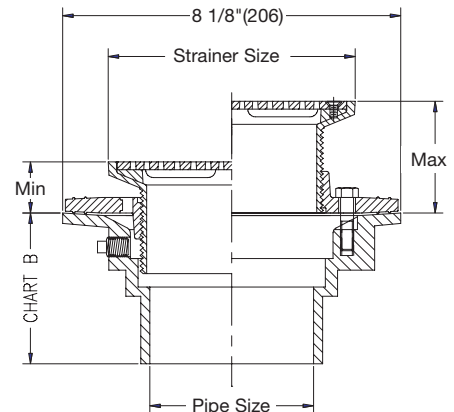
Chart B					
Pipe Size	No Hub	Push On	Female Thread	Inside Caulk	PVC/ABS
2"	3 5/8"	3 5/8"	4 1/4"	4 1/4"	2 3/4"
3"	3 5/8"	4"	4 1/4"	4 1/4"	3 5/8"
4"	3 5/8"	4"	4 1/4"	4 1/4"	3 7/8"
6"	3 1/2"	-	-	-	-

## FD-1100-M

### Floor Drain with Square Stainless Steel Strainer



Model Number	Weight (lbs.)	Str. Size	Pipe Size	Strainer	List Price
FD-1102,3,4-M5	11	5"x5"	2,3,4"	stainless steel	\$1,053.00
FD-1102,3,4-M6	12.5	6"x6"	2,3,4"	stainless steel	1,411.00
FD-1102,3,4-M8	16	8"x8"	2,3,4"	stainless steel	1,583.00



### Options for FD-1100 Series:

Suffix	Description	List Price	Suffix	Description	List Price
None	No Hub Outlet	No Add	-60	PVC Body w/Socket Outlet (2,3,4" only)	No Add
P	Push-On Outlet	No Add	-61	ABS Body w/Socket Outlet (2,3,4" only)	No Add
T	Threaded Outlet	\$108.00	-F4-3	4" Round SS Funnel	\$730.00
X	Inside Caulk	No Add	-F4-50	4" Round Cast Iron Funnel	239.50
None	6" Outlet No Hub Only	161.00	-F4-1	4" Round Nickel Bronze Funnel	571.00
-5	Sediment Bucket	144.50	-F6-1	6" Round Nickel Bronze Funnel	834.50
-6	Vandal Proof	72.75	-G-50	4x9" Oval Cast Iron Funnel	564.50
-7	Trap Primer Tapping	No Add	-G-1	4x9" Oval Nickel Bronze Funnel	1,164.00
-8	Ball Float Backwater Valve (2,3,4" only)	503.50	-SO	Side Outlet (2,3,4" only)	292.00
-13	Galvanized Body	258.50			
-15	Strainer Extension (DD-50)	189.00			
-28	304 SS Body and Collar (No Hub Only)	1,215.00			

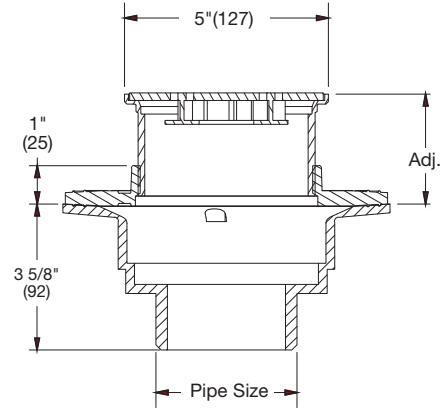


Consult factory for all applications outside of listed parameters.  
Prices do not include applicable taxes.

# Adjustable Floor Drains with Stainless Steel Strainers

## FD-1100-M-LR Floor Drain with Ligature Resistant Square Strainer

Model Number	Weight (lbs.)	Str. Size	Pipe Size	Strainer	List Price
FD-1102, 3, 4-M5-LR	11	5"	2,3,4"	stainless steel	\$3,450.00
FD-1102, 3, 4-M6-LR	12.5	6"	2,3,4"	stainless steel	3,521.00
FD-1102, 3, 4-M8-LR	16	8"	2,3,4"	stainless steel	4,426.00



Strainer	Min.	Max.
5"	13/16"	2 1/2"
6"	7/8"	2 3/4"
8"	1 3/8"	3 5/8"

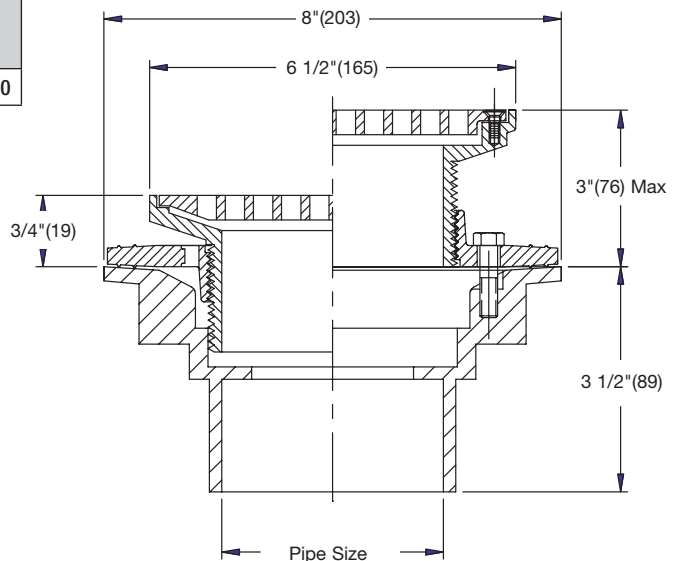
Pipe Size	No Hub	Push On	Female Thread	Inside Caulk	PVC/ABS
2"(51)	3 5/8"(92)	4 1/4"(108)	4 1/4"(108)	4 1/2"(114)	4"(102)
3"(76)	3 5/8"(92)	4 1/4"(108)	4 1/4"(108)	4 1/2"(114)	4"(102)
4"(102)	3 5/8"(92)	4 1/4"(108)	4 1/4"(108)	4 1/2"(114)	4"(102)
6"(152)	3 1/2"(89)	-	-	-	-

### Options for FD-1100-M-LR Series:

Suffix	Description	List Price	Suffix	Description	List Price
None	No Hub Outlet	No Add	-60	PVC Body w/Socket Outlet (2,3,4" only)	No Add
P	Push-On Outlet	No Add	-61	ABS Body w/Socket Outlet (2,3,4" only)	No Add
T	Threaded Outlet	\$108.00	-F4-3	4" Round SS Funnel	\$730.00
X	Inside Caulk	No Add	-F4-50	4" Round Cast Iron Funnel	239.50
None	6" Outlet No Hub Only	161.00	-F4-1	4" Round Nickel Bronze Funnel	571.00
-5	Sediment Bucket	144.50	-F6-1	6" Round Nickel Bronze Funnel	834.50
-6	Vandal Proof	72.75	-G-50	4x9" Oval Cast Iron Funnel	564.50
-7	Trap Primer Tapping	No Add	-G-1	4x9" Oval Nickel Bronze Funnel	1,164.00
-8	Ball Float Backwater Valve (2,3,4" only)	503.50	-SO	Side Outlet (2,3,4" only)	292.00
-13	Galvanized Body	258.50			
-15	Strainer Extension (DD-50)	189.00			
-28	304 SS Body and Collar (No Hub Only)	1,215.00			

## FD-1160 Chemical Resistant Floor Drain

Model Number	Weight (lbs.)	Str. Size	Pipe Size	Strainer	List Price
FD-1162,3,4	6	6 1/2"	2,3,4"	PVC	\$593.50



### Options for FD-1160 Series:

Suffix	Description	List Price
-5	Sediment Bucket	\$144.50
-6	Vandal Proof	72.75
-7	Trap Primer Tapping	No Add
-F4-1	4" Round Nickel Bronze Funnel	571.00
-F6-1	6" Round Nickel Bronze Funnel	834.50
-G-1	4x9" Oval Nickel Bronze Funnel	1,164.00

Consult factory for all applications outside of listed parameters.

Prices do not include applicable taxes.



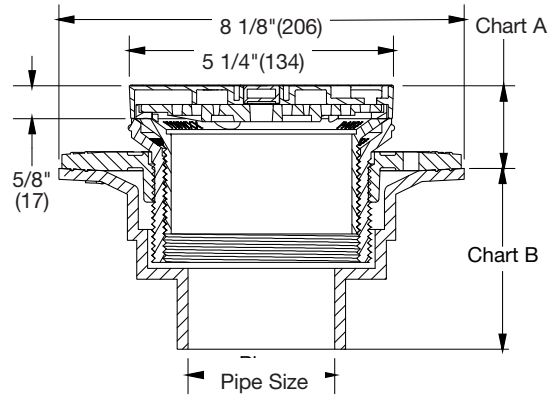


# Adjustable Floor Drains with Stainless Steel Strainers

**FD-1190-PR**

**Pronto!® Cast Iron Adjustable Floor Drain w/Integrated Level**

Model Number	Weight Lbs.	Str. Size	Outlet Size	Strainer	List Price
FD-1192, 3, 4-PR5	14	5"(127)	2, 3, 4"	stainless steel	\$1,067.00
FD-1192, 3, 4-PR6	16	6"(152)	2, 3, 4"	stainless steel	1,164.00
FD-1192, 3, 4-PR7	18	7"(178)	2, 3, 4"	stainless steel	1,413.00
FD-1192, 3, 4-PR8	21	8"(203)	2, 3, 4"	stainless steel	1,999.00
FD-1196-PR5	14	5"(127)	6"	stainless steel	2,035.00
FD-1196-PR6	16	6"(152)	6"	stainless steel	2,035.00
FD-1196-PR7	18	7"(178)	6"	stainless steel	2,168.00
FD-1196-PR8	21	8"(203)	6"	stainless steel	2,168.00



**Chart A**

Str. Size	Min.	Max.	Load Rating	Free Area Sq. In
5"(127)	1 3/4"(44)	4 1/4"(108)	MD	6 1/16"(154)
6"(152)	1 3/4"(44)	4 1/4"(108)	LD	10 3/4"(273)
7"(178)	1 7/8"(48)	4 3/8"(111)	LD	13 1/4"(337)
8"(203)	2"(51)	4 1/2"(114)	MD	19"(483)

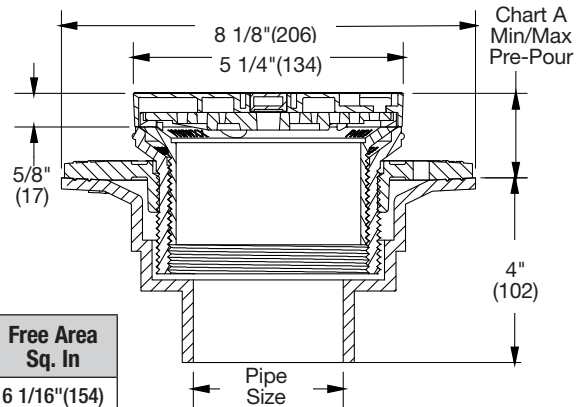
**Chart B**

Pipe Size	Std. No Hub	P Push On	T Female Thread	X Inside Caulk	60 PVC
2"(51)	3 5/8"(92)	4 1/4"(108)	4 1/4"(108)	4 1/2"(114)	4"(102)
3"(76)	3 5/8"(92)	4 1/4"(108)	4 1/4"(108)	4 1/2"(114)	4"(102)
4"(102)	3 5/8"(92)	4 1/4"(108)	4 1/4"(108)	4 1/2"(114)	4"(102)
6"(152)	3 1/2"(89)				

**FD-1190-PR-60**

**Pronto!® PVC Adjustable Floor Drain w/Integrated Level**

Model Number	Weight Lbs.	Str. Size	Outlet Size	Strainer	List Price
FD-1192, 3, 4-PR5-60	5	5"(127)	2, 3, 4"	stainless steel	\$718.50
FD-1192, 3, 4-PR6-60	6	6"(152)	2, 3, 4"	stainless steel	865.00
FD-1192, 3, 4-PR7-60	7	7"(178)	2, 3, 4"	stainless steel	1,215.00
FD-1192, 3, 4-PR8-60	8	8"(203)	2, 3, 4"	stainless steel	1,867.00



**Chart A**

Strainer Size	Min.	Max.	Load Rating	Free Area Sq. In
5"(127)	2 1/2"(64)	4 1/4"(108)	MD	6 1/16"(154)
6"(152)	2 1/2"(64)	4 1/4"(108)	LD	10 3/4"(273)
7"(178)	2 5/8"(67)	4 3/8"(111)	LD	13 1/4"(337)
8"(203)	2 3/4"(70)	4 1/2"(114)	MD	19"(483)

**Options for FD-1190-PR/FD-1190-PR-60 Series:**

Suffix	Description	List Price	Suffix	Description	List Price
None	No Hub Outlet (FD-1190-PR 2, 3, 4" Only)	No Add	-15	Strainer Extension (DD-50)	\$162.00
None	No Hub Outlet (FD-1190-PR 6" Only)	\$137.50	-61	ABS Body w/Socket Outlet (FD-1190-PR Only)	115.00
P	Push-On Outlet (FD-1190-PR Only)	No Add	-F4-50	4" Round Cast Iron Funnel	205.00
T	Threaded Outlet (FD-1190-PR Only)	92.00	-F4-1	4" Round Nickel Bronze Funnel	489.00
X	Inside Caulk (FD-1190-PR Only)	No Add	-F6-1	6" Round Nickel Bronze Funnel	715.50
-7	Trap Primer Tapping	No Add	-G-50	4" x 9" Oval Cast Iron Funnel	484.00
-8	Ball Float Backwater Valve (2, 3, 4" Only)	431.50	-G-1	4" x 9" Oval Nickel Bronze Funnel	997.50
-13	Galvanized Body (FD-1190-PR Only)	224.00	-S0	Side Outlet (FD-1190-PR 2, 3, 4" Only)	250.00



Consult factory for all applications outside of listed parameters.  
Prices do not include applicable taxes.

# On-Grade Floor Drains with Stainless Steel Strainers

## FD-1200-A

### Floor Drain with Heavy Duty Round Stainless Steel Strainer



Model Number	Weight (lbs.)	Str. Size	Pipe Size	Strainer	List Price
FD-1202,3,4-A5	8	5"	2,3,4"	stainless steel	\$784.00
FD-1202,3,4-A6	9.5	6"	2,3,4"	stainless steel	885.00
FD-1202,3,4-A8	16	8"	2,3,4"	stainless steel	1,538.00

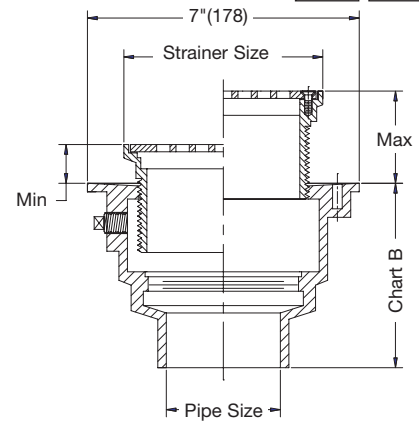
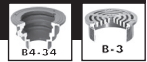


Chart A		
Str. Dia.	Min.	Max.
5"	7/16"	2 1/4"
6"	5/8"	2 1/4"
8"	3/4"	2 3/4"

Chart B			
Pipe Size	No Hub	Push On	PVC/ABS
2"	4 3/4"	5 1/2"	4"
3"	4 3/4"	5 1/2"	4"
4"	4 3/4"	5 1/2"	4"

## FD-1200-B

### Floor Drain with Heavy Duty Round Stainless Steel Strainer



Model Number	Weight (lbs.)	Str. Size	Pipe Size	Strainer	List Price
FD-1202,3,4-B5	11	5"	2,3,4"	stainless steel	\$997.50
FD-1202,3,4-B6	12.5	6"	2,3,4"	stainless steel	1,141.00
FD-1202,3,4-B8	16	8"	2,3,4"	stainless steel	2,038.00

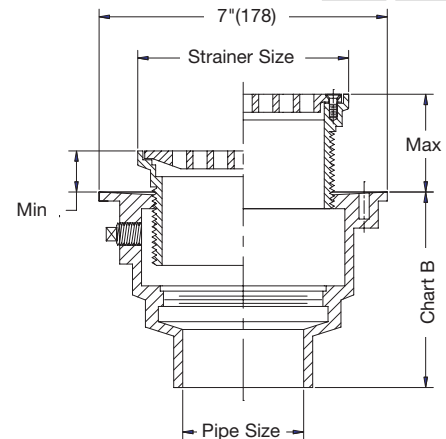


Chart A		
Str. Dia.	Min.	Max.
5"	7/16"	2 1/4"
6"	5/8"	2 1/4"
8"	3/4"	2 3/4"

Chart B			
Pipe Size	No Hub	Push On	PVC/ABS
2"	4 3/4"	5 1/2"	4"
3"	4 3/4"	5 1/2"	4"
4"	4 3/4"	5 1/2"	4"

### Options for FD-1200 Series:

Suffix	Description	List Price	Suffix	Description	List Price
None	No Hub	No Add	-28	304SS Body & Collar w/BW Connection (No Hub Only)	\$1,215.00
P	Push-On Outlet	No Add	-60	PVC Body w/Socket Outlet	No Add
X	Inside Caulk	No Add	-61	ABS Body w/Socket Outlet	No Add
-5	Sediment Bucket	\$144.50	-F4-3	4" Round SS Funnel	730.00
-6	Vandal Proof	72.75	-F4-50	4" Round Cast Iron Funnel	239.50
-7	Trap Primer Tapping	No Add	-F4-1	4" Round Nickel Bronze Funnel	571.00
-8	Ball Float Backwater Valve (2,3,4" Only)	503.50	-F6-1	6" Round Nickel Bronze Funnel	834.50
-13	Galvanized Body	261.00	-G-50	4x9" Oval Cast Iron Funnel	564.50
-15	Strainer Extension (DD-50)	189.00	-G-1	4x9" Oval Nickel Bronze Funnel	1,164.00

Consult factory for all applications outside of listed parameters.

Prices do not include applicable taxes.



# Adjustable Floor Drains with Stainless Steel Strainers

FD-1290-PR

Pronto!® Cast Iron Adjustable Floor Drain w/Integrated Level

Model Number	Weight Lbs.	Str. Size	Outlet Size	Strainer	List Price
FD-1292, 3, 4-PR5	13	5"(127)	2, 3, 4"	stainless steel	\$929.00
FD-1292, 3, 4-PR6	15	6"(152)	2, 3, 4"	stainless steel	1,046.00
FD-1292, 3, 4-PR7	17	7"(178)	2, 3, 4"	stainless steel	1,388.00
FD-1292, 3, 4-PR8	20	8"(203)	2, 3, 4"	stainless steel	1,973.00

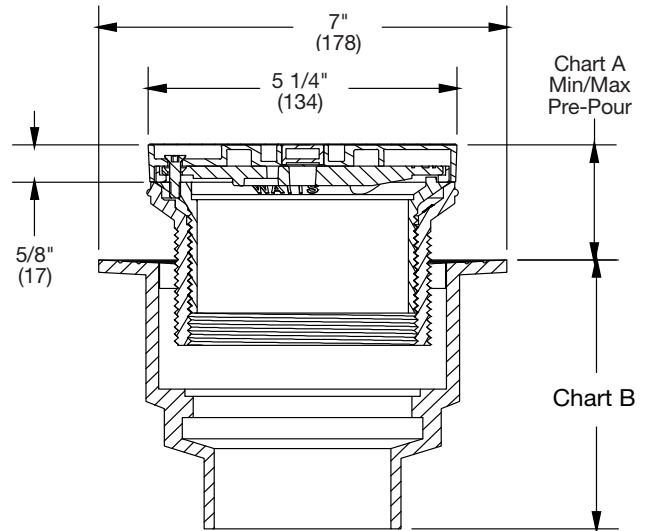


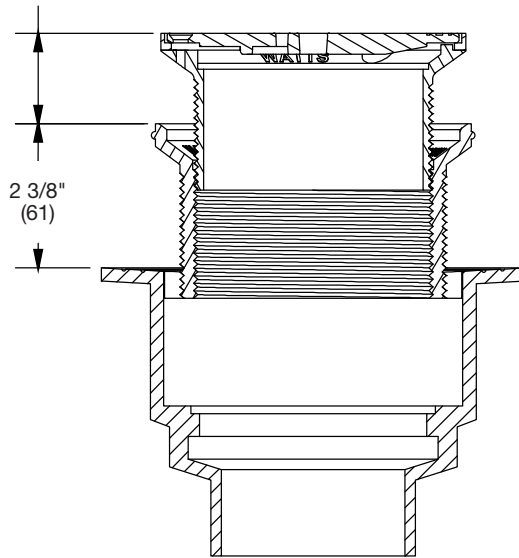
Chart A

Strainer Size	Min.	Max.	Load Rating	Free Area Sq. In
5"(127)	1 1/2"(38)	3 1/4"(83)	MD	6 1/16"(154)
6"(152)	1 1/2"(38)	3 1/4"(83)	LD	10 3/4"(273)
7"(178)	1 9/16"(40)	3 5/16"(84)	LD	13 1/4"(337)
8"(203)	1 11/16"(43)	3 7/16"(87)	MD	19"(483)

Chart B

Pipe Size	Std. No Hub	P Push On	60/61 PVC/ABS
2"(51)	4 1/2"(114)	5 1/2"(140)	4"(102)
3"(76)	4 1/2"(114)	5 1/2"(140)	4"(102)
4"(102)	4 3/4"(121)	5 1/2"(140)	4"(102)

0-7/8" Adj. Post-Pour



## Options for FD-1290-PR Series

Suffix	Description	List Price	Suffix	Description	List Price
None	No Hub Outlet	No Add	-15	Strainer Extension (DD-50)	\$189.00
P	Push-On Outlet	No Add	-F4-50	4" Round Cast Iron Funnel	239.50
T	Threaded Outlet	\$108.00	-F4-1	4" Round Nickel Bronze Funnel	571.00
X	Inside Caulk	No Add	-F6-1	6" Round Nickel Bronze Funnel	834.50
-7	Trap Primer Tapping	No Add	-G-1	4x9" Oval Nickel Bronze Funnel	1,164.00
-8	Ball Float Backwater Valve (2, 3, 4" Only)	503.50			
-13	Galvanized Body	261.00			



Consult factory for all applications outside of listed parameters.  
Prices do not include applicable taxes.

# Adjustable Floor Drains with Stainless Steel Strainers

FD-1290-PR-60

Pronto!® PVC Adjustable Floor Drain w/Integrated Level

Model Number	Weight Lbs.	Str. Size	Outlet Size	Strainer	List Price
FD-1292, 3, 4-PR5-60	4	5"(127)	2, 3, 4"	stainless steel	\$690.50
FD-1292, 3, 4-PR6-60	5	6"(152)	2, 3, 4"	stainless steel	838.00
FD-1292, 3, 4-PR7-60	6	7"(178)	2, 3, 4"	stainless steel	1,188.00
FD-1292, 3, 4-PR8-60	7	8"(203)	2, 3, 4"	stainless steel	1,840.00



**PATENTED**

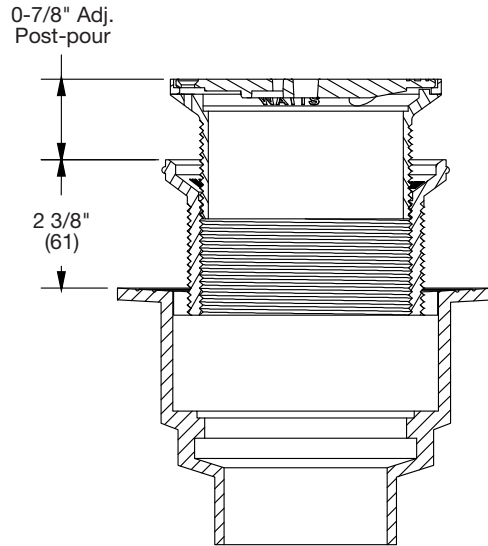
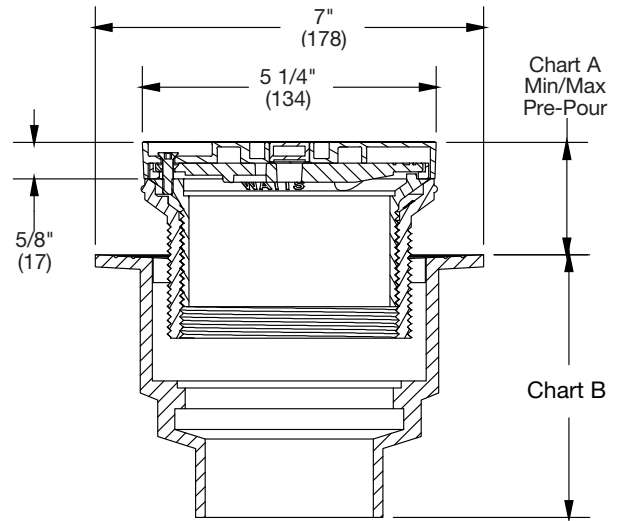


Chart A

Strainer Size	Min.	Max.	Load Rating	Free Area Sq. In
5"(127)	1 1/2"(38)	3 1/4"(83)	MD	6 1/16"(154)
6"(152)	1 1/2"(38)	3 1/4"(83)	LD	10 3/4"(273)
7"(178)	1 9/16"(40)	3 5/16"(84)	LD	13 1/4"(337)
8"(203)	1 11/16"(43)	3 7/16"(87)	MD	19"(483)

Chart B

Pipe Size	60 PVC
2"(51)	4 1/2"(114)
3"(76)	4 1/2"(114)
4"(102)	4 1/2"(114)

## Options for FD-1290-PR-60 Series

Suffix	Description	List Price	Suffix	Description	List Price
-7	Trap Primer Tapping	No Add	-G-1	4x9" Oval Nickel Bronze Funnel	\$1,107.00
-8	Ball Float Backwater Valve	\$503.50			
-61	ABS Body w/Socket Outlet	135.00			
-F4-50	4" Round Cast Iron Funnel	239.50			
F4-1	4" Round Nickel Bronze Funnel	571.00			
-F6-1	6" Round Nickel Bronze Funnel	834.50			
-G-50	4x9" Oval Cast Iron Funnel	564.50			
-15	Strainer Extension (DD-50)	189.00			

Consult factory for all applications outside of listed parameters.

Prices do not include applicable taxes.



# On-Grade Floor Drains with Stainless Steel Strainers

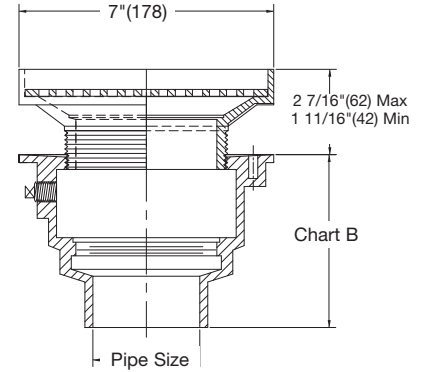
## FD-1200-ER

### Floor Drain with Stainless Steel Extended Rim Strainer

Model Number	Weight (lbs.)	Str. Size	Pipe Size	Strainer	List Price
FD-1202,3,4-ER7	11	7"	2,3,4"	stainless steel	\$1,624.00



Chart B			
Pipe Size	No Hub	Push On	PVC/ABS
2"	4 3/4"	5 1/2"	4"
3"	4 3/4"	5 1/2"	4"
4"	4 3/4"	5 1/2"	4"



## FD-1200-L

### Floor Drain with Heavy Duty Square Stainless Steel Strainer

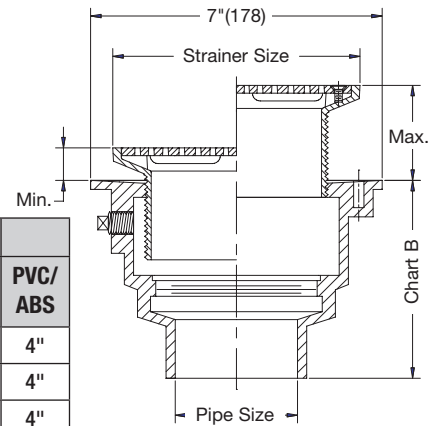


Model Number	Weight (lbs.)	Str. Size	Pipe Size	Strainer	List Price
FD-1202,3,4-L5	10	5x5"	2,3,4"	stainless steel	\$1,079.00
FD-1202,3,4-L6	14	6x6"	2,3,4"	stainless steel	1,346.00
FD-1202,3,4-L8	16	8x8"	2,3,4"	stainless steel	1,722.00



Chart A		
Strainer	Min.	Max.
5"x5"	1 1/2"	2 5/16"
6"x6"	1 1/2"	2 5/16"
8"x8"	3/4"	2 3/4"

Chart B			
Pipe Size	No Hub	Push On	PVC/ABS
2"	4 3/4"	5 1/2"	4"
3"	4 3/4"	5 1/2"	4"
4"	4 3/4"	5 1/2"	4"



## FD-1200-M

### Floor Drain with Square Stainless Steel Strainer

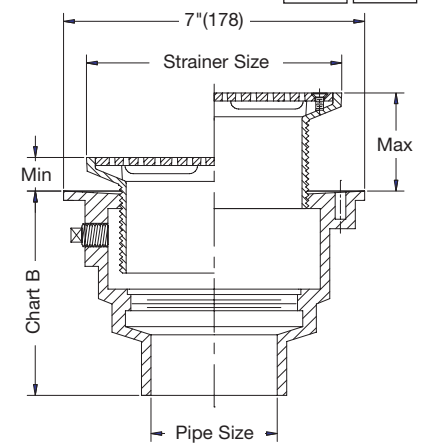


Model Number	Weight (lbs.)	Str. Size	Pipe Size	Strainer	List Price
FD-1202,3,4-M5	10	5"x5"	2,3,4"	stainless steel	\$986.50
FD-1202,3,4-M6	12.5	6"x6"	2,3,4"	stainless steel	1,346.00
FD-1202,3,4-M8	16	8"x8"	2,3,4"	stainless steel	1,570.00



Chart A		
Strainer	Min.	Max.
5"x5"	1 1/2"	2 5/16"
6"x6"	1 1/2"	2 5/16"
8"x8"	1 1/2"	2 3/4"

Chart B			
Pipe Size	No Hub	Push On	PVC/ABS
2"	4 3/4"	5 1/2"	4"
3"	4 3/4"	5 1/2"	4"
4"	4 3/4"	5 1/2"	4"



### Options for FD-1200 Series:

Suffix	Description	List Price	Suffix	Description	List Price
None	No Hub	No Add	-28	304SS Body & Collar w/BW Connection (No Hub only)	\$1,215.00
P	Push-On Outlet	No Add	-60	PVC Body w/Socket Outlet	No Add
X	Inside Caulk	No Add	-61	ABS Body w/Socket Outlet	No Add
-5	Sediment Bucket	\$144.50	-F4-3	4" Round SS Funnel	730.00
-6	Vandal Proof	72.75	-F4-50	4" Round Cast Iron Funnel	239.50
-7	Trap Primer Tapping	No Add	-F4-1	4" Round Nickel Bronze Funnel	571.00
-8	Ball Float Backwater Valve (2,3,4" Only)	503.50	-F6-1	6" Round Nickel Bronze Funnel	834.50
-13	Galvanized Body	261.00	-G-50	4x9" Oval Cast Iron Funnel	564.50
-15	Strainer Extension (DD-50)	189.00	-G-1	4x9" Oval Nickel Bronze Funnel	1,164.00

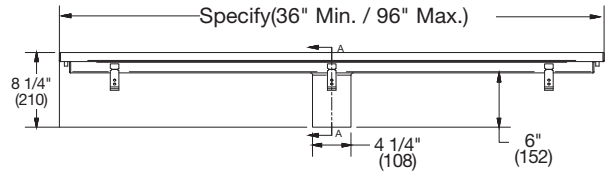
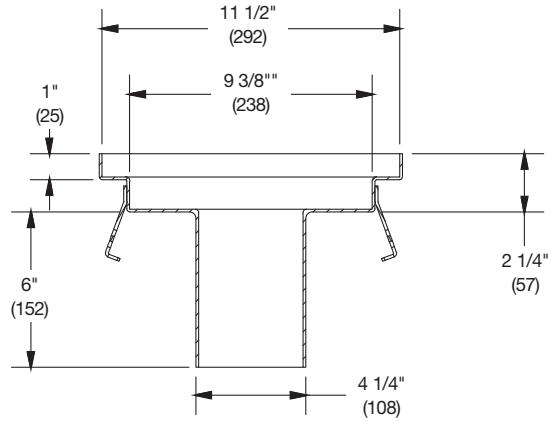


Consult factory for all applications outside of listed parameters.  
Prices do not include applicable taxes.

# Channel Drains/Accessories

## TD-300 Elevator Channel Drain

Model Number	Size	EDP Number	Grate	List Price
TD-324	24"	8189398	stainless steel	\$6,719.00
*TD-336	36"	8189211	stainless steel	10,078.00
*TD-342	42"	8189377	stainless steel	11,752.00
*TD-348	48"	8189779	stainless steel	13,262.00
*TD-360	60"	8189780	stainless steel	14,602.00
*TD-396	96"	8189375	stainless steel	26,865.00
Special Order: Add Per Ft.				\$3,072.00

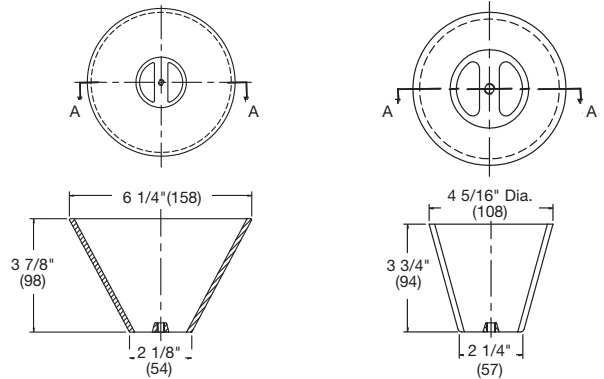


### Options for TD-300:

Suffix	Description	List Price
-06	6" (152) No Hub Outlet	\$533.50

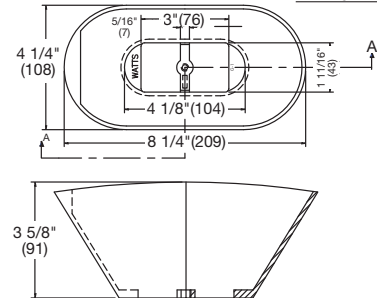
## FD-Funnels Bolt-On Funnels

Model Number	EDP#	Size	Material	List Price
F4-50	8135668	4" Round	cast iron	\$239.50
F4-1	8135666	4" Round	nickel bronze	571.50
F4-3	8187293	4" Round	stainless steel	731.00
F6-1	8135671	6" Round	nickel bronze	834.50
G-50	8141444	4x9" Oval	cast iron	565.50
G-1	8141441	4x9" Oval	nickel bronze	1,164.00
G-3	8141443	4x9" Oval	stainless steel	1,455.00



F6 Funnel

F4 Funnel



G Funnel



Consult factory for all applications outside of listed parameters.

Prices do not include applicable taxes.



# Sanitary Floor Sinks

## Table Of Contents

- Pictorial Index
- Recommendations
- Floor Sink Selection Factors
  - Materials
  - Pipe Connections
  - Load Ratings
  - Design Considerations
  - Commonly Specified Options
  - Option Configurations
- Typical Installations



# Sanitary Floor Sinks

## Pictorial Index



**FS-700**  
8" Round x 3" Deep



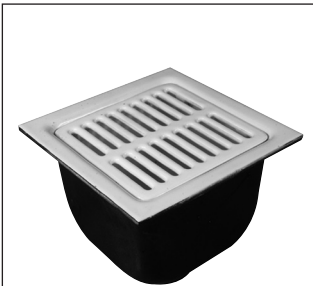
**FS-710**  
8" Square x 6" Deep



**FS-720**  
8" Round x 6" Deep



**FS-730**  
12" Square x 6" Deep



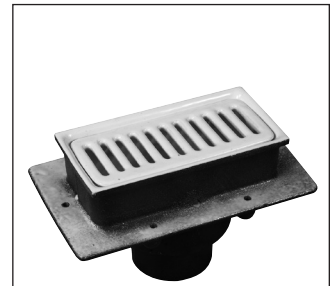
**FS-740**  
12" Square x 8" Deep



**FS-750**  
12" Square x 10" Deep



**FS-760**  
12" Round x 8" Deep



**FS-770**  
4"X8" Rectangular X 4"  
Deep



**FS-780**  
Stainless Steel  
12" Square x 6" Deep



**FS-790**  
Stainless Steel  
12" Square x 8" Deep



**FS-800**  
Can Wash Sink



**FS-850**  
16" Square x 12" Deep



**FS-900**  
12"x 24"x17" Deep

Consult factory for all applications outside of listed parameters.  
Prices do not include applicable taxes.

**WATTS**<sup>®</sup>



# Sanitary Floor Sinks

## Recommendations

Watts Sanitary Floor Sinks are recommended for indirect waste reception, generally in food handling or preparation areas. Sanitary floor sinks are constructed of porcelain enamel coated cast iron, or type 304 stainless steel. The smooth interior and rounded corners eliminate areas where pockets of waste and bacteria might otherwise accumulate.

## Floor Sink Selection Factors

### Materials

#### Porcelain enamel coated cast iron

White, glasslike inorganic coating common in sanitary plumbing applications. Corrosion proof and easy to clean, in compliance with strict sanitation standards.

#### Stainless steel

14 ga. in accordance with ASTM-351-Grade CF8 (Type 304) standard specification. Highly durable and resistant to corrosion.

#### PVC

Standard sch. 40 PVC, corrosion resistant, for direct solvent weld connection.

### Pipe Connections

#### No hub (standard)

Butt connection using a no hub or neoprene coupling. Suitable for cast iron, plastic, and most other piping applications.

#### Push-on (-P)

ASTM C-564 gasket connection, with pipe stop. Suitable for no hub or service weight cast iron, sch. 40 plastic, and steel pipe. Not recommended for above grade.

#### Inside caulk

Used for lead and oakum joints, pipe is inserted through a caulk ring on the drain outlet.

### Load Ratings

Floor sinks are not designed for traffic, and generally should not be specified in areas where traffic may occur. Please consult Watts technical support before specifying Sanitary Floor Sinks in an area subject to foot or other traffic.

### Design Considerations

#### Porcelain grating

Porcelain floor sink grates are specifically designed to maximize flow through the grate.

*Note: Porcelain grating is slippery and unstable, and cannot accept any foot or other traffic.*

#### Above grade installation

Above grade floor sinks must be specified with a flange (option -F) to prevent water from seeping around the sink, and leaking through the floor. If the floor is properly waterproofed with a membrane, option -FC (flange and clamp) should be specified.



# Sanitary Floor Sinks

## Floor Sink Selection Factors

### Commonly Specified Options

#### -F Flange with Weepholes

Anchors the sink in above grade applications. Water seeping around the outside of the sink will stop at the flange, and return to the sink through the weepholes.

#### -FC Flange with Weepholes and Flashing Clamp

Flange and flashing clamp secure a waterproofing membrane in above grade applications.

#### -1 Nickel Bronze Rim & Grate

Finished area top assembly for porcelain enamel coated sinks.

#### -3 Stainless Steel Rim & Grate

Finished area top assembly for porcelain enamel coated sinks.

#### -5 Sediment Bucket

Catches debris at the drain to prevent it from collecting and blocking the p-trap.

#### -6 Vandal Proof

Grate secured with Allen Head screws. Security screws (Torx and Pin, Allen and Pin) may be specified for high security applications.

#### -7 Trap Primer Tapping

Plugged 1/2" threaded inlet on drain body, for connection to trap primer valve (see Watts #LFTP300-DR).

#### -9 Hinged Grate

Available on square top floor sinks with optional nickel bronze (-1) or stainless steel (-3) top assemblies. Provides easy access to sediment buckets and drain lines requiring regular maintenance.

#### -21 Secondary Strainer

Fits in bottom of drain body, secondary protection against debris that bypasses sediment bucket.

#### -33 Less Grate

Grate removed for indirect waste reception.

#### -128 Grate with 2-1/2" Center Opening

For indirect waste line.

#### -150 1/2 Grate

Commonly specified under refrigeration cases. Receives indirect waste from back side, while grate covers exposed area.

#### -175 3/4 Grate

For indirect waste line.

#### -F4-1, -F6-1 Round Funnels

4" or 6" dia. nickel bronze round funnels to accept single condensate lines. Bolt supplied to attach funnel through underside of grate.

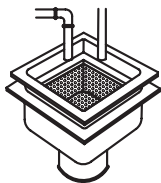
#### -G-1 Oval Funnel

4"x9" nickel bronze oval funnel, to accept multiple condensate lines. Bolt supplied to attach funnel through underside of grate.

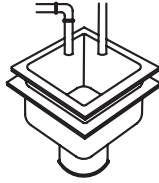
#### -US Buy American Compliant

Product will be supplied with minimum 51% domestic content, in compliance with FAR 52.225-9 Buy American Act.

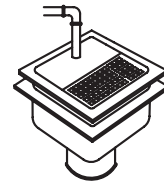
### Option Configurations



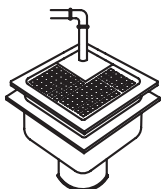
-5 Sediment Bucket



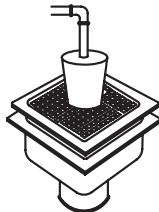
-33 Less Grate



-150 1/2 Grate



-175 3/4 Grate



-F4-1 NB Round Funnel



-G-1 NB Oval Funnel

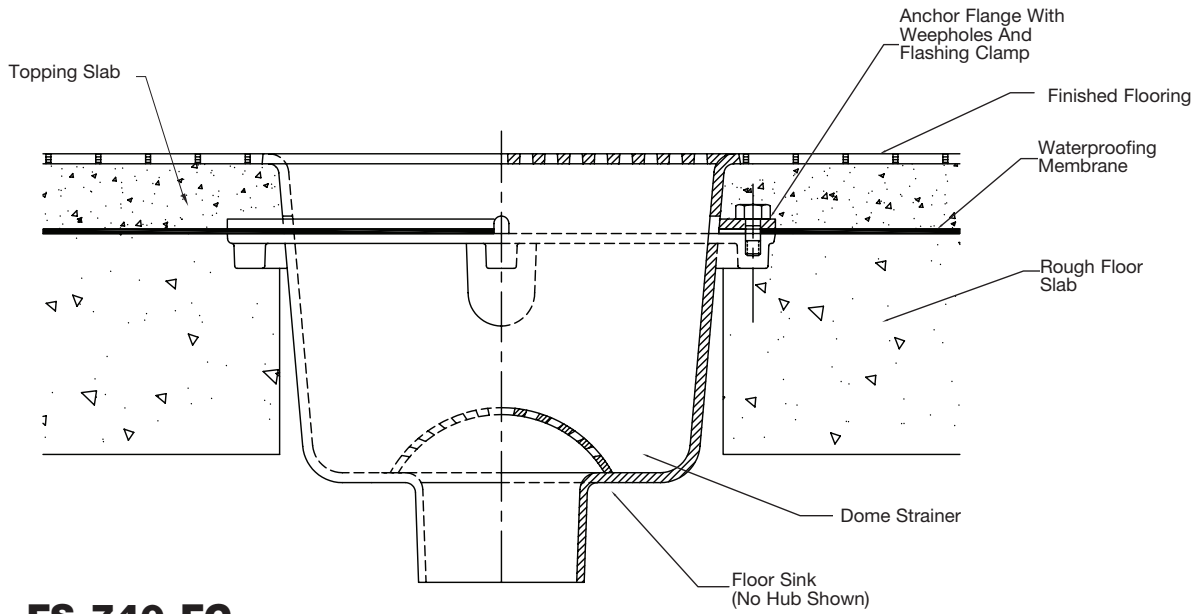
Consult factory for all applications outside of listed parameters.

Prices do not include applicable taxes.

**WATTS**<sup>®</sup>

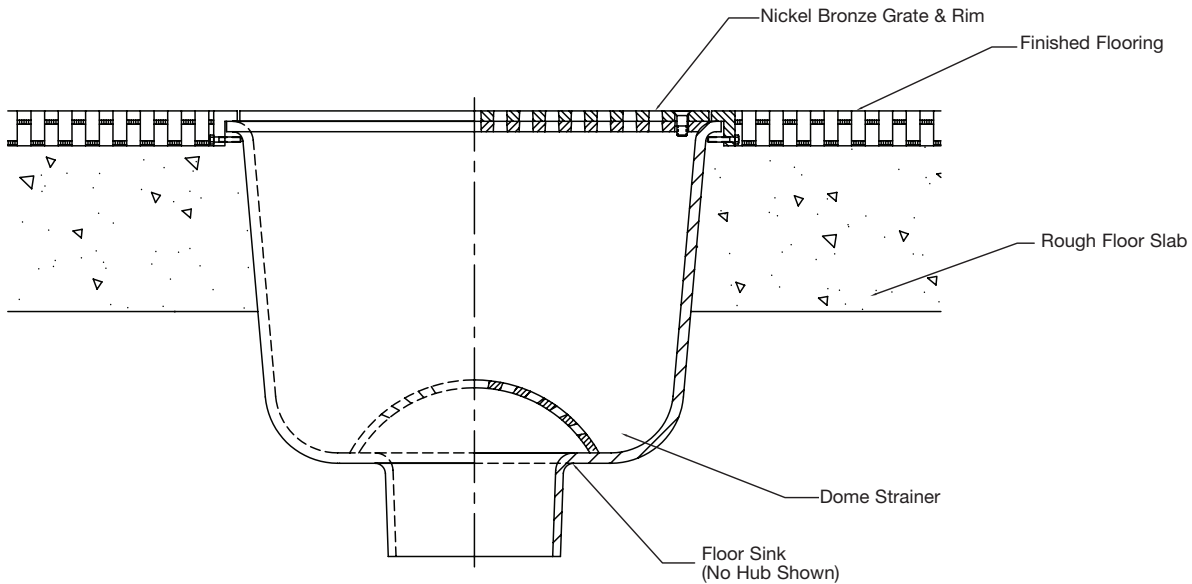
# Sanitary Floor Sinks

## Typical Installations



### FS-740-FC

ABOVE GRADE INSTALLATION



### FS-740-1

ON GRADE INSTALLATION



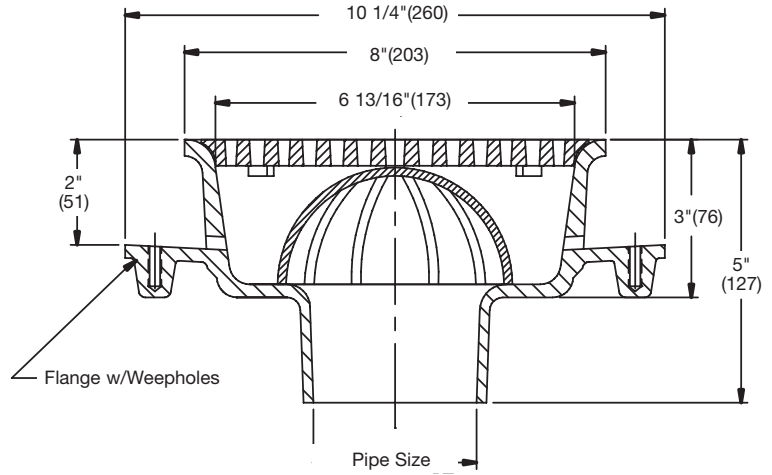
Consult factory for all applications outside of listed parameters.  
Prices do not include applicable taxes.

# Sanitary Floor Sinks

**FS-700**

**8" Round x 3" Deep Sanitary Floor Sink**

Model Number	Weight (lbs.)	Top Size	Outlet Size	Top	List Price
FS-702, 3, 4	14	8" Round	2,3,4"	porcelain	\$1,831.00
FS-702, 3, 4-1	20	8" Round	2,3,4"	nickel bronze	2,405.00



## Options for FS-700 Series

Suffix	Description	List Price	Suffix	Description	List Price
None	No Hub	No Add	-150	1/2 Grate	No Add
P	Push-On Outlet	No Add	-175	3/4 Grate	No Add
FC	Flange w/Weepholes & Flashing Clamp	\$249.50	-F4-1	4" Round Nickel Bronze Funnel	\$571.00
-5	Sediment Bucket	297.00	-F6-1	6" Round Nickel Bronze Funnel	834.50
-6	Vandal Proof (-1 Ony)	102.50	-G-1	4x9" Oval Nickel Bronze Funnel	1,164.00
-7	Trap Primer Tapping	256.50			
-9	Hinged Grate (FS-710-1, -3 Only)	469.00			
-21	Secondary Strainer	90.50			
-33	Less Grate	-346.00			

Consult factory for all applications outside of listed parameters.

Prices do not include applicable taxes.

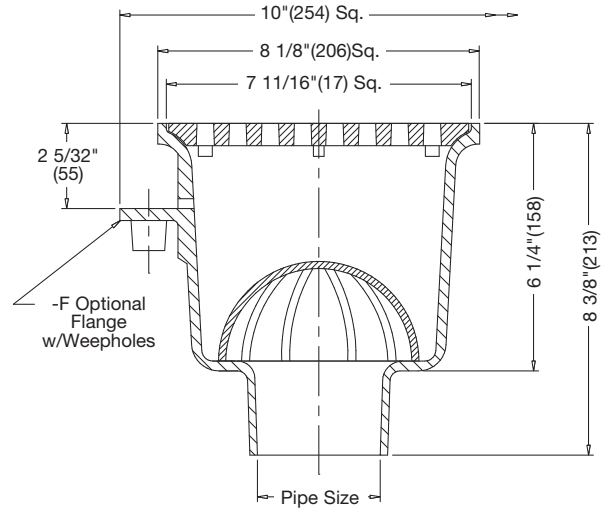


# Sanitary Floor Sinks

**FS-710**

**8" Square x 6" Deep Sanitary Floor Sink**

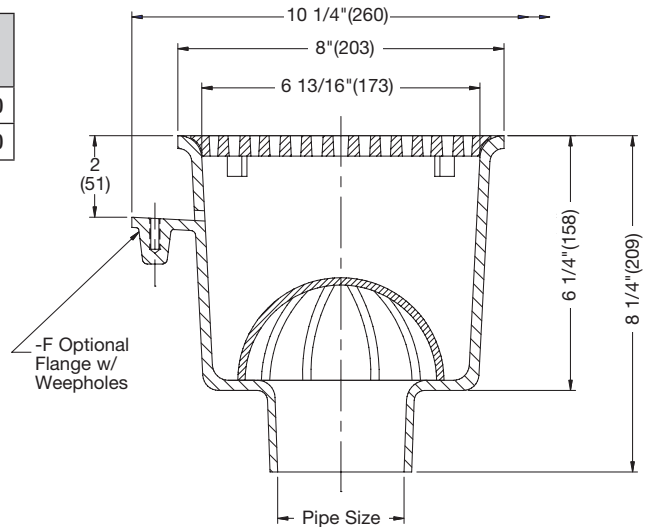
Model Number	Weight (lbs.)	Top Size	Outlet Size	Top	List Price
FS-712, 3, 4	20	8" Sq.	2,3,4"	porcelain	\$2,097.00
FS-712, 3, 4-1	20	8" Sq.	2,3,4"	nickel bronze	2,672.00



**FS-720**

**8" Round x 6" Deep Sanitary Floor Sink**

Model Number	Weight (lbs.)	Top Size	Outlet Size	Top	List Price
FS-722, 3, 4	16	8" Round	2,3,4"	porcelain	\$1,925.00
FS-722, 3, 4-1	16	8" Round	2,3,4"	nickel bronze	2,499.00



## Options for FS-710/720 Series

Suffix	Description	List Price	Suffix	Description	List Price
None	No Hub	No Add	-21	Secondary Strainer	\$90.50
P	Push-On Outlet	No Add	-33	Less Grate	-346.00
X	Inside Caulk Outlet	No Add	-150	1/2 Grate	No Add
-F	Flange w/Weepholes	\$247.00	-175	3/4 Grate	No Add
-FC	Flange w/Weepholes & Flashing Clamp	496.00	-F4-1	4" Round Nickel Bronze Funnel	571.00
-3	Stainless Steel (Rim & Grate) (FS-710 Only)	787.00	-F6-1	6" Round Nickel Bronze Funnel	834.50
-5	Sediment Bucket	296.50	-G-1	4x9" Oval Nickel Bronze Funnel	1,164.00
-6	Vandal Proof (-1,-3 Only)	102.50			
-7	Trap Primer Tapping	256.50			
-9	Hinged Grate (FS-710-1, -3 Only)	469.00			



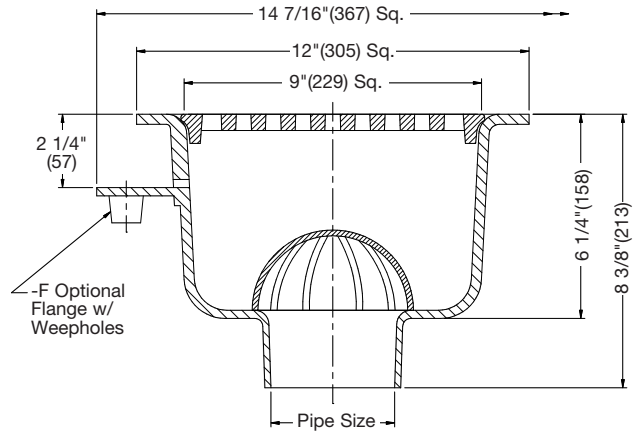
Consult factory for all applications outside of listed parameters.  
Prices do not include applicable taxes.

# Sanitary Floor Sinks

**FS-730**

**12" Square x 6" Deep Sanitary Floor Sink**

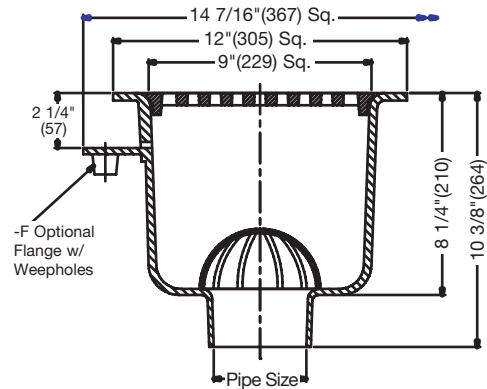
Model Number	Weight (lbs.)	Top Size	Outlet Size	Top	List Price
FS-732, 3, 4	32	12" Sq.	2,3,4"	porcelain	\$2,820.00
FS-732, 3, 4-1	32	12" Sq.	2,3,4"	nickel bronze	3,820.00



**FS-740**

**12" Square x 8" Deep Sanitary Floor Sink**

Model Number	Weight (lbs.)	Top Size	Outlet Size	Top	List Price
FS-742, 3, 4	34	12" Sq.	2,3,4"	porcelain	\$2,968.00
FS-742, 3, 4-1	34	12" Sq.	2,3,4"	nickel bronze	3,969.00



## Options for FS-730 / FS-740 / FS-750 Series

Suffix	Description	List Price	Suffix	Description	List Price
None	No Hub	No Add	-9	Hinged Grate (-1, -3 Only)	\$469.00
P	Push-On Outlet	No Add	-21	Secondary Strainer	90.50
X	Inside Caulk Outlet	No Add	-33	Less Grate	-346.00
-F	Flange w/Weepholes	\$516.50	-128	Grate with 2 1/2" Center Opening	239.50
-FC	Flange w/Weepholes & Flashing Clamp	774.00	-150	1/2 Grate	No Add
-3	Stainless Steel (Rim & Grate)	1,198.00	-175	3/4 Grate	No Add
-5	Sediment Bucket	425.50	-F4-1	4" Round Nickel Bronze Funnel	571.00
-6	Vandal Proof (-1,-3 Only)	102.50	-F6-1	6" Round Nickel Bronze Funnel	834.50
-7	Trap Primer Tapping	256.50	-G-1	4x9" Oval Nickel Bronze Funnel	1,164.00

Consult factory for all applications outside of listed parameters.

Prices do not include applicable taxes.

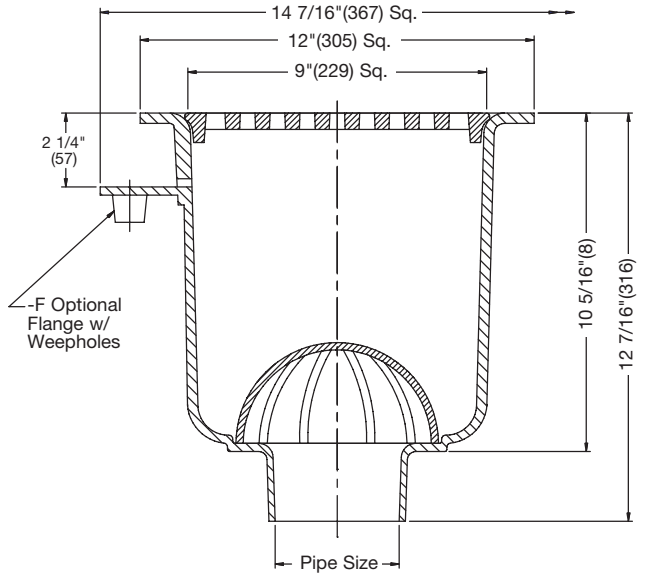


# Sanitary Floor Sinks

**FS-750**

**12" Square x 10" Deep Sanitary Floor Sink**

Model Number	Weight (lbs.)	Top Size	Outlet Size	Top	List Price
FS-752, 3, 4	36	12" Sq.	2,3,4"	porcelain	\$3,123.00
FS-752, 3, 4-1	36	12" Sq.	2,3,4"	nickel bronze	4,126.00

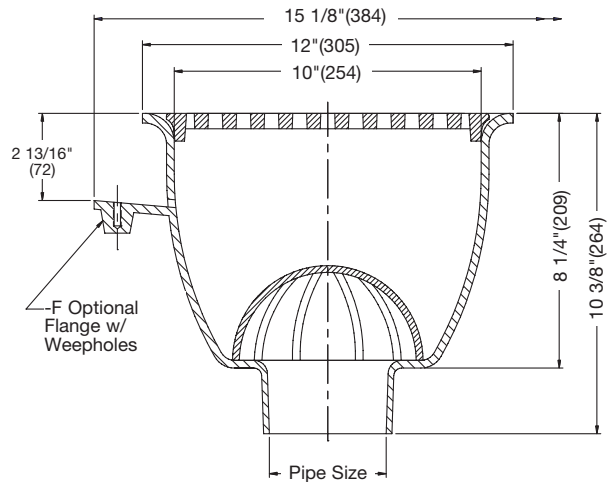


Options See Pg. 76

**FS-760**

**12" Round x 8" Deep Sanitary Floor Sink**

Model Number	Weight (lbs.)	Top Size	Outlet Size	Top	List Price
FS-762, 3, 4	32	12" Round	2,3,4"	porcelain	\$2,056.00
FS-762, 3, 4-1	32	12" Round	2,3,4"	nickel bronze	\$3,024.00



## Options for FS-760 Series:

Suffix	Description	List Price	Suffix	Description	List Price
None	No Hub	No Add	-21	Secondary Strainer	\$90.50
P	Push-On Outlet	No Add	-33	Less Grate	-346.00
-F	Flange w/Weepholes	\$516.50	-150	1/2 Grate	No Add
-FC	Flange w/Weepholes & Flashing Clamp	774.00	-175	3/4 Grate	No Add
-5	Sediment Bucket	425.50	-F4-1	4" Round Nickel Bronze Funnel	571.00
-6	Vandal Proof (-1,-3 Only)	102.50	-F6-1	6" Round Nickel Bronze Funnel	834.50
-7	Trap Primer Tapping	256.50	-G-1	4x9" Oval Nickel Bronze Funnel	1,164.00



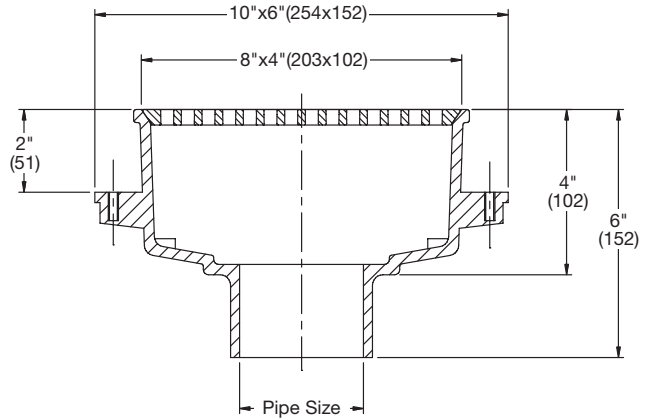
Consult factory for all applications outside of listed parameters.  
Prices do not include applicable taxes.

# Sanitary Floor Sinks

**FS-770**

**8" x 4" x4" Deep Sanitary Floor Sink**

Model Number	Weight (lbs.)	Top Size	Outlet Size	Top	List Price
FS-772, 3,	16	4"x8"	2,3"	porcelain	\$2,097.00
FS-772, 3-1	16	4"x8"	2,3"	nickel bronze	2,601.00



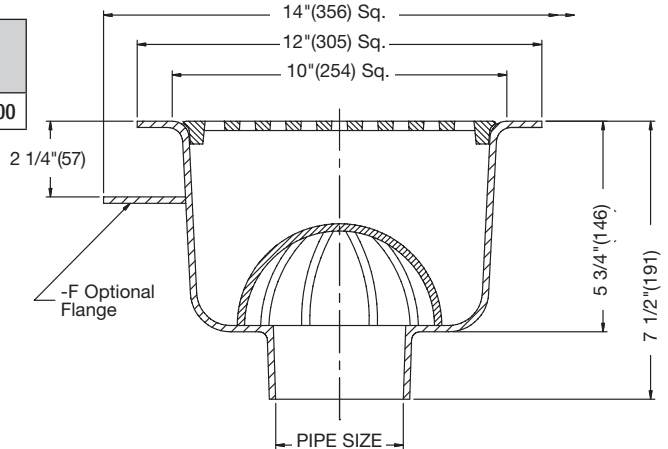
**Options for FS-770 Series:**

Suffix	Description	List Price	Suffix	Description	List Price
None	No Hub	No Add	-33	Less Grate	\$-346.00
P	Push-On Outlet	No Add	-150	1/2 Grate	No Add
-FC	Flashing Clamp	\$244.50	F4-1	4" Round Nickel Bronze Funnel	571.00
-5	Sediment Bucket	297.00	-F6-1	6" Round Nickel Bronze Funnel	834.50
-6	Vandal Proof (-1, Only)	102.50	-G-1	4x9" Oval Nickel Bronze Funnel	1,164.00
-7	Trap Primer Tapping	256.50			

**FS-780**

**12" Square x 6" Deep Sanitary Floor Sink**

Model Number	Weight (lbs.)	Top Size	Outlet Size	Top	List Price
FS-782, 3, 4	16	12" Sq.	2,3,4"	stainless steel	\$4,964.00



**Options for FS-780 Series:**

Suffix	Description	List Price	Suffix	Description	List Price
None	No Hub	No Add	-33	Less Grate	\$-1,502.00
P	Push-On Outlet	No Add	-150	1/2 Grate	No Add
-F	Flange w/Weepholes	\$730.00	-175	3/4 Grate	No Add
-FC	Flange w/Weepholes & Flashing Clamp	1,372.00	F4-1	4" Round Nickel Bronze Funnel	571.00
-5	Sediment Bucket	551.50	-F6-1	6" Round Nickel Bronze Funnel	834.50
-6	Vandal Proof	850.50	-G-1	4x9" Oval Nickel Bronze Funnel	1,164.00
-21	Secondary Strainer	90.50			

Consult factory for all applications outside of listed parameters.

Prices do not include applicable taxes.



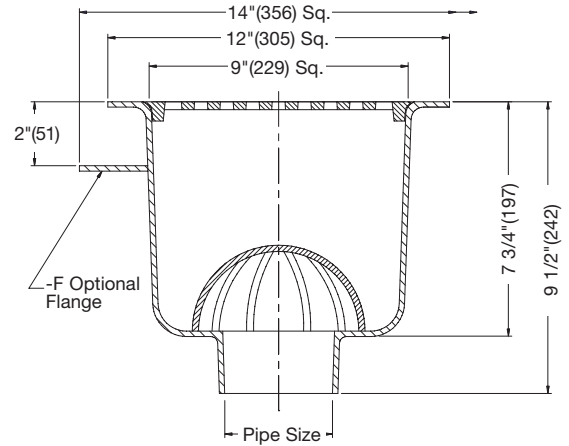


# Sanitary Floor Sinks

**FS-790**

**12" Square x 8" Deep Stainless Steel Sanitary Floor Sink**

Model Number	Weight (lbs.)	Top Size	Outlet Size	Top	List Price
FS-792, 3, 4	18	12" Sq.	2,3,4"	stainless steel	\$5,191.00



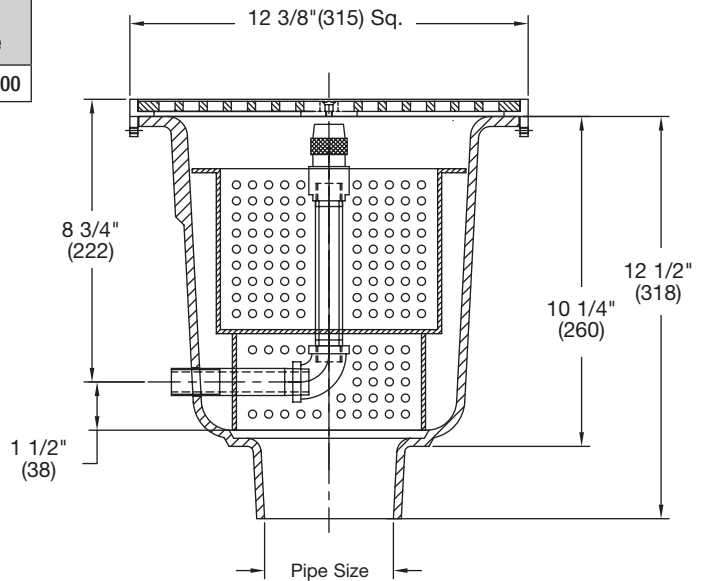
**FS-800**

**Sanitary Can Wash**

Model Number	Weight (lbs.)	Top Size	Outlet Size	Top	List Price
FS-804	39	12" Sq.	4"	nickel bronze	\$5,661.00

### Options for FS-800 Series

Suffix	Description	List Price
-6	Vandal Proof	\$92.75



### Options for FS-780 and FS-790 Series:

Suffix	Description	List Price	Suffix	Description	List Price
None	No Hub	No Add	-33	Less Grate	\$-1,502.00
P	Push-On Outlet	No Add	-150	1/2 Grate	No Add
-F	Flange w/Weepholes	\$730.00	-175	3/4 Grate	No Add
-FC	Flange w/Weepholes & Flashing Clamp	1,372.00	-F4-1	4" Round Nickel Bronze Funnel	571.00
-5	Sediment Bucket	551.50	-F6-1	6" Round Nickel Bronze Funnel	834.50
-6	Vandal Proof	850.50	-G-1	4x9" Oval Nickel Bronze Funnel	1,164.00
-21	Secondary Strainer	90.50			



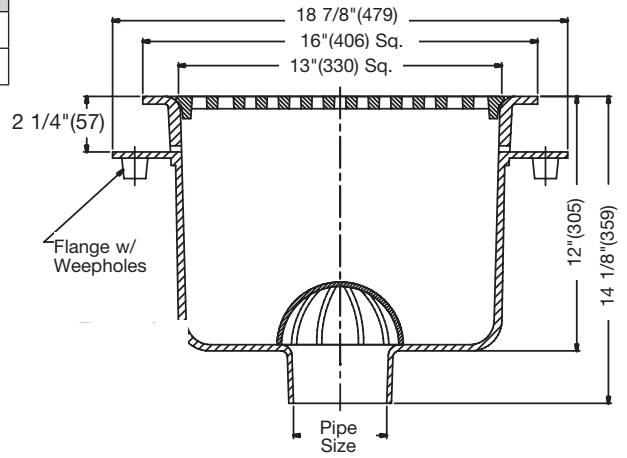
Consult factory for all applications outside of listed parameters.  
Prices do not include applicable taxes.

# Sanitary Floor Sinks

FS-850

16" Square x 12" Deep Sanitary Floor Sink

Model Number	Weight (lbs.)	Top Size	Outlet Size	Top	List Price
FS-854,6	150	16" Sq.	4,6"	porcelain	\$6,243.00
FS-854,6-1	150	16" Sq.	4,6"	nickel bronze	7,864.00



## Options for FS-850 Series

Suffix	Description	List Price	Suffix	Description	List Price
-FC	Flashing Clamp	\$751.50	-150	1/2 Grate	No Add
-5	Sediment Bucket	1,103.00	-175	3/4 Grate	No Add
-6	Vandal Proof (-1 Only)	102.50	-F4-1	4" Round NB Funnel	\$571.00
-7	Trap Primer Tapping	256.50	-F6-1	6" Round NB Funnel	834.50
-9	Hinged Grate	469.00	-G-1	4x9" Oval NB Funnel	1,164.00
-33	Less Grate	-1,096.00			

Consult factory for all applications outside of listed parameters.

Prices do not include applicable taxes.

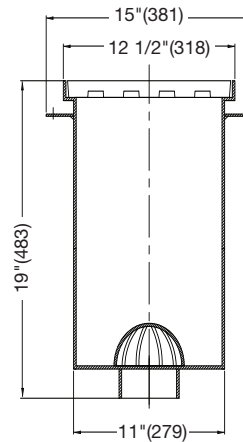
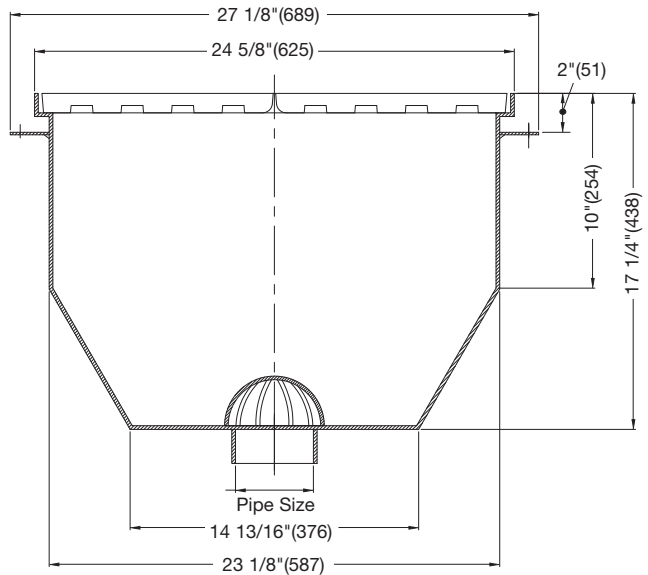


# Sanitary Floor Receptor

**FS-900**

**12" x 24" x 17" Deep Floor Receptor**

Model Number	Weight (lbs.)	Top Size	Outlet Size	Top	List Price
FS-902,3,4,6	82	12"x24"	2,3,4,6"	ductile iron	\$12,642.00
FS-902,3,4,6-1	82	12"x24"	2,3,4,6"	nickel bronze	16,179.00



## Options for FS-900 Series

Suffix	Description	List Price	Suffix	Description	List Price
None	No Hub	No Add	-150	1/2 Grate	No Add
P	Push-On Outlet	No Add	-175	3/4 Grate	No Add
-FC	Flashing Clamp	\$751.50	-F4-1	4" Round Nickel Bronze Funnel	\$571.00
-5	SS Sediment Bucket	2,504.00	-F6-1	6" Round Nickel Bronze Funnel	834.50
-6	Vandal Proof	102.50	-G-1	4x9" Oval Nickel Bronze Funnel	1,164.00
-33	Less Grate	-2,816.00			



Consult factory for all applications outside of listed parameters.  
Prices do not include applicable taxes.

# Dead Level® Trench Drains

## Table Of Contents

- Pictorial Index
- Dead Level® Features
- Design Considerations
- Gratings
- Load Classifications
- Configure & Order Dead Level
- Typical Configurations



Consult factory for all applications outside of listed parameters.  
Prices do not include applicable taxes.

**WATTS**®

# Dead Level® Trench Drains

## Pictorial Index



**Dead Level® BK**  
6" Wide SS Grating w/  
Ductile Iron Frame



**Dead Level® D**  
6" Wide Pre-Sloped  
w/Ductile Iron Frame



**Dead Level® P**  
6" Wide Pre-Sloped  
w/Polypropylene Frame



**Dead Level® DX**  
12" Wide Pre-Sloped  
w/Ductile Iron Frame



**Dead Level® S**  
6" Wide Deck Channel For  
Cast in Place



**Dead Level® Z**  
6" Wide Flanged Deck  
Channel For Precast



**Dead Level® DL-GF**  
6" Wide Grating  
w/Ductile Iron Frame



**Dead Level® DLP-GF**  
6" Wide Grating  
w/Polypropylene Frame



**Dead Level® DX-GF**  
12" Wide Grating  
w/Ductile Iron Frame



**Dead Level® Catch Basin**  
6"x24"x24" & 24"x24"x24"  
Catch Basins

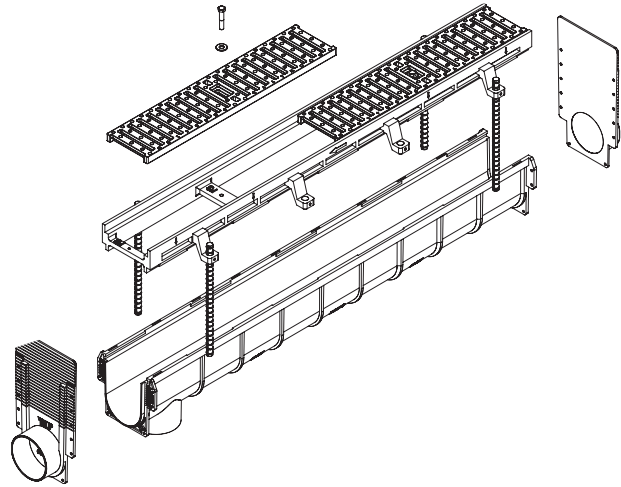


Consult factory for all applications outside of listed parameters.  
Prices do not include applicable taxes.

# Dead Level® Trench Drains

## Dead Level® Features

Uniquely engineered,  
Dead Level® installs and  
performs like no other  
trench drain system



### Applications

Recommended for surface drainage in indoor or outdoor applications.

### Superior materials

Chemical resistant, UV stabilized injection molded polypropylene channels. Standard ductile iron frames for heavy traffic, or durable polypropylene frames for moderate traffic.

### Stability & structural strength

Channels lock longitudinally outside of the structural frame, and cannot pinch or fold in with the concrete pour. Concentrated and dynamic loads transfer directly from the frame to the slab, protecting channels from stress and loading failure.

### Frame anchored design

Support anchors tie directly to the structural frame, not the channels. Straight, level installations are easily accomplished, with less risk of channel floating.

### Solid connections

Flanged channel, end cap, and frame connections create proper joints and alignment. Pre-molded no hub outlets guarantee a solid connection to discharge piping.

### Short & corner/tee sections

1' straight and combination corner/tee sections add flexibility on uneven runs, while eliminating difficult field cutting operations.

### Maximum flow

.7% sloped channels, with radiused bottom and smooth interior generate maximum hydraulic flow.

### Gratings for diverse commercial applications

Ductile iron, stainless steel, galvanized, polypropylene, and bronze gratings available to meet DIN 19580 Load Classifications A through F. Check product specifications for heel proof and ADA requirements.

### Shipped with construction covers

Time-saving construction covers protect the grating, and keep channels free of debris during construction.

## Design Considerations

### Traffic

Vehicular or equipment traffic requires higher load classifications, depending upon the specific type of loading. In general, non-pneumatic wheels and high velocity traffic create the heaviest loads. Trench drains subject to pedestrian traffic may require heel proof or ADA compliant grating. Polypropylene grating should be specified in areas with barefoot traffic, particularly around swimming pools, where chlorine can attack stainless steel grating.

### Flow & Outlets

Specific flow calculations are typically used for outdoor trench drain. Indoors, flushing is usually of primary concern, particularly in sanitary environments. Pre-sloped trench drain is designed to be self-flushing, although minimal flows or long travel to an outlet will reduce flushing action. A general recommendation is minimum one outlet every 80' outdoors, every 100' indoors.

### Catch Basins

Catch basins should be used as a point to trap debris, transition flow from the trench drain to discharge piping, or as a junction box receiving multiple runs.

### Cosmetics

Any cast iron or ductile iron surface should be expected to show rust, even with an applied coating. Metal grating specified in a high visibility area should be galvanized or stainless steel. Optional galvanized or stainless steel frame guards are specified to match the frame to the grating, and maintain a uniform appearance.

\* See Watts Dead Level® Trench Drains catalogue for complete information.

Consult factory for all applications outside of listed parameters.

Prices do not include applicable taxes.

**WATTS®**

# Dead Level® Trench Drains

## Grating



### Ductile Iron

8187063 DLG-DI12 12"  
8187307 DLG-DI 24"



### Galvanized Steel Slotted

8187346 DLG-GS12 12" 8187309 DLG-GS 48"  
8187366 DLG-GS24 24"  
8188706 DLG-GS36 36"



### Galvanized Steel Perforated

8187347 DLG-GP12 12" 8187312 DLG-GP 48"  
8187358 DLG-GP24 24"  
8188705 DLG-GP36 36"



### Stainless Steel Slotted

8187348 DLG-SS12 12" 8187308 DLG-SS 48"  
8187368 DLG-SS24 24"  
8188708 DLG-SS36 36"



### Stainless Steel Perforated

8187349 DLG-SP12 12" 8189435 DLG-SP40 40"  
8187369 DLG-SP24 24"  
8188707 DLG-SP36 36"



### Polypropylene Composite

8187370 DLG-PP12 12"  
8187030 DLG-PP 24"



### Decorative Bronze

8187425 DLG-BR 24"



### Galvanized Ductile Iron

8187989 DLG-GDI12 12"



### Ductile Iron ADA

8187611 DLG-DI12-ADA 12"  
8187430 DLG-DI-ADA 24"



### Solid Cast Iron

8185967 DLG-SCI 24"



### Stainless Steel Brickslot

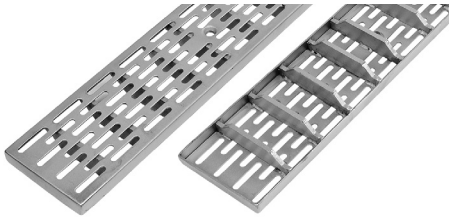
8189419 DLG-BK12 12"  
8189003 DLG-BK24 24"  
8189004 DLG-BK 48"



Consult factory for all applications outside of listed parameters.  
Prices do not include applicable taxes.

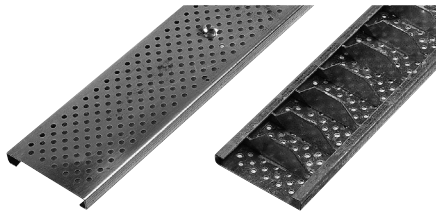
# Dead Level® Trench Drains

## Grating



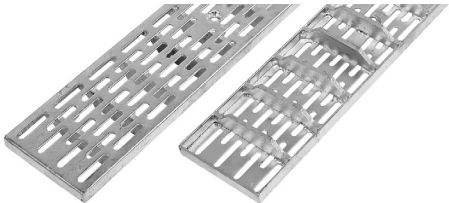
**Reinforced Galvanized  
Steel Slotted**

8187350 DLG-RGS12 12" 8188720 DLG-RGS36 36"  
8187367 DLG-RGS24 24" 8187314 DLG-RGS 48"



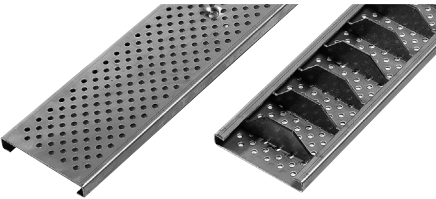
**Reinforced Galvanized  
Steel Perforated**

8187351 DLG-RGP12 12" 8188722 DLG-RGP36 36"  
8187406 DLG-RGP24 24" 8187316 DLG-RGP 48"



**Reinforced Stainless  
Steel Slotted**

8187352 DLG-RSS12 12" 8188721 DLG-RSS36 36"  
8187377 DLG-RSS24 24" 8187315 DLG-RSS 48"



**Reinforced Stainless  
Steel Perforated**

8187353 DLG-RSP12 12" 8188723 DLG-RSP36 36"  
8187382 DLG-RSP24 24" 8187317 DLG-RSP 48"



# Dead Level® Trench Drains

## Load Classifications

### DIN 19580 / EN 1433 Load Classifications

#### Load Class Description



**A** Pedestrian areas, pavements, bicycle lanes, square, yard improvements, individual construction.



**B** Individual construction, private garages, gardens and parks, artificial landscape, private car parks.



**C** Pedestrian areas, waysides, parking areas, garages, car service stations, territory improvements.

#### Load Class Description



**D** Fuel filling stations, car washes, industrial areas, transport terminals, roads and automobile enterprises.



**E** Airports, highways, industrial companies, ports, fuel filling stations, transport terminals and storage terminals.



**F** Airport runways, industrial areas, transport terminals, structures with extreme loads on the road surface.

Grating Suffix	Grating Desc.	Std. Length	DIN Class	ANSI Class	H-20 Compliant	ADA Compliant	Heel Proof	Open Area
BR	Decorative Bronze	24"	B	MD	N	Y	Y	30%
DI	Ductile Iron	24"	C*	HD*	N	N	N	30%
DI-ADA	Ductile Iron ADA	24"	C*	HD*	N	Y	Y	25%
GDI	Galvanized Ductile Iron	24"	C*	HD*	N	N	N	30%
PP	Polypropylene	24"	C	MD	N	Y	Y	15%
GP	Galvanized Perforated	48"	A	LD	N	Y	Y	15%
GS	Galvanized Slotted	48"	A	LD	N	Y	N	12%
RGP	Reinforced Galvanized Perforated	48"	C*	HD*	N	Y	Y	15%
RGS	Reinforced Galvanized Slotted	48"	C*	HD*	N	Y	Y	30%
SP	Stainless Steel Perforated	48"	A	LD	N	Y	Y	15%
SS	Stainless Steel Slotted	48"	A	LD	N	Y	Y	12%
RSP	Reinforced Stainless Steel Perforated	48"	C*	HD*	N	Y	Y	15%
RSS	Reinforced Stainless Steel Slotted	48"	C*	HD*	N	Y	Y	30%
SCI	Solid Cast Iron	24"	C*	HD*	N	Y	Y	0%

\*Load Class E / ANSI Class XHD with Frame Guards

### Dead Level D, S, Z - Ductile Iron Frame 6" Wide

BR	Decorative Bronze	24"	B	MD	N	Y	Y	30%
DI	Ductile Iron	24"	F	SD	Y	N	N	30%
DI-ADA	Ductile Iron ADA	24"	F	SD	Y	Y	Y	25%
GDI	Galvanized Ductile Iron	24"	F	SD	Y	N	N	30%
PP	Polypropylene	24"	C	MD	N	Y	Y	15%
GP	Galvanized Perforated	48"	A	LD	N	Y	Y	15%
GS	Galvanized Slotted	48"	A	LD	N	Y	N	12%
RGP	Reinforced Galvanized Perforated	48"	E	XHD	Y	Y	Y	15%
RGS	Reinforced Galvanized Slotted	48"	E	XHD	Y	Y	Y	30%
SP	Stainless Steel Perforated	48"	A	LD	N	Y	Y	15%
SS	Stainless Steel Slotted	48"	A	LD	N	Y	Y	12%
RSP	Reinforced Stainless Steel Perforated	48"	E	SD	Y	Y	Y	15%
RSS	Reinforced Stainless Steel Slotted	48"	E	SD	Y	Y	Y	30%
SCI	Solid Cast Iron	24"	F	SD	Y	Y	Y	0%



Consult factory for all applications outside of listed parameters.  
Prices do not include applicable taxes.

# Dead Level® Trench Drains

## Load Classifications

### DIN 19580 / EN 1433 Load Classifications

#### Load Class Description



**A** Pedestrian areas, pavements, bicycle lanes, square, yard improvements, individual construction.



**B** Individual construction, private garages, gardens and parks, artificial landscape, private car parks.



**C** Pedestrian areas, waysides, parking areas, garages, car service stations, territory improvements.

#### Load Class Description



**D** Fuel filling stations, car washes, industrial areas, transport terminals, roads and automobile enterprises.



**E** Airports, highways, industrial companies, ports, fuel filling stations, transport terminals and storage terminals.



**F** Airport runways, industrial areas, transport terminals, structures with extreme loads on the road surface.

### Dead Level DX - Ductile Iron Frame 12" Wide

Grating Suffix	Grating Desc.	Std. Length	DIN Class	ANSI Class	H-20 Compliant	ADA Compliant	Heel Proof	Open Area
DI	Ductile Iron	24"	F	SD	Y	N	N	40%
DI-ADA	Ductile Iron ADA	24"	F	SD	Y	Y	Y	30%
GDI	Galvanized Ductile Iron	24"	F	SD	Y	N	N	40%
RGP	Reinforced Galvanized Perforated	24"	E	XHD	Y	Y	Y	15%
RGS	Reinforced Galvanized Slotted	24"	E	XHD	Y	Y	Y	30%
RSP	Reinforced Stainless Steel Perforated	24"	E	SD	Y	Y	Y	15%
RSS	Reinforced Stainless Steel Slotted	24"	E	SD	Y	Y	Y	30%
SDI	Solid Ductile Iron	24"	F	SD	Y	Y	Y	0%

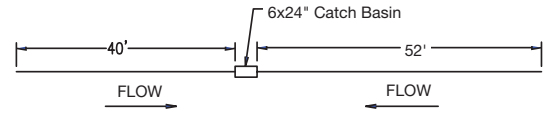
### Catch Basins

Grating Suffix	Grating Desc.	Std. Length	DIN Class	ANSI Class	H-20 Compliant	ADA Compliant	Heel Proof	Open Area
6x24x24	See Dead Level P or Dead Level D - Same as Trench Drain Grating							
24x24x24	Ductile Iron	24"	F	SD	Y	Y	Y	40%
24x24x24	Stainless Steel	24"	F	SD	Y	Y	Y	30%

# How to Configure & Order Dead Level® Trench System

## 1. Sketch General Layout

For each separate trench configuration show length(s), position of outlet(s), direction of flow(s), and position of catch basins (if required).



## 2. Specify Frame

Ductile Iron  
Polypropylene

### Ordering Code

D or DX  
P

## 3. Specify Length in Feet

(Do not Include Catch Basins)

Numeric

## 4. Specify Outlet

Straight Run End Outlet  
Straight Run Center Outlet  
Other Configuration

EO  
CO  
XO

## 5. Specify Grating

Ductile Iron  
ADA Ductile Iron  
Galvanized Ductile Iron  
Galvanized Steel Slotted  
Galvanized Steel Perforated  
Stainless Steel Slotted  
Stainless Steel Perforated  
Reinforced Galvanized Steel Slotted  
Reinforced Galvanized Steel Perforated  
Reinforced Stainless Steel Slotted  
Reinforced Stainless Steel Perforated  
Polypropylene

DI  
DI-ADA  
GDI  
GS  
GP  
SS  
SP  
RGS  
RGP  
RSS  
RSP  
PP

## 6. Specify Catch Basin

(If Required)

6x24x24" Catch Basin  
24x24x24" Catch Basin

B6  
B24

## 7. Specify Frame Guards

(If Required)

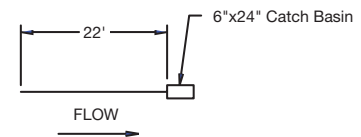
Galvanized Steel  
Stainless Steel

FG  
FS

## 8a. Configure Straight Run (EO or CO)

EX.

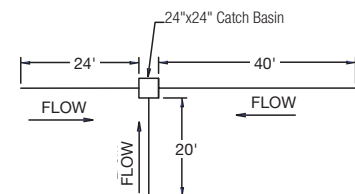
P22-EO-RSS-B6-FS  
P = Polypropylene Frame  
22 = Trench Length in Feet  
EO = End Outlet  
RSS = Reinforced Stainless Steel Slotted Grates  
B6 = 6x24x24" Catch Basin  
FS = Stainless Steel Frame Guard



## 8b. Configure Special Run (XO)

EX.

D84-XO-DI-B24  
D = Ductile Iron Frame  
84 = Trench Length in Feet  
XO = Other Configuration (Provide Sketch or Describe)  
DI = Ductile Iron Grates  
B24 = 24x24x24" Catch Basin

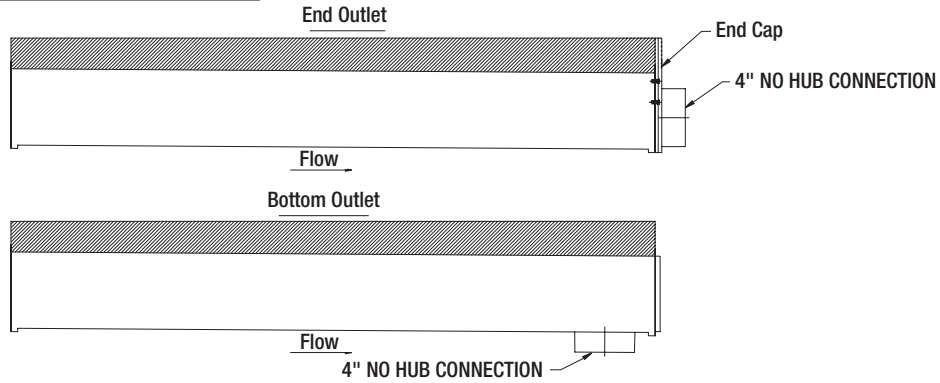


Consult factory for all applications outside of listed parameters.  
Prices do not include applicable taxes.

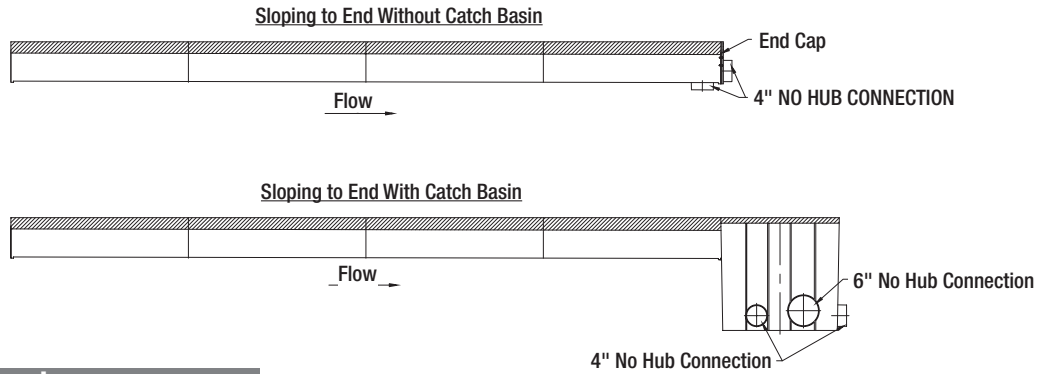
# Dead Level® Trench Drains

## Standard Configurations

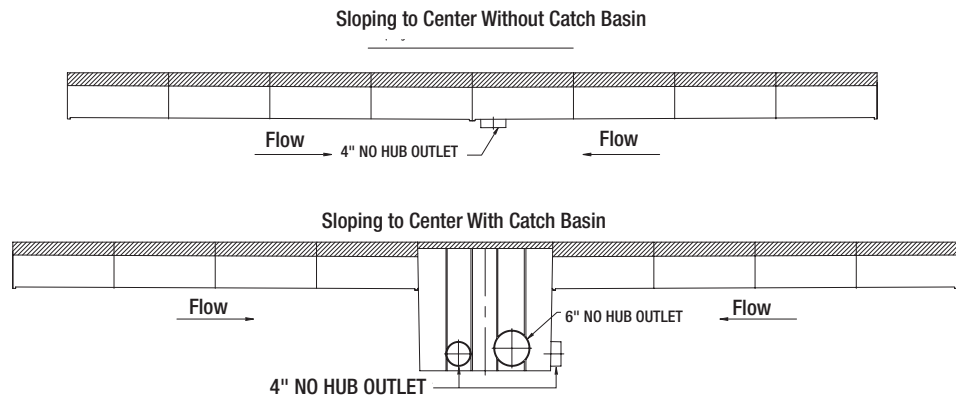
### Outlet Variations



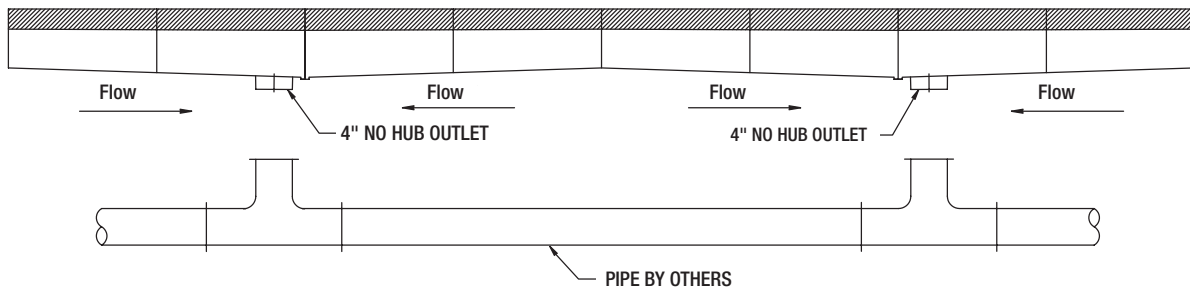
### Sloping to End



### Sloping to Center



### Multiple Outlets

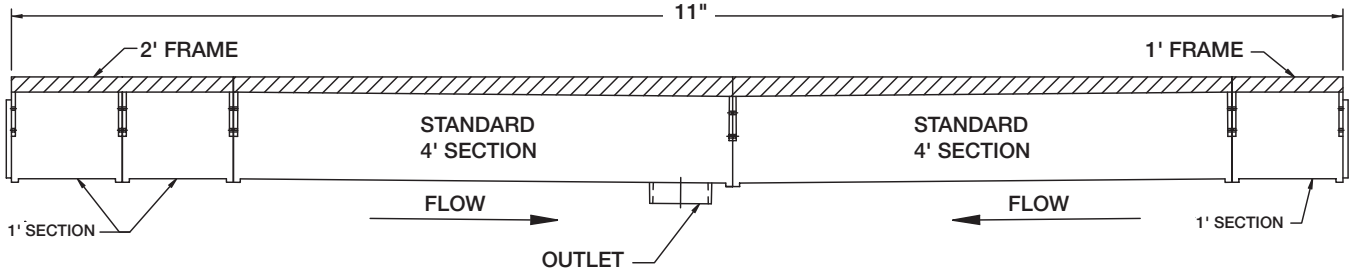


# Dead Level® Trench Drains

## Special Configurations

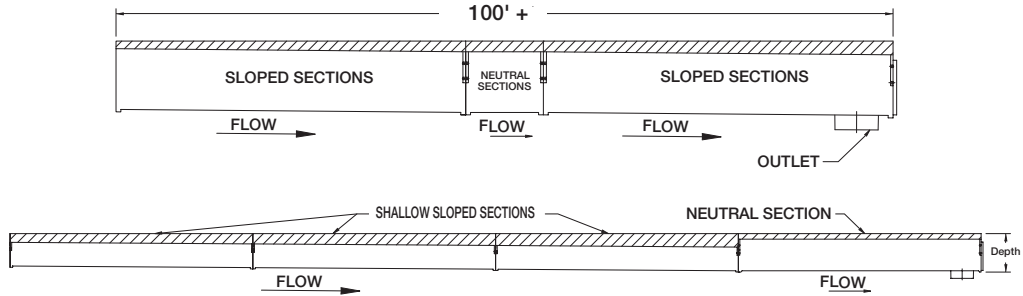
### Use of Short Section

USE OF SHORT SECTIONS



### Use of Neutral Channels

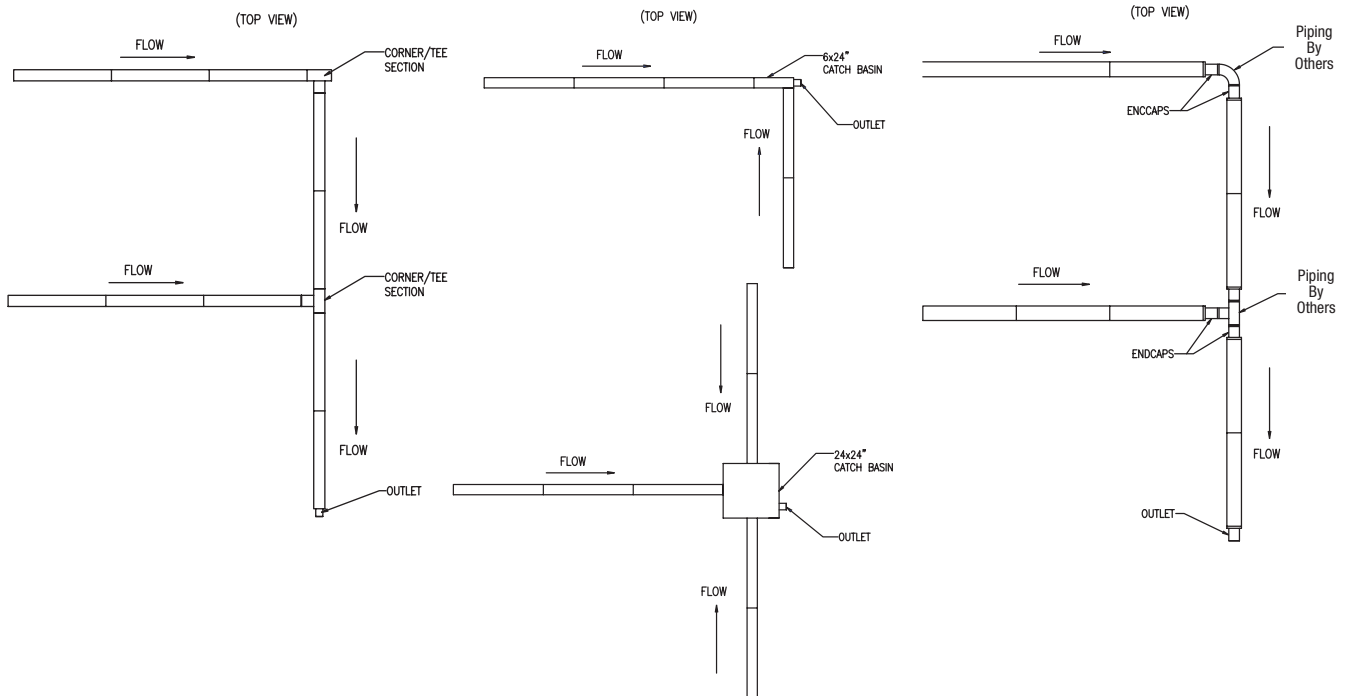
USE OF NEUTRAL CHANNELS  
EXTEND RUN BEYOND 100'



### Use of Corner & Tee Section

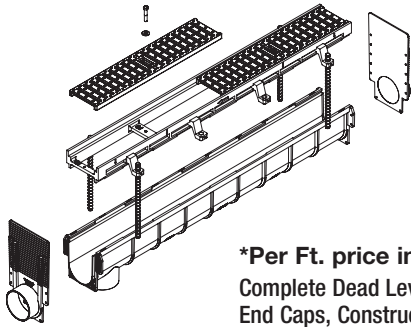
### Corner or Tee w/Catch Basin

### Piped Corners and Tees



Consult factory for all applications outside of listed parameters.  
Prices do not include applicable taxes.

# Dead Level® 6" Wide Pre-Sloped Trench Drain



**\*Per Ft. price includes:**

Complete Dead Level® System with Channels, Frames, Grates, Lockdowns, Frame Connectors, End Caps, Construction Covers, 10 Channel Clips per run and Hardware as Required. (Additional Channel Clips may be ordered. See pricing below)

System Pricing	
Dead Level D w/Ductile Iron Frame Grating Type	List Price Per Ft.*
BK - Brickslot	\$1,158.00
BK-AC12 Brickslot Access Cover	2,181.00
BR - Decorative Bronze	1,160.00
DI - Ductile Iron	850.50
DI-ADA - ADA Ductile Iron	906.50
GDI - Galvanized Ductile Iron	1,006.00
GS - Galvanized Slotted	738.00
GP - Galvanized Perforated	738.00
SS - Stainless Slotted	1,092.00
SP - Stainless Perforated	1,092.00
RGS - HD Galvanized Slotted	867.50
RGP - HD Galvanized Perforated	867.50
RSS - HD Stainless Slotted	1,217.00
RSP - HD Stainless Perforated	1,217.00
PP - Polypropylene	738.00
SCI - Solid Cast Iron	935.50
LG - Less Grate	616.50

System Pricing	
Dead Level P w/Polypropylene Frame Grating Type	List Price Per Ft.*
BK - Brickslot	\$1,036.00
BK-AC12 Brickslot Access Cover	2,062.00
BR - Decorative Bronze	1,013.00
DI - Ductile Iron	702.50
DI-ADA - ADA Ductile Iron	761.00
GDI - Galvanized Ductile Iron	859.50
GS - Galvanized Slotted	593.00
GP - Galvanized Perforated	593.00
SS - Stainless Slotted	946.00
SP - Stainless Perforated	946.00
RGS - HD Galvanized Slotted	722.00
RGP - HD Galvanized Perforated	722.00
RSS - HD Stainless Slotted	1,071.00
RSP - HD Stainless Perforated	1,071.00
PP - Polypropylene	593.00
SCI - Solid Cast Iron	790.00
LG - Less Grate	474.00

Channel Clips Order #	List Price Each
8189227	\$10.25



Catch Basins	Description	List Price Per Ft.
CB-624D	6x24x24 Catch Basin w/DI Frame	\$2,183.00
CB-624P	6x24x24 Catch Basin w/PP Frame	2,183.00
CB-624D-T	6x24x24 Catch Basin w/DI Frame, Trash Basket	2,350.00
CB-624P-T	6x24x24 Catch Basin w/PP Frame, Trash Basket	2,350.00
CB-2424	24x24x24 Catch Basin w/DI Grate	5,997.00
CB-2424T	24x24x24 Catch Basin w/DI Grate, Trash Basket	7,197.00
CB-2424-RGS	24x24x24 Catch Basin w/Galv. Grate	11,883.00
CB-2424T-RGS	24x24x24 Catch Basin w/Galv. Grate, Trash Basket	13,085.00
CB-2424-SS	24x24x24 Catch Basin w/SS Grate	12,654.00
CB-2424T-SS	24x24x24 Catch Basin w/SS Grate, Trash Basket	14,609.00



Frame Guards	EDP	Description	List Price Per Ft.
FG-BR	8187426	Decorative Bronze	\$392.50
FG-GV	8187100	Galvanized Steel	107.00
FG-SS	8187101	Stainless Steel	318.00



Consult factory for all applications outside of listed parameters.

Prices do not include applicable taxes.



# Dead Level® DX 12" Wide Pre-Sloped Trench Drain



**\*Per Ft. price includes:**

Complete Dead Level® System with Channels, Frames, Grates, Lockdowns, Frame Connectors, End Caps, Construction Covers, and Hardware as Required.

System Pricing	
Dead Level DX w/Ductile Iron Frame Grating Type	List Price Per Ft.*
DI - Ductile Iron	\$1,841.00
DI-ADA - ADA Ductile Iron	1,962.00
GDI - Galvanized Ductile Iron	2,181.00
RGP - HD Galvanized Perforated	1,921.00
RGS - HD Galvanized Slotted	1,921.00
RSP - HD Stainless Perforated	2,643.00
RSS - HD Stainless Slotted	2,643.00
SDI - Solid Ductile Iron	2,050.00
LG - Less Grate	1,268.00



Catch Basins	Description	List Price Per Ft.
CB-2424	24x24x24 Catch Basin w/DI Grate	\$5,997.00
CB-2424T	24x24x24 Catch Basin w/DI Grate, Trash Basket	7,197.00
CB-2424-RGS	24x24x24 Catch Basin w/Galvanized Grate	11,883.00
CB-2424T-RGS	24x24x24 Catch Basin w/Galvanized Grate, Trash Basket	13,085.00
CB-2424-SS	24x24x24 Catch Basin w/SS Grate	12,654.00
CB-2424T-SS	24x24x24 Catch Basin w/SS Grate, Trash Basket	14,609.00

Frame Guards	EDP	Description	List Price Per Ft.
-FGX-GV	8187690	Galvanized Steel	\$107.00
-FGX-SS	8187691	Stainless Steel	318.00



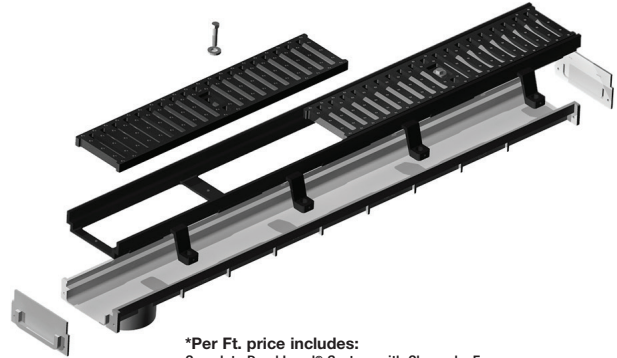
# Dead Level® Deck Channels

## Dead Level® S

## 6" Wide Deck Channel For Cast in Place

### System Pricing

Grating Type	List Price Per Ft.*
BK - Brickslot	\$1,158.00
BK-AC12 Brickslot Access Cover	2,181.00
BR - Decorative Bronze	1,160.00
DI - Ductile Iron	850.50
DI-ADA Ductile Iron ADA	908.50
GDI Galvanized Ductile Iron	1,006.00
GP Galvanized Perforated	738.00
GS Galvanized Slotted	738.00
SP Stainless Steel Perforated	1,092.00
SS Stainless Steel Slotted	1,092.00
RGP Reinforced Galvanized Perforated	870.00
RGS Reinforced Galvanized Slotted	870.00
RSP Reinforced Stainless Steel Perforated	1,217.00
RSS Reinforced Stainless Steel Slotted	1,217.00
PP Polypropylene	738.00
SCI Solid Cast Iron	935.50
LG Less Grate	616.50



\*Per Ft. price includes:  
Complete Dead Level® System with Channels, Frames,  
Grates, Lockdowns, Frame Connectors, End Caps, Construction  
Covers, and Hardware as Required.

Frame Guards	EDP	Description	List Price Per Ft.
FG-BR	8187426	Decorative Bronze	\$392.50
FG-GV	8187100	Galvanized Steel	107.00
FG-SS	8187101	Stainless Steel	318.00

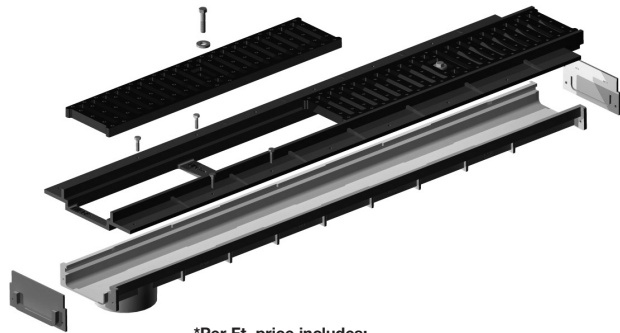
## Dead Level® Z

## 6" Wide Flanged Deck Channel For Precast

### System Pricing

Grating Type	List Price Per Ft.*
DI - Ductile Iron	\$850.50
DI-ADA Ductile Iron ADA	908.50
GDI Galvanized Ductile Iron	1,006.00
RGP HD Galvanized Perforated	870.00
RGS HD Galvanized Slotted	870.00
RSP HD Stainless Perforated	1,217.00
RSS HD Stainless Slotted	1,217.00

Frame Guards	EDP	Description	List Price Per Ft.
FG-BR	8187426	Decorative Bronze	\$392.50
FG-GV	8187100	Galvanized Steel	107.00
FG-SS	8187101	Stainless Steel	318.00



\*Per Ft. price includes:  
Complete Dead Level® System with Channels, Frames,  
Grates, Lockdowns, Frame Connectors, End Caps, Construction  
Covers, and Hardware as Required.

Consult factory for all applications outside of listed parameters.

Prices do not include applicable taxes.



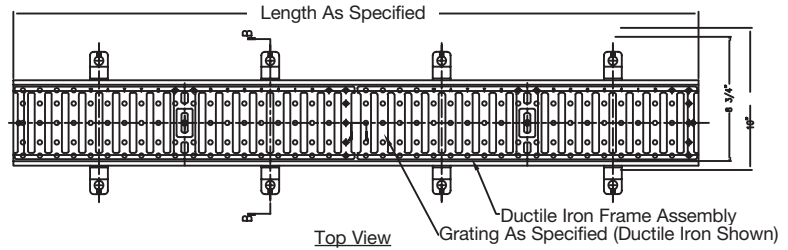
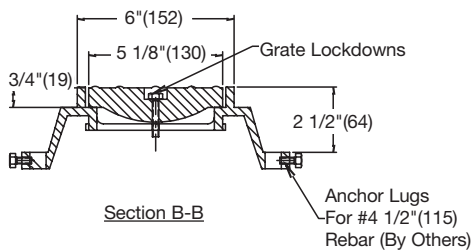


# Dead Level® 6" Wide Grate & Frame

**DL-GF**

**6" Wide Ductile Iron Trench Frame & Grating**

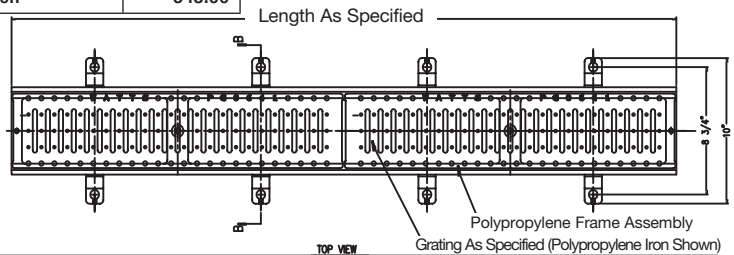
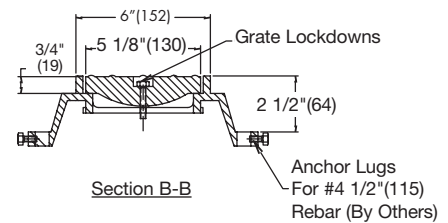
Model Number	Weight (lbs.)	Frame	Grating	List Price Per Ft.
DL-GF-BR	14 lbs./ft.	ductile iron	decorative bronze	\$911.00
DL-GF-DI	16 lbs./ft.	ductile iron	ductile iron	600.50
DL-GF-DI-ADA	16 lbs./ft.	ductile iron	ductile iron ADA	659.50
DL-GF-GDI	16 lbs./ft.	ductile iron	galvanized ductile iron	757.00
DL-GF-GP	11 lbs./ft.	ductile iron	galvanized perforated	492.50
DL-GF-GS	11 lbs./ft.	ductile iron	galvanized slotted	492.50
DL-GF-RGP	12 lbs./ft.	ductile iron	reinforced galvanized perforated	621.50
DL-GF-RGS	12 lbs./ft.	ductile iron	reinforced galvanized slotted	621.50
DL-GF-SP	11 lbs./ft.	ductile iron	stainless steel perforated	845.00
DL-GF-SS	11 lbs./ft.	ductile iron	stainless steel slotted	845.00
DL-GF-RSP	12 lbs./ft.	ductile iron	reinforced stainless steel perforated	970.00
DL-GF-RSS	12 lbs./ft.	ductile iron	reinforced stainless steel slotted	970.00
DL-GF-SCI	17 lbs./ft.	ductile iron	solid cast iron	689.00



**DLP-GF**

**6" Wide Polypropylene Trench Frame & Grating**

Model Number	Weight (lbs.)	Frame	Grating	List Price Per Ft.
DLP-GF-BR	6 lbs./ft.	polypropylene	decorative bronze	\$766.50
DLP-GF-DI	8 lbs./ft.	polypropylene	ductile iron	458.00
DLP-GF-DI-ADA	8 lbs./ft.	polypropylene	ductile iron ADA	514.00
DLP-GF-GDI	8 lbs./ft.	polypropylene	galvanized ductile iron	613.00
DLP-GF-GP	3 lbs./ft.	polypropylene	galvanized perforated	348.00
DLP-GF-GS	3 lbs./ft.	polypropylene	galvanized slotted	348.00
DLP-GF-PP	3 lbs./ft.	polypropylene	polypropylene	348.00
DLP-GF-RGP	4 lbs./ft.	polypropylene	reinforced galvanized perforated	476.50
DLP-GF-RGS	4 lbs./ft.	polypropylene	reinforced galvanized slotted	586.50
DLP-GF-SP	3 lbs./ft.	polypropylene	stainless steel perforated	700.00
DLP-GF-SS	3 lbs./ft.	polypropylene	stainless steel slotted	700.00
DLP-GF-RSP	4 lbs./ft.	polypropylene	reinforced stainless steel perforated	824.50
DLP-GF-RSS	4 lbs./ft.	polypropylene	reinforced stainless steel slotted	824.50
DLP-GF-SCI	9 lbs./ft.	polypropylene	solid cast iron	543.00



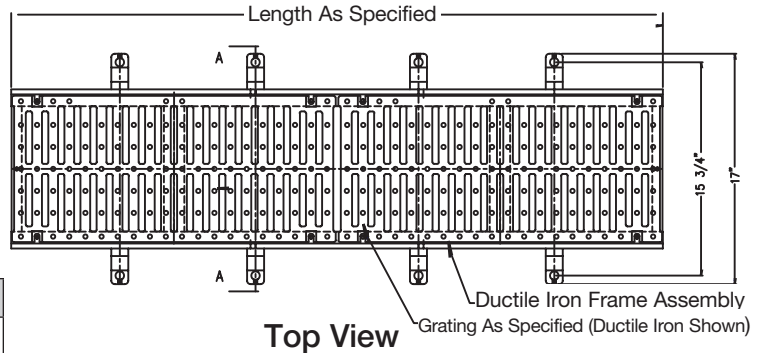
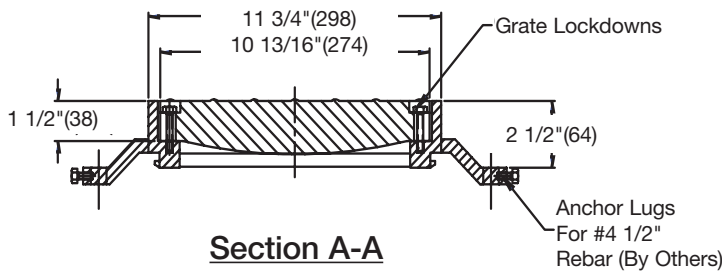
Frame Guards	EDP	Description	List Price Per Ft.
FG-BR	8187426	Decorative Bronze	\$392.50
FG-GV	8187100	Galvanized Steel	107.00
FG-SS	8187101	Stainless Steel	318.00

**WATTS®** Consult factory for all applications outside of listed parameters.  
Prices do not include applicable taxes.

# Dead Level® 12" Wide Grate & Frame

## DX-GF 12" Wide Ductile Iron Trench Frame & Grating

Model Number	Weight (lbs.)	Frame	Grating	List Price Per Ft.
DX-GF-DI	32 lbs./ft.	ductile iron	ductile iron	\$1,175.00
DX-GF-DI-ADA	32 lbs./ft.	ductile iron	ductile iron ADA	1,296.00
DX-GF-GDI	32 lbs./ft.	ductile iron	galvanized ductile iron	1,517.00
DX-GF-RGP	22 lbs./ft.	ductile iron	reinforced galvanized perforated	1,253.00
DX-GF-RGS	22 lbs./ft.	ductile iron	reinforced galvanized slotted	1,253.00
DX-GF-RSP	22 lbs./ft.	ductile iron	reinforced stainless steel perforated	1,978.00
DX-GF-RSS	22 lbs./ft.	ductile iron	reinforced stainless steel slotted	1,978.00
DX-GF-SCI	33 lbs./ft.	ductile iron	solid ductile iron	1,385.00



Frame Guards	EDP	Description	List Price Per Ft.
FG-BR	8187426	Decorative Bronze	\$392.50
FG-GV	8187100	Galvanized Steel	107.00
FG-SS	8187101	Stainless Steel	318.00

Consult factory for all applications outside of listed parameters.

Prices do not include applicable taxes.



# Green Roof Drains

## Table Of Contents

- Pictorial Index
- Recommendations
- Green Roof Drainage
  - Placement & Sizing
  - Materials
  - Pipe Connections
  - Commonly Specified Options
  - Typical Installations



# Green Roof Drains

## Pictorial Index



**GRD-610**  
Green Roof Large  
Planter Drain



**GRD-610-W**  
Green Roof Large  
Planter Overflow Drain



**GRD-620**  
Green Roof Plaza Area  
Drain



**GRD-630**  
Green Roof Intensive  
Area Drain



**GRD-640**  
Green Roof Metered  
Overflow Drain



**GRD-650**  
Green Roof Multi-Level  
Planter Drain



**GRD-670**  
Green Roof Drain  
w/Auxiliary Inlet



**GRD-680**  
Green Roof Planter Drain  
with Traffic Grate



**GRD-690**  
Green Roof Shallow  
Planter Drain



**GRD-730**  
Green Roof Large Multi-  
Level Planter Drain

# Green Roof Drains

## Recommendations

### Application

Extensive Area Primary.....	GRD-650, GRD-610
Intensive Area Primary.....	GRD-630
Maintenance Walkway.....	GRD-680
Multi-Level.....	GRD-650, GRD-730
Overflow.....	GRD-610-W, GRD-640
Planting Area Primary.....	GRD-610, GRD-670
Plaza Area.....	GRD-620

### Product

## Green Roof Drainage

Drainage is a critical aspect of green roof design and construction. Excessive accumulation of water in planting mediums can add considerable weight to a roof structure, creating a potentially hazardous condition.

*Extensive* green roof systems are comprised of grasses and vegetation requiring minimum or no maintenance. These systems typically have a soil depth of approx. 6", and an overall build-up of 12" or less above the structural roof.

*Intensive* green roof systems generally have a much deeper soil depth, and can incorporate bushes, trees, shrubs, and other decorative plants. Extensive green roof systems are designed to be regularly visited and maintained. Properly designed drainage is critical to ensure efficient water removal, and keep vegetation from interfering with drains.

### Placement & Sizing

Refer to standard Roof Drain Placement & Sizing on p.100.

### Materials

#### Cast iron epoxy coated\*

Industrial grade cast iron, finished with Watts gray acid resistant epoxy coating.

*Note: \* Watts Drainage standard epoxy coating is designed for interim protection of iron components during processing, shipping, and construction. It is not intended to protect surfaces subject to traffic, or environmental conditions. Exposed iron surfaces should be expected to show surface oxidation (rusting) after a short period of time.*

#### Domes

Standard non-rusting aluminum, covered with type 304 stainless steel mesh.

#### Perforated ABS

Standard 4" sch. 40 pipe size with 1/2" dia. perforations.

#### Perforated stainless steel

20 gauge, 3/8" dia. perforations, in accordance with ASTM-351-Grade CF8 (Type 304) standard specification.

### Pipe Connections

#### No hub (standard)

Butt connection using a no hub or neoprene coupling. Suitable for cast iron, plastic, and most other piping applications.

#### Push-on (-P)

ASTM C-564 gasket connection, with pipe stop. Suitable for no hub service weight cast iron, sch. 40 plastic, and steel pipe. Not recommended for above grade.

#### Inside caulk (-X)

Used for lead and oakum joints, pipe is inserted through a caulk ring on the drain outlet.

#### PVC (-60) or ABS (-61) socket

For direct solvent weld connection to sch. 40 plastic pipe.

#### Threaded (-THD)

Female threaded outlet for connection to IPS threaded pipe.



# Green Roof Drains

## Green Roof Drainage

### Commonly Specified Options

#### -13 Galvanized body and flashing clamp

Standard zinc galvanizing, typically specified in coastal environments.

#### -B Sump Receiver

Receives roof drain flange for installation flush with the roof deck, eliminating stress on the roofing membrane, and potential puddling around the drain.

#### -D Underdeck Clamp

Install on the underside of the roof deck, securely fastens the roof drain to the deck.

#### -F Deck Flange / Adjustable Extension

10 ga. zinc plated steel flange creates a structurally sound mounting surface over the roof penetration, and enables the drain to be elevated to the insulation height. *Note: a separate sump receiver is not required when a drain is specified with -F Deck Flange / Adjustable Extension.*

#### -L Vandal Proof Dome

Dome secured with Allen head bolts.

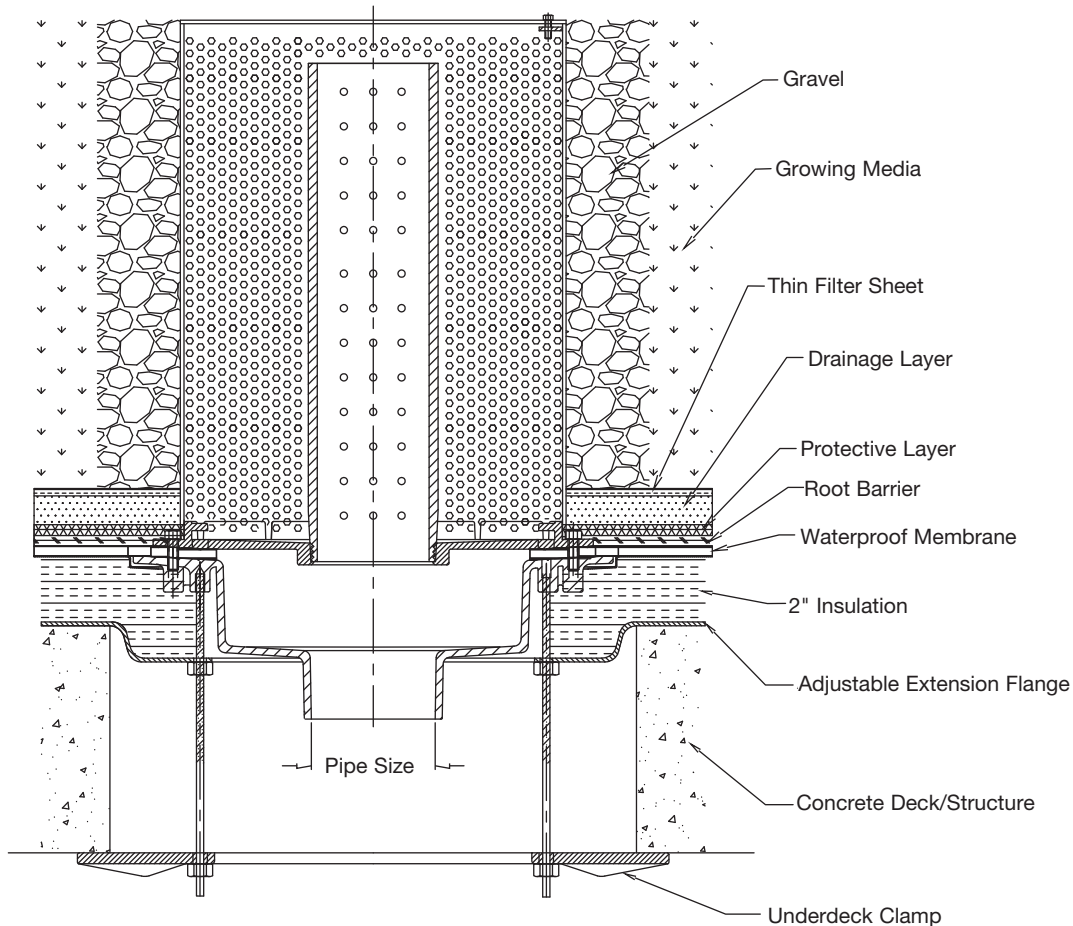
#### -US Buy American Compliant

Product will be supplied with minimum 51% domestic content, in compliance with FAR 52.225-9 Buy American Act.

## Typical Installations

### GRD-630

#### INTENSIVE AREA



Consult factory for all applications outside of listed parameters.

Prices do not include applicable taxes.

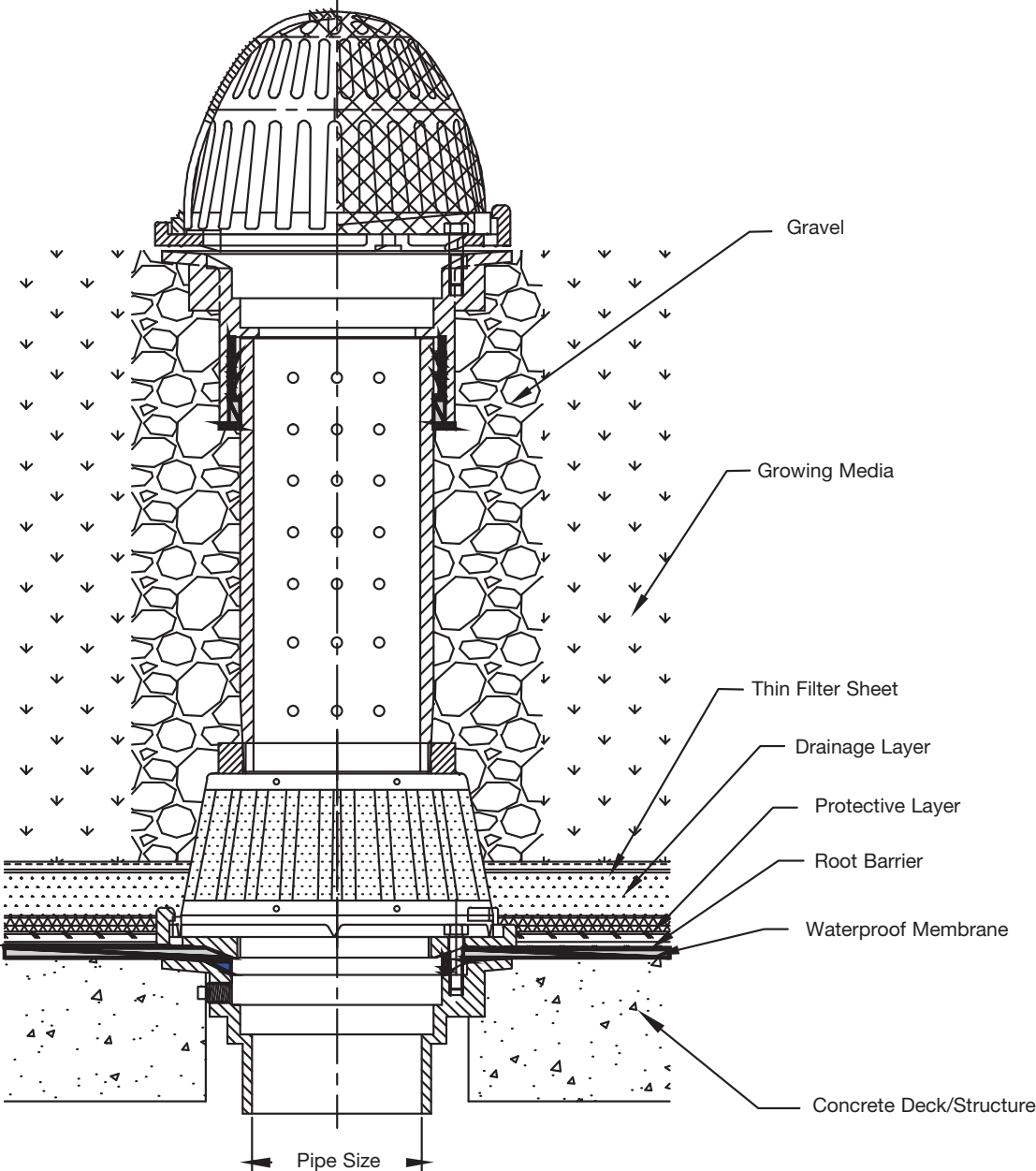


# Green Roof Drains

## Typical Installations

### GRD-650

MULTI-LEVEL PLANTING AREA



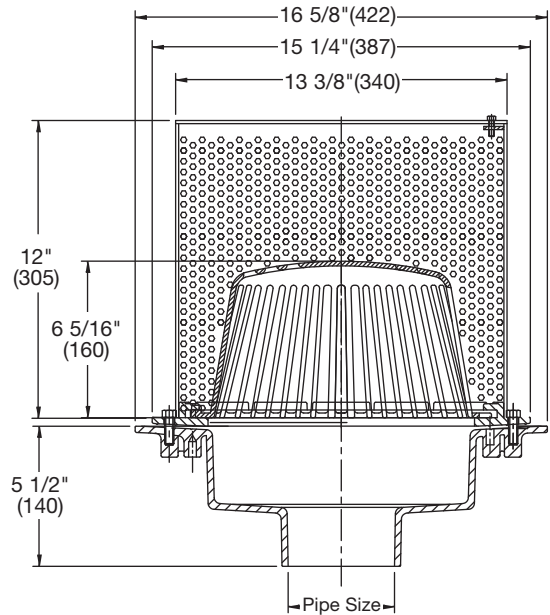
Consult factory for all applications outside of listed parameters.  
Prices do not include applicable taxes.

# Green Roof Drains

## GRD-610

## Green Roof Large Planter Drain

Model Number	Outlet Size	WT., lbs.	List Price
GRD-612, 3, 4, 5, 6, 8, 10	2,3,4,5,6,8,10"	32	\$3,165.00



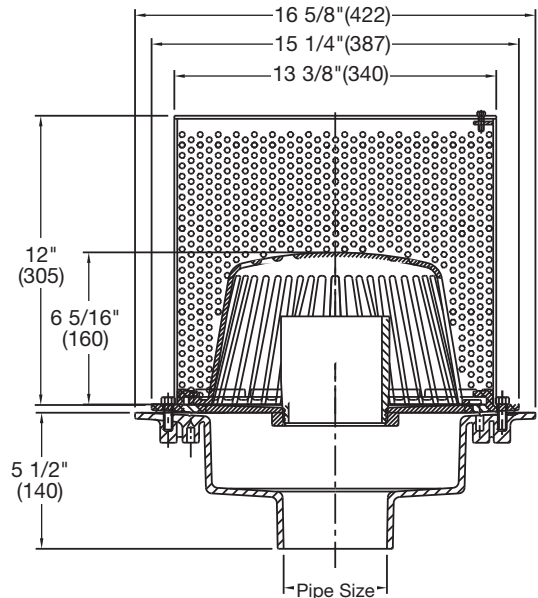
### Options for GRD-610

Suffix	Description	List Price
-13	Galvanized Body & Clamp	\$1,276.00
-B	Sump Receiver	359.00
-D	Underdeck Clamp	321.50
-F	Deck Flange/Adj. Extension	879.00

## GRD-610-W

## Green Roof Large Planter Overflow Drain

Model Number	Outlet Size	WT., lbs.	List Price
GRD-612, 3, 4, 5, 6, 8, 10-W	2,3,4,5,6,8,10"	37	\$3,668.00



### Options for GRD-610-W

Suffix	Description	List Price
-13	Galvanized Body & Clamp	\$1,276.00
-B	Sump Receiver	359.00
-D	Underdeck Clamp	321.50
-F	Deck Flange/Adj. Extension	879.00
-W2	2" Internal Standpipe	No Add

Consult factory for all applications outside of listed parameters.

Prices do not include applicable taxes.



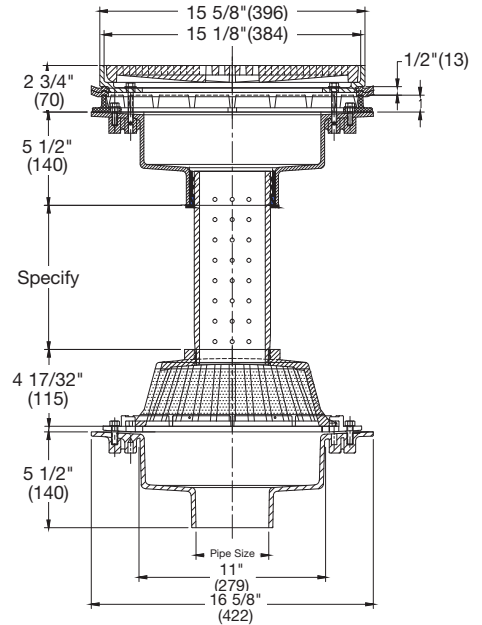


# Green Roof Drains

## GRD-620

## Green Roof Plaza Area Drain

Model Number	Outlet Size	Grate	WT., lbs.	List Price
GRD-622, 3, 4, 5, 6, 8, 10	2,3,4,5,6,8,10"	nickel bronze	130	\$5,623.00



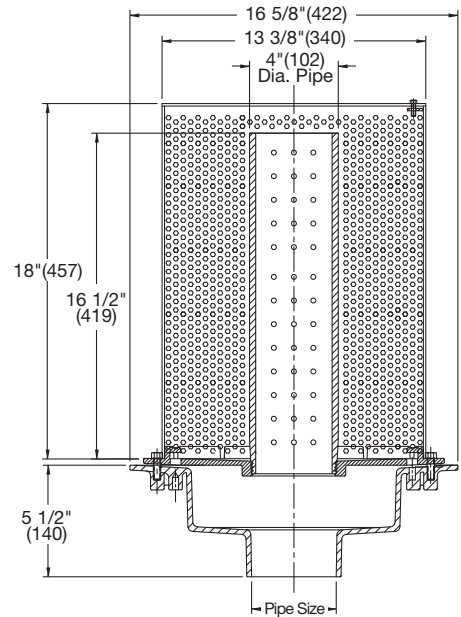
### Options for GRD-620

Suffix	Description	List Price	Suffix	Description	List Price
-5	Sediment Bucket	\$342.50	-B	Sump Receiver	\$359.00
-6	Vandal Proof	196.50	-D	Underdeck Clamp	321.50
-13	Galvanized Body & Clamp	2,550.00	-F	Deck Flange/Adj. Extension	879.00

## GRD-630

## Green Roof Intensive Area Drain

Model Number	Outlet Size	WT., lbs.	List Price
GRD-632, 3, 4, 5, 6, 8, 10	2,3,4,5,6,8,10"	34	\$3,799.00



### Options for GRD-630

Suffix	Description	List Price
-13	Galvanized Body & Clamp	\$1,276.00
-B	Sump Receiver	359.00
-D	Underdeck Clamp	321.50
-F	Deck Flange/Adj. Extension	879.00



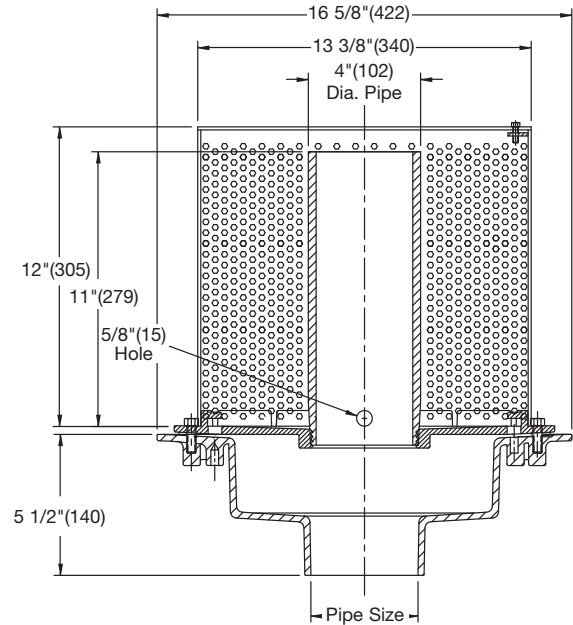
Consult factory for all applications outside of listed parameters.  
Prices do not include applicable taxes.

# Green Roof Drains

## GRD-640

## Green Roof Metered Overflow Drain

Model Number	Outlet Size	WT., lbs.	List Price
GRD-642, 3, 4, 5, 6, 8, 10	2,3,4,5,6,8,10"	37	\$2,985.00



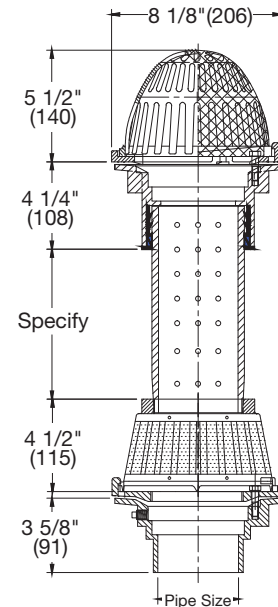
### Options for GRD-640

Suffix	Description	List Price
-13	Galvanized Body & Clamp	\$1,276.00
-B	Sump Receiver	359.00
-D	Underdeck Clamp	321.50
-F	Deck Flange/Adj. Extension	879.00

## GRD-650

## Green Roof Multi-Level Planter Drain

Model Number	Outlet Size	WT., lbs.	List Price
GRD-652, 3, 4	2,3,4,\"	29	\$2,851.00



### Options for GRD-650

Suffix	Description	List Price	Suffix	Description	List Price
-5	Sediment Bucket	\$185.00	-D	Underdeck Clamp	\$199.00
-6	Vandal Proof	196.50	-F	Deck Flange/Adj. Extension	666.50
-13	Galvanized Body & Clamp	526.50	-S0	Side Outlet	292.00
-B	Sump Receiver	342.50			

Consult factory for all applications outside of listed parameters.

Prices do not include applicable taxes.

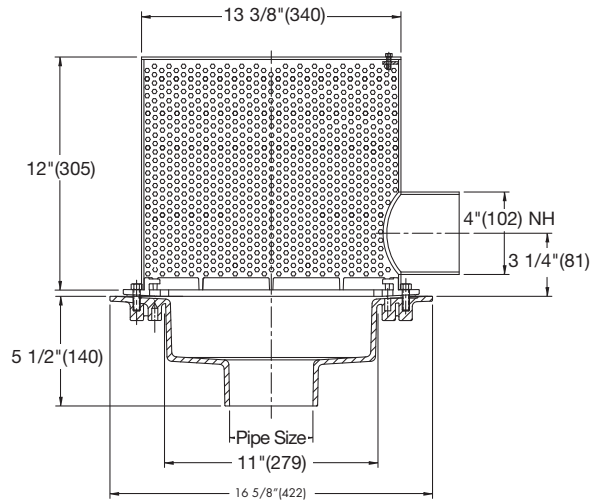


# Green Roof Drains

## GRD-670

## Green Roof Drain w/Auxiliary Inlet

Model Number	Outlet Size	WT., lbs.	List Price
GRD-672, 3, 4, 5, 6, 8, 10	2,3,4,5,6,8,10"	38	\$4,979.00



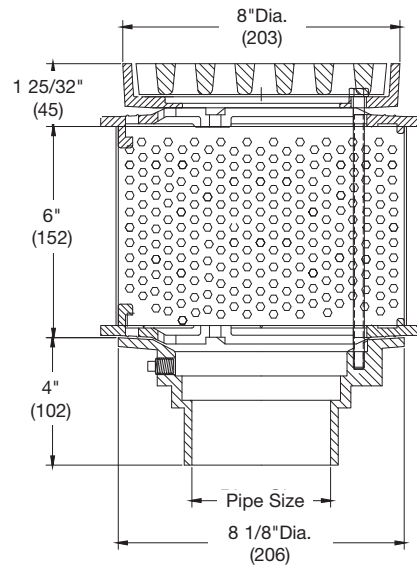
### Options for GRD-670

Suffix	Description	List Price
-13	Galvanized Body & Clamp	\$1,276.00
-B	Sump Receiver	359.00
-D	Underdeck Clamp	321.50
-F	Deck Flange/Adj. Extension	879.00
-Q	Additional Inlet(s)	342.50 ea.

## GRD-680

## Green Roof Planter Drain w/ Traffic Grate

Model Number	Outlet Size	Grate	WT., lbs.	List Price
GRD-682, 3, 4,	2,3,4,"	ductile iron	22	\$2,718.00



### Options for GRD-680

Suffix	Description	List Price	Suffix	Description	List Price
-1	All Nickel Bronze Top	\$819.00	-D	Underdeck Clamp	\$199.00
-6	Vandal Proof	196.50	-F	Deck Flange/Adj. Extension	666.50
-13	Galvanized Body & Clamp	526.50	-SO	Side Outlet	292.00
-B	Sump Receiver	342.50			



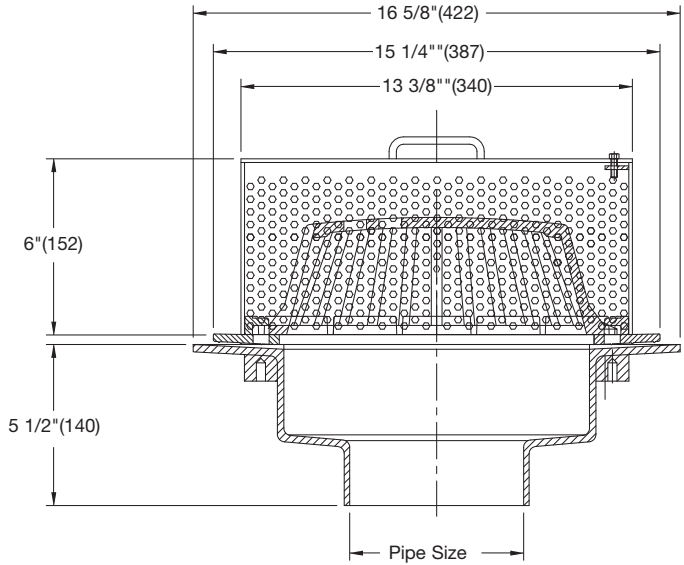
Consult factory for all applications outside of listed parameters.  
Prices do not include applicable taxes.

# Green Roof Drains

## GRD-690

## Green Roof Shallow Planter Drain

Model Number	Outlet Size	WT., lbs.	List Price
GRD-692, 3, 4, 5, 6, 8, 10	2,3,4,5,6,8,10"	34	\$3,321.00



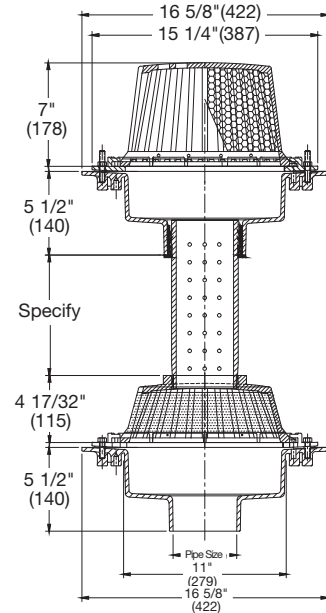
### Options for GRD-690

Suffix	Description	List Price
-13	Galvanized Body & Clamp	\$1,276.00
-B	Sump Receiver	359.00
-D	Underdeck Clamp	321.50
-F	Deck Flange/Adj. Extension	879.00

## GRD-730

## Green Roof Large Multi-Level Planter Drain

Model Number	Outlet Size	WT., lbs.	List Price
GRD-732, 3, 4, 5, 6, 8, 10	2,3,4,5,6,8,10"	74	\$3,716.00



### Options for GRD-730

Suffix	Description	List Price
-5	Sediment Bucket	\$342.50
-6	Vandal Proof	196.50
-13	Galvanized Body & Clamp	2,550.00
-B	Sump Receiver	359.00
-D	Underdeck Clamp	321.50
-F	Deck Flange/Adj. Extension	879.00

Consult factory for all applications outside of listed parameters.

Prices do not include applicable taxes.



# Roof Drains

## Table Of Contents

- Pictorial Index
- Product Recommendations
- Roof Drain Selection Factors
  - Placement
  - Sizing
  - Materials
  - Pipe Connections
  - Commonly Specified Options
- Typical Installations



# Roof Drains

## Pictorial Index



**RD-100**  
Roof Drain



**RD-100-85**  
IRMA  
Roof Drain



**RD-100-CP**  
Roof Drain with  
12" x 12" Promenade Top



**RD-100-CP-85**  
IRMA Roof Drain  
w/12"x12" Promenade Top



**RD-100-F**  
Roof Drain w/Deck  
Flange/Adj. Extension



**RD-100-R**  
Roof Drain with  
2 in. External Water Dam



**RD-100-SO**  
Roof Drain with Side Outlet



**RD-100-W**  
Roof Drain with 4"  
Internal Standpipe



**RD-200**  
Small Area Roof Drain



**RD-200-CP**  
Small Area Roof Drain with  
Promenade Top



**RD-200-CP-85**  
IRMA Roof Drain with 8 in.  
Promenade Top



**RD-200-R**  
Small Area Roof Drain with  
2 in. External Water Dam



**RD-200-SO**  
Side Outlet Roof Drain



**RD-200-W**  
Small Area Roof Drain with  
4" Internal Standpipe



**RD-230**  
Side Outlet Balcony Drain



**RD-240**  
Bottom Outlet Balcony  
Drain

Consult factory for all applications outside of listed parameters.  
Prices do not include applicable taxes.

**WATTS®**

# Roof Drains

## Pictorial Index



**RD-250**  
One-Piece Combination  
Roof Drain



**RD-260**  
Combination Roof Drain &  
Secondary Overflow



**RD-270**  
Scupper Drain with Angle  
Grate



**RD-280**  
Flanged Cast Iron  
Roof Drain



**RD-280-SO**  
Flanged Cast Iron Roof  
Drain with Side Outlet



**RD-290**  
Scupper Drain  
w/Flat Grate



**RD-300**  
High Volume Roof Drain



**RD-300-AC**  
Adj. Ext. Compression  
Seal Roof Drain



**RD-300-AE**  
Adj. Ext. Threaded  
Seal Roof Drain



**RD-300-85**  
High Volume  
IRMA Roof Drain



**RD-300-CP15**  
Roof Drain with 15 x15 in.  
Promenade Top



**RD-300-CP15-85**  
IRMA Roof Drain  
w/15"x15" Promenade Top



**RD-300-F**  
High Volume Roof Drain w/  
Deck Flange/Adj. Extension



**RD-300-R**  
High Volume Roof Drain w/  
2 in. External Water Dam



**RD-300-W**  
High Volume Roof Drain  
w/4 in. Internal Standpipe



**RD-400**  
12 in. Dia.  
Deck Receptor Drain

# Roof Drains

## Pictorial Index

			
<b>RD-410</b> 8 in. Dia. Deck Receptor Drain	<b>RD-500</b> Super Flow Roof Drain	<b>RD-680-VC</b> Cast Iron Vent Cap	<b>RD-700</b> Dual Outlet Roof Drain/ Overflow
			
<b>RD-700-CT</b> Dual Outlet Roof Drain/ Overflow	<b>RD-800</b> Dual Outlet Large Capacity Roof Drain/Overflow	<b>RD-800-CT</b> Dual Outlet Large Capacity Roof Drain/Overflow	<b>RD-900</b> Neoprene Expansion Coupling
			
<b>RD-940</b> Downspout Nozzle	<b>RD-950</b> Stainless Steel Downspout Cover	<b>RD-970/RD-980</b> Downspout Boots	

## Recommendations

### Application

Balcony or Canopy  
Combination Primary/Overflow  
Deck Receptor  
Downspout Nozzle/Cover  
Downspout Boot  
IRMA  
Primary Roof Drain  
Primary Roof Overflow  
Promenade Area  
Promenade Area IRMA  
Scupper or Parapet

### Product

RD-230, RD-240  
RD-700  
RD-400, RD-410  
RD-940, RD-950  
RD-970 / RD-980  
RD-300-85  
RD-300, RD-300-F  
RD-300-R, RD-300-W  
RD-100-CP, RD-300-CP15  
RD-100-CP-85, RD-300-CP15-85  
RD-270, RD-290

Consult factory for all applications outside of listed parameters.  
Prices do not include applicable taxes.

**WATTS®**



# Roof Drains

## Roof Drain Selection Factors

### Sizing

- 1.) Calculate roof area (sq. ft.) to be drained.
- 2.) Determine the maximum hourly rainfall rate for your area. This information is available from your local weather bureau or code authority.
- 3.) Select leader (drain pipe) size. In general, increasing leader size will decrease the number of drains required.
- 4.) Reference leader size with hourly rainfall rate, to determine the roof area drained by each leader (Chart B).
- 5.) Divide roof area (1.) by area per leader (4.) to determine the number of drains required

**Chart A**

Leader Pipe Size Inches	Maximum Allowable Horizontal Projected Roof Areas Square Feet at Various Rainfall Rates					
	1 in./hr.	2 in./hr.	3 in./hr.	4 in./hr.	5 in./hr.	6 in./hr.
2	2176	1088	725	544	435	363
3	6440	3220	2147	1610	1288	1073
4	13840	6920	4613	3460	2768	2307
5	25120	12560	8373	6280	5024	4187
6	40800	20400	13600	10200	8160	6800
8	88000	44000	29333	22000	17600	14667

*Chart A is based on Table 11-1 from the Uniform Plumbing Code (UPC) - 2006 Edition*

**Chart B**

Allowable Flow (GPM) for Vertical Leaders and Horizontal Storm Drains <sup>2</sup>				
Pipe Size Inches	Vertical Leader	Horizontal Storm Drain / Slope		
		1/8"/ft.	1/4"/ft.	1/2"/ft.
2	23	10	15	20
3	67	34	48	68
4	144	78	110	156
5	261	139	196	278
6	424	222	314	445
8	913	478	677	956
10	-	860	1214	1721
12	-	1384	1953	2768
15	-	2473	3491	4946

*Chart B is based on Table 11-2 from the Uniform Plumbing Code (UPC) - 2006 Edition*

# Roof Drains

## Roof Drain Selection Factors

### Materials

#### Cast iron epoxy coated\*

Industrial grade cast iron, finished with Watts gray acid resistant epoxy coating.

*NOTE: Watts drainage standard epoxy coating is designed for interim protection of iron components during processing, shipping, and construction. It is not intended to protect surfaces subject to traffic, or environmental conditions. Exposed iron surfaces should be expected to show surface oxidation (rusting) after a short period of time.*

#### PVC or ABS

Select roof drains can be specified with optional PVC (-60) or ABS (-61) plastic bodies for direct sch. 40 solvent weld connection.

#### Poly domes

UV stabilized high density polyethylene, high resistance to breakage and weathering.

### Pipe Connections

#### No Hub (standard)

Butt connection using a no hub or neoprene coupling. Suitable for cast iron, plastic, and most other piping applications.

#### Push-on (-P)

ASTM C-564 gasket connection, with pipe stop. Suitable for no hub or service weight cast iron, sch. 40 plastic, and steel pipe. Not recommended for above grade.

#### Inside Caulk (-X)

Used for lead and oakum joints, pipe is inserted through a caulk ring on the drain outlet.

#### PVC (-60) or ABS (-61) socket

For direct solvent weld connection to sch. 40 plastic pipe.

#### Threaded (-THD)

Female threaded outlet for connection to IPS threaded pipe.

### Commonly Specified Options

#### -13 Galvanized body and flashing clamp

Standard zinc galvanizing, typically specified in coastal environments.

#### -85 4" High Perforated SS Extension

For IRMA roof applications, allows drainage through insulation area.

#### -B Sump Receiver

Receives roof drain flange for installation flush with the roof deck, eliminating stress on the roofing membrane, and potential puddling around the drain.

#### -D Underdeck Clamp

Install on the underside of the roof deck, securely fastens the roof drain to the deck.

#### -F Deck Flange / Adjustable Extension

10 ga. zinc plated steel flange creates a structurally sound mounting surface over the roof penetration, and enables drain to be elevated to insulation height.

*Note: a separate sump receiver is not required when the drain is specified with a -F Deck Flange / Adjustable Extension.*

#### -GSS Stainless Steel Ballast Guard

4" high perforated stainless steel, protects drain area and dome in ballasted roof areas.

#### -K Ductile Iron Dome

Superior impact resistance compared to standard cast iron. Finished with standard grey epoxy coating.

#### -K13 Galvanized Ductile Iron Dome

Hot-dipped galvanized, superior impact resistance. Typically specified in coastal environments.

#### -K40 Ductile Iron Low Dome

Low profile, superior impact resistance compared to standard cast iron. Finished with standard grey epoxy coating.

#### -K80 Aluminum Dome

Corrosion resistant, finished with standard grey epoxy coating.

#### -K83 Stainless Steel Mesh Covered Aluminum Dome

Corrosion resistant, mesh prevents small debris from entering the drain.

#### -L Vandal Proof Dome

Dome secured with Allen head bolts.

#### -R 2" High External Water Dam

For emergency roof overflow drains, restricts drainage on roof surface below 2".

#### -US Buy American Compliant

Product will be supplied with minimum 51% domestic content, in compliance with FAR 52.225-9 Buy American Act.

#### -W 4" High Internal Water Dam

For emergency roof overflow drains, restricts drainage on roof surface below 4".

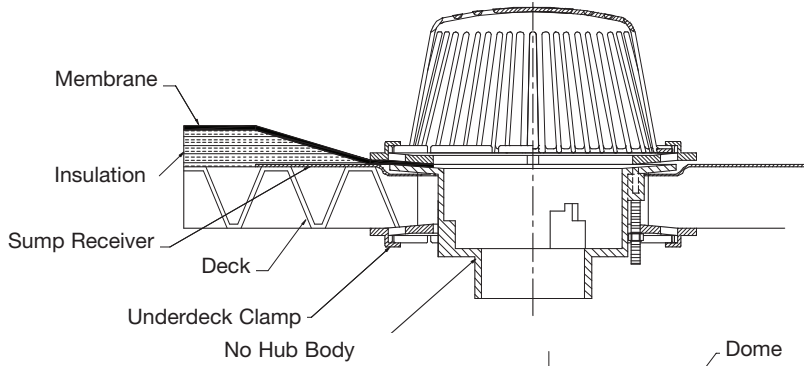
Consult factory for all applications outside of listed parameters.

Prices do not include applicable taxes.



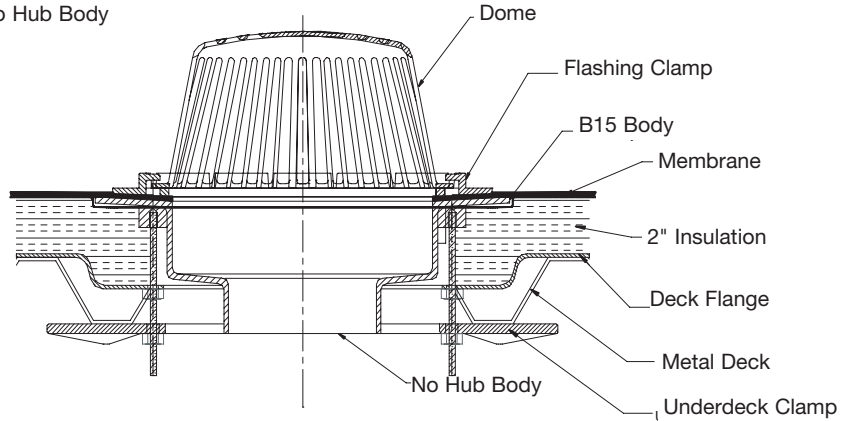
# Roof Drains

## Typical Installations

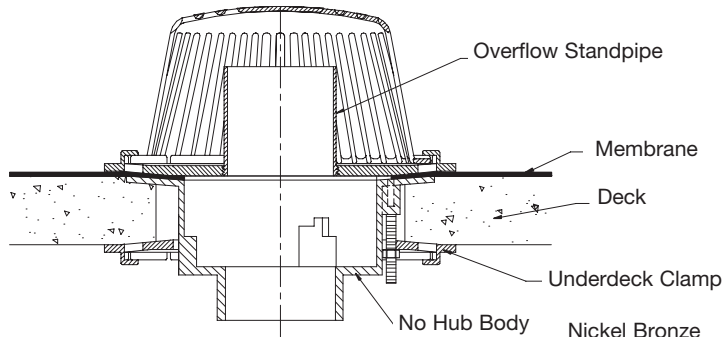


**RD-100-B-D**  
TAPERED INSULATION

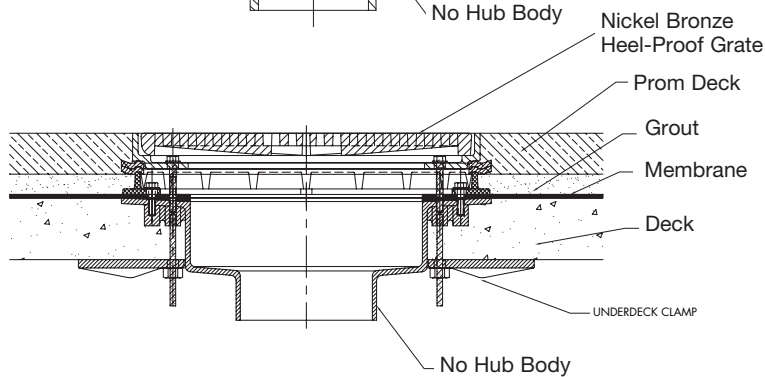
**RD-300-D-F**  
DRAIN ELEVATED TO  
INSULATION HEIGHT



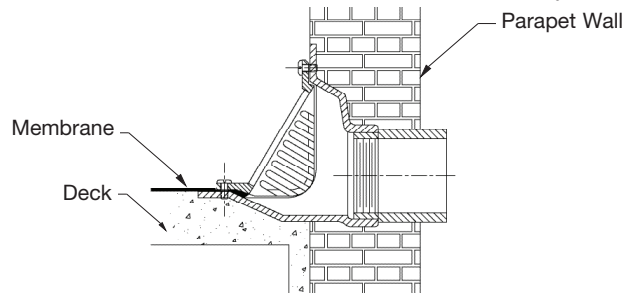
**RD-100-D-W**  
INTERNAL OVERFLOW



**RD-300-CP-15**  
PROMENADE AREA



**RD-270**  
SCUPPER OR PARAPET

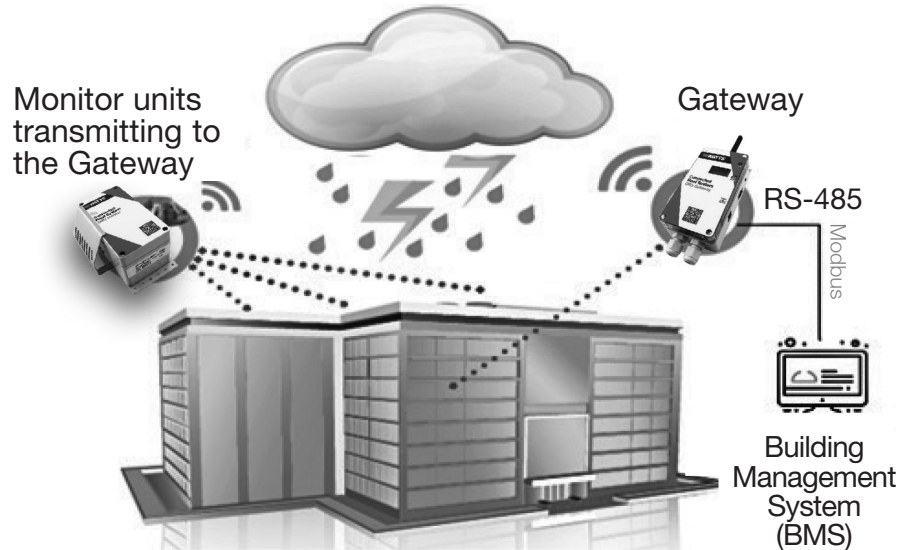


Consult factory for all applications outside of listed parameters.  
Prices do not include applicable taxes.

# Roof Drains

## Connected Roof System

Model	EDP #	List Price
CRS-Gateway	8200875	\$1,431.00
CRS-Monitor	8200874	712.00
CRS-External Antenna for Gateway	8200873	56.50



Gateway

### Gateway Specifications

Power Supply	
Voltage	5V DC 1A
Nominal power	0.5W
Electrical protection class	Class 3
Wireless	
Frequency	915 MHz
Antenna connector	SMA
Signal range	Up to 4921ft(1500m) in free line of sight
User Input	
Push Button	1
Display	
Type	0.96" OLED
Size	128*64 dot
SD Card	
Type, Size	MicroSDHC Class 4 or higher, 4GB
Relay	
Type	1RT NO/NC
Load Limit	230VAC 5A
Connection	3 pin screw terminals (Max. 1/2" <sup>2</sup> (1.5mm <sup>2</sup> ))
MODBUS	
Physical Layer	RS485
Baud Rate	Up to 115200 Bauds
Connection	3 pin screw terminals (Max 1.5mm <sup>2</sup> )
Termination	Yes, ON/OFF jumper configuration
Enclosure	
Size	4 3/4" x 2 1/2" x 1 1/2"(120 x 65 x 40mm)
Environmental	
Working Temperature	-10°C - 55°C / 14°F - 131°F
Storage Temperature	-30°C - 80°C / -22°F - 176°F
Humidity	Below 80% non-condensing



Monitor



Antenna

### Monitor Specifications

Power Supply	
Battery	Lithium battery LS 14500 3.6V (internal) AA
Battery Life	Up to 10 Years
Level Sensor	
Sensor Electrodes	Stainless A2
Enclosure	
IP Protection	IP68
Material	Anti-UV PC
Size	4 3/4" x 2 1/2" x 2 3/8"(120 x 65 x 60mm)
Environmental	
Working Temperature	-35°C - 85°C / -31°F - 185°F
Storage Temperature	-35°C - 85°C / -31°F - 185°F

Consult factory for all applications outside of listed parameters.

Prices do not include applicable taxes.



# Roof Drains

**RD-100**

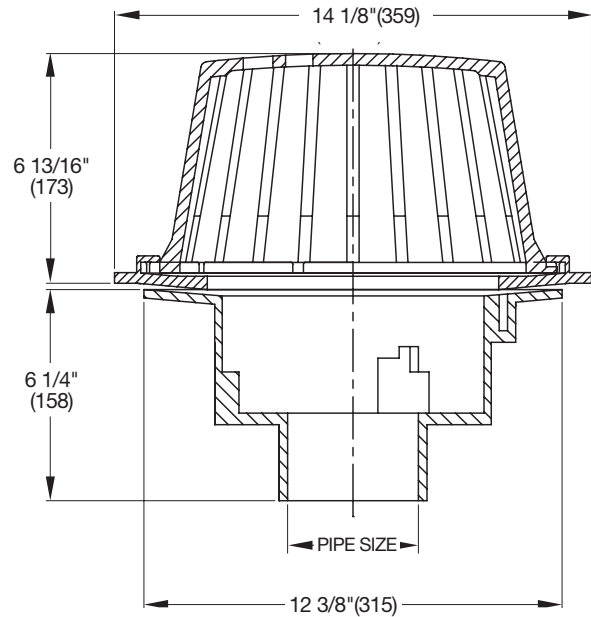
**Roof Drain**



Model Number	Outlet Size	WT., lbs.	List Price
RD-102, 3, 4	2,3,4,"	26	\$943.50
RD-105, 6	5, 6	26	1,347.00



Note: Poly Dome Standard



**RD-100-F**

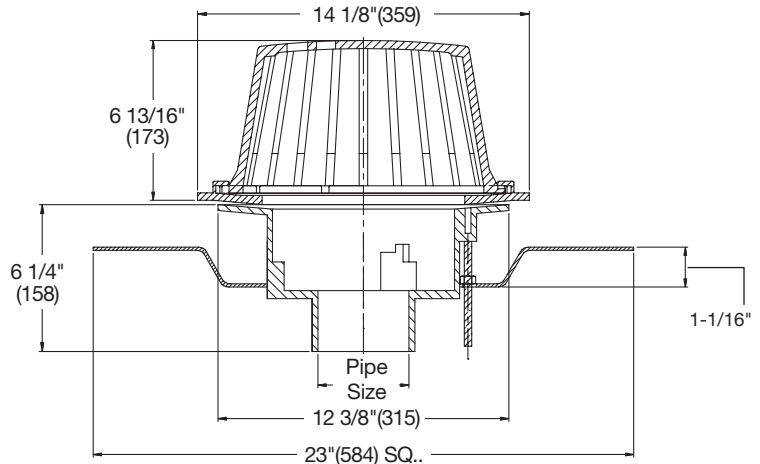
**Roof Drain with Adjustable Extension Flange**



Model Number	Outlet Size	WT., lbs.	List Price
RD-102, 3, 4-F	2,3,4,"	40	\$1,824.00
RD-105, 6-F	5, 6	40	2,226.00



Note: Poly Dome Standard



## Options for RD-100 Series:

Suffix	Description	List Price	Suffix	Description	List Price
None	No Hub	No Add	-GSS	Stainless Steel Ballast Guard	\$834.50
P	Push-On Outlet	No Add	-K	Ductile Iron Dome	281.50
T	Threaded Outlet	\$108.00	-K13	Galvanized Dome	758.50
X	Inside Caulk Outlet	No Add	-K40	Ductile Iron Low Dome (4" high)	281.50
-60	PVC Body w/Socket Outlet (2,3,4,6" only)	No Add	-K80	Aluminum Dome	327.00
-61	ABS Body w/Socket Outlet (2,3,4" only)	No Add	-K81	Rough Bronze Dome	1,103.00
-13	Galvanized Body & Flashing Clamp	1,276.00	-K83	SS Mesh Covered Aluminum Dome	994.00
-85	4" SS Perforated Extension	834.50	-L	Vandal Proof Dome	166.00
-A	Accutrol Flow Restrictor	1,568.00	-R	2" External Water Dam	308.50
-B	Sump Receiver	359.00	-SO	Side Outlet (2,3,4" only)	449.00
-D	Underdeck Clamp	321.50	-V	Fixed Extension	879.00
-F	Deck Flange/Adj. Extension	879.00	-W	Adjustable Internal Water Dam	564.50



Consult factory for all applications outside of listed parameters.  
Prices do not include applicable taxes.

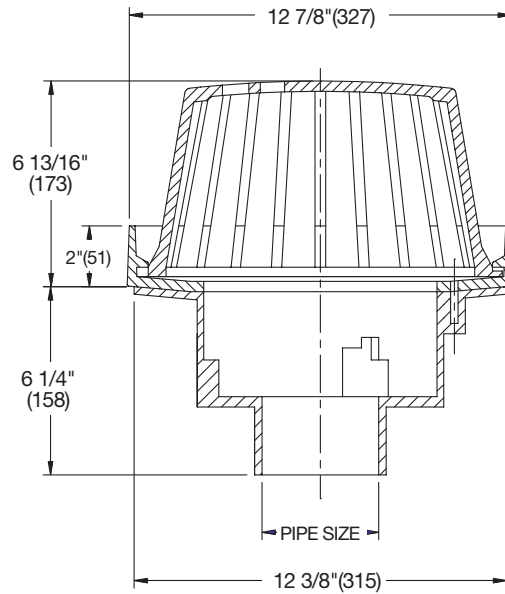
# Roof Drains

## RD-100-R

### Overflow Roof Drain with 2" External Water Dam



Model Number	Outlet Size	WT., lbs.	List Price
RD-102, 3, 4-R	2, 3, 4,"	27	\$1,251.00
RD-105, 6-R	5, 6	27	1,653.00



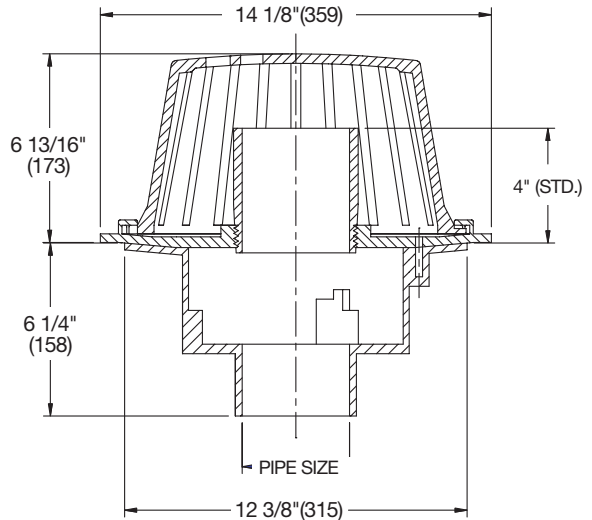
Note: Poly-Dome Standard

## RD-100-W

### Overflow Roof Drain with Internal Standpipe



Outlet Size	Outlet Size	WT., lbs.	List Price
RD-102, 3, 4-W	2, 3, 4"	32	\$1,508.00
RD-105, 6-W	5, 6"	32	1,910.00



Note: Poly Dome Standard

### Options for RD-100 Series:

Suffix	Description	List Price	Suffix	Description	List Price
None	No Hub	No Add	-GSS	Stainless Steel Ballast Guard	\$834.50
P	Push-On Outlet	No Add	-K	Ductile Iron Dome	281.50
T	Threaded Outlet	\$108.00	-K13	Galvanized Dome	758.50
X	Inside Caulk Outlet	No Add	-K40	Ductile Iron Low Dome (4" high)	281.50
-60	PVC Body w/Socket Outlet (2,3,4,6" only)	No Add	-K80	Aluminum Dome	327.00
-61	ABS Body w/Socket Outlet (2,3,4" only)	No Add	-K81	Rough Bronze Dome	1,103.00
-13	Galvanized Body & Flashing Clamp	1,276.00	-K83	SS Mesh Covered Aluminum Dome	994.00
-85	4" SS Perforated Extension	834.50	-L	Vandal Proof Dome	166.00
-A	Accutrol Flow Restrictor	1,568.00	-R	2" External Water Dam	308.50
-B	Sump Receiver	359.00	-SO	Side Outlet (2,3,4" only)	449.00
-D	Underdeck Clamp	321.50	-V	Fixed Extension	879.00
-F	Deck Flange/Adj. Extension	879.00	-W	Adjustable Internal Water Dam	564.50

Consult factory for all applications outside of listed parameters.

Prices do not include applicable taxes.



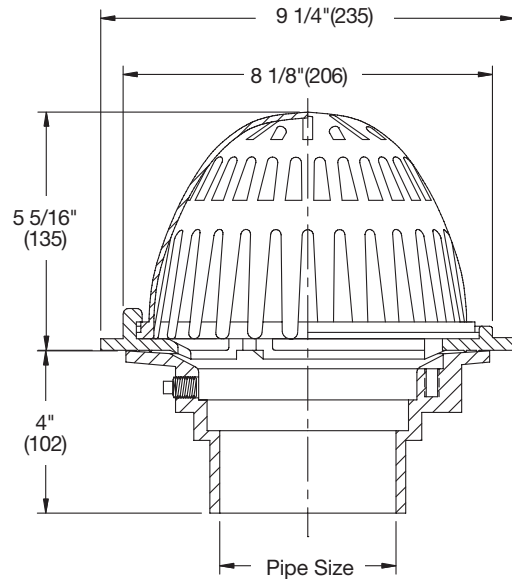
# Roof Drains

**RD-200**

**Small Area Roof Drain**



Model Number	Outlet Size	WT., lbs.	List Price
RD-202, 3, 4	2, 3, 4, "	15	\$655.50

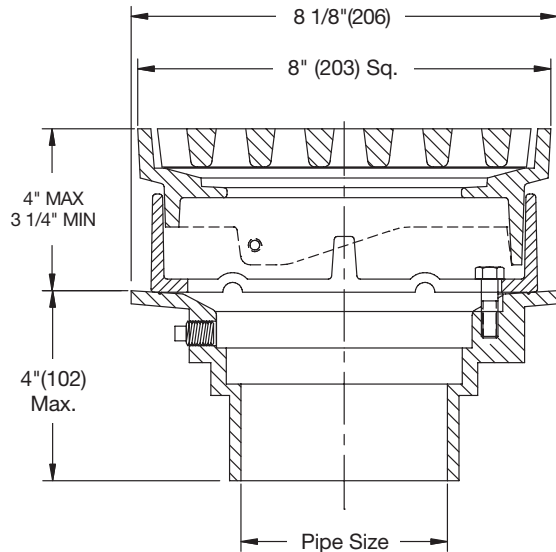


**RD-200-CP**

**Roof Drain with 8" x 8" Promenade Top**



Model Number	Outlet Size	WT., lbs.	Grate	List Price
RD-202, 3, 4-CP	2,3,4,"	22	ductile iron	\$1,096.00
RD-202, 3, 4-CP-1	2,3,4"	22	nickel bronze	2,358.00



**Options for RD-200 Series:**

Suffix	Description	List Price	Suffix	Description	List Price
None	No Hub	No Add	-K	Ductile Iron Dome	\$117.00
-5	Sediment Bucket	\$144.50	-K13	Galvanized Dome	318.50
-6	Vandal Proof Top (RD-200-CP)	196.00	-K80	Aluminum Dome	240.50
-9	Hinged Grate	346.00	-K81	Rough Bronze Dome	452.00
-13	Galvanized	262.00	-K83	SS Mesh Covered Aluminum Dome	593.00
-60	PVC Body w/Socket Outlet (2,3,4,6" Only)	No Add	-L	Vandal Proof Dome	153.00
-61	ABS Body w/Socket Outlet (2,3,4" Only)	No Add	-P	Push-On Outlet	No Add
-85	4" SS Perforated Extension	582.00	-R	2" External Water Dam	256.50
-B	Sump Receiver	342.50	-S0	Side Outlet	293.00
-D	Underdeck Clamp	199.00	-T	Threaded Outlet	108.00
-F	Deck Flange/Adj. Extension	666.50	W	Adjustable Internal Water Dam	494.50
-GSS	Stainless Steel Ballast Guard	615.50	-X	Inside Caulik Outlet	No Add

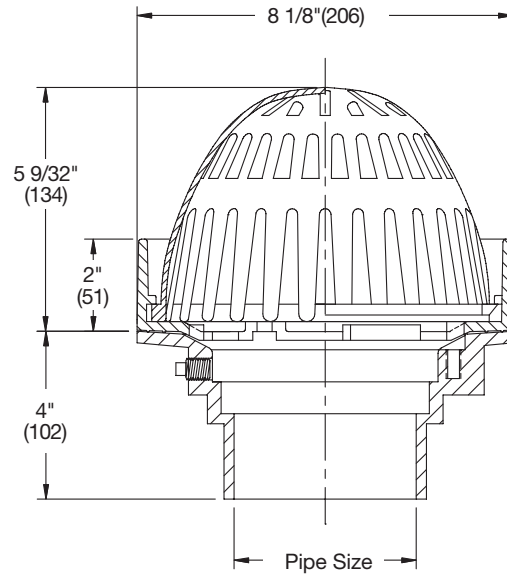
# Roof Drains

**RD-200-R**

**Overflow Roof Drain with 2" External Water Dam**



Model Number	Outlet Size	WT., lbs.	List Price
RD-202, 3, 4-R	2, 3, 4"	25	\$909.00

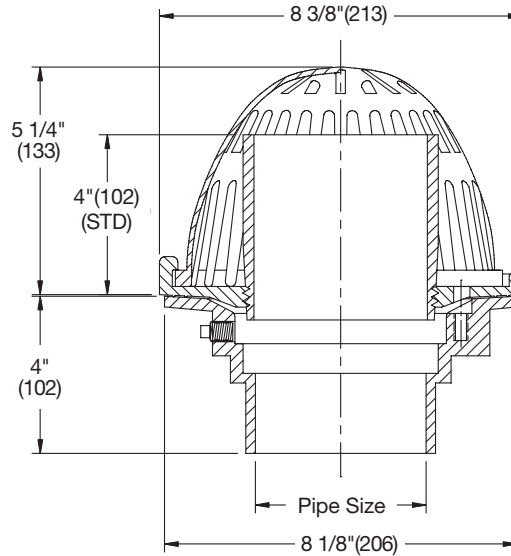


**RD-200-W**

**Overflow Roof Drain with Internal Standpipe**



Model Number	Outlet Size	WT., lbs.	List Price
RD-202, 3, 4-W	2, 3, 4"	25	\$1,146.00



**Options for RD-200 Series:**

Suffix	Description	List Price	Suffix	Description	List Price
None	No Hub	No Add	-K	Ductile Iron Dome	\$117.00
-5	Sediment Bucket	\$144.50	-K13	Galvanized Dome	318.50
-6	Vandal Proof Top (RD-200-CP)	196.00	-K80	Aluminum Dome	240.50
-9	Hinged Grate	346.00	-K81	Rough Bronze Dome	452.00
-13	Galvanized	262.00	-K83	SS Mesh Covered Aluminum Dome	593.00
-60	PVC Body w/Socket Outlet (2,3,4,6" Only)	No Add	-L	Vandal Proof Dome	153.00
-61	ABS Body w/Socket Outlet (2,3,4" Only)	No Add	-P	Push-On Outlet	No Add
-85	4" SS Perforated Extension	582.00	-R	2" External Water Dam	256.50
-B	Sump Receiver	342.50	-S0	Side Outlet	293.00
-D	Underdeck Clamp	199.00	-T	Threaded Outlet	108.00
-F	Deck Flange/Adj. Extension	666.50	W	Adjustable Internal Water Dam	494.50
-GSS	Stainless Steel Ballast Guard	615.50	-X	Inside Caulik Outlet	No Add

Consult factory for all applications outside of listed parameters.

Prices do not include applicable taxes.





# Balcony Drains

**RD-230**

**Side Outlet Balcony Drain**

Model Number	Outlet Size	WT., lbs.	List Price
RD-232, 3, 4	2, 3, 4"	10	\$986.50

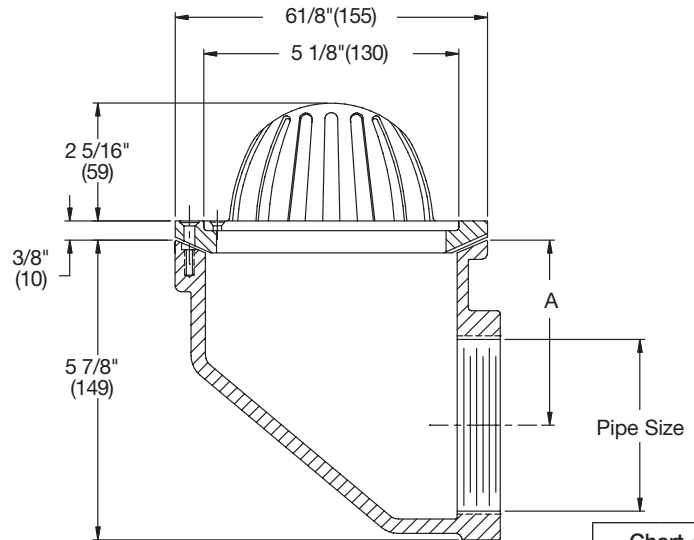
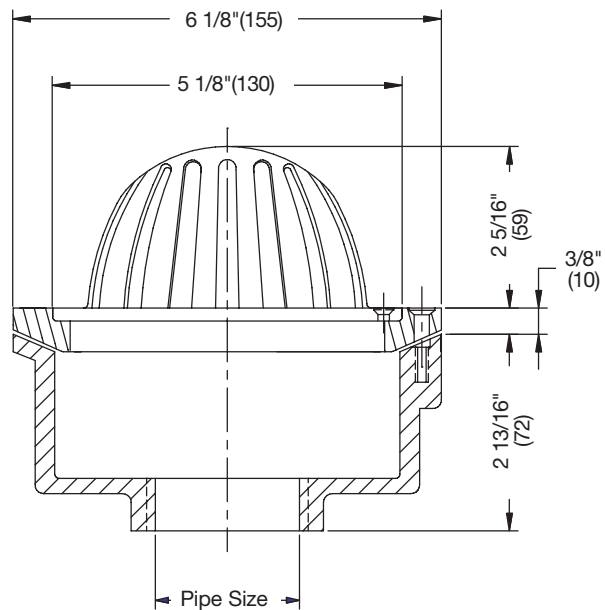


Chart A	
Size	A
2"	4 5/16"
3"	3 5/8"
4"	3 1/8"

**RD-240**

**Bottom Outlet Balcony Drain**

Model Number	Outlet Size	WT., lbs.	List Price
RD-242, 3, 4	2, 3, 4"	7	\$825.50



### Options for RD-230/240 Series:

Suffix	Description	List Price
-6	Vandal Proof	\$75.50
-13	Galvanized Body & Flashing Clamp	210.50
-14	Flat Grate	No Add
-83	SS Mesh Covered Dome	313.00



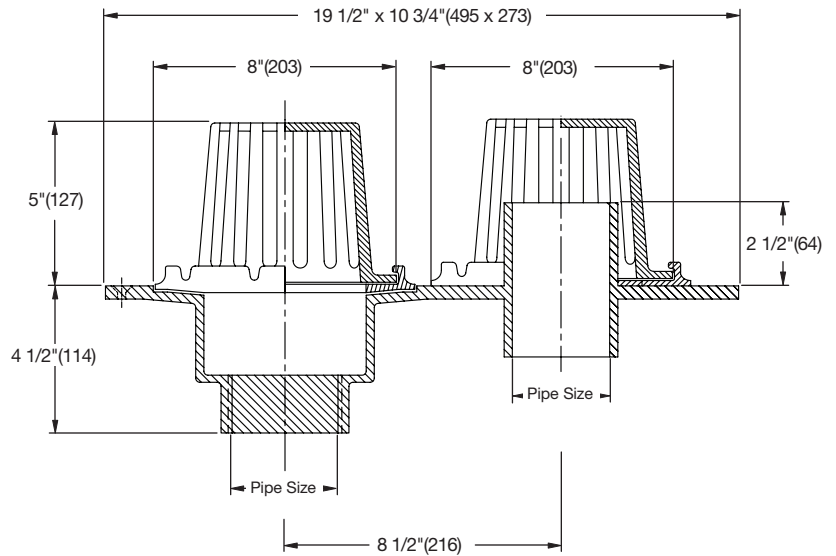
Consult factory for all applications outside of listed parameters.  
Prices do not include applicable taxes.

# Combination Roof Drains

**RD-250**

**Flanged Cast Iron Roof Drain/Overflow System**

Model Number	Outlet Size	WT., lbs.	List Price
RD-252, 3, 4	2, 3, 4"	28	\$1,128.00



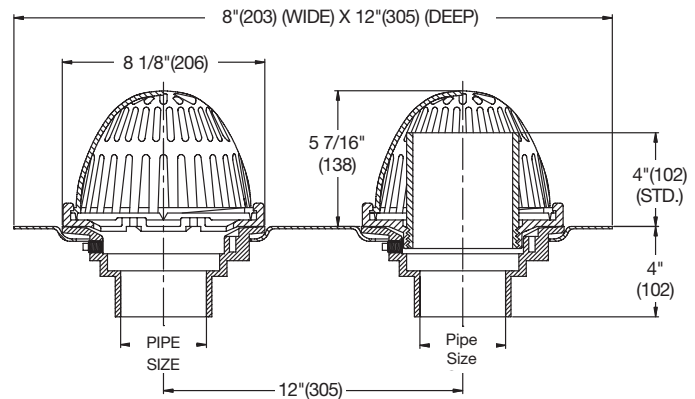
**Options for RD-250 Series:**

Suffix	Description	List Price
-L	Vandal Proof	No Add

**RD-260**

**Roof Drain/Overflow System**

Model Number	Outlet Size	WT., lbs.	List Price
RD-262, 3, 4	2, 3, 4"	36	\$1,533.00



**Options for RD-260 Series:**

Suffix	Description	List Price	Suffix	Description	List Price
None	No Hub	No Add	-GSS	Stainless Steel Ballast Guard	\$1,109.00
P	Push-On Outlet	No Add	-K	Ductile Iron Dome	209.00
T	Threaded Outlet	\$214.50	-K13	Galvanized Dome	635.00
X	Inside Caulk Outlet	No Add	-K80	Aluminum Dome	480.00
-60	PVC Body w/Socket Outlet	No Add	-K83	SS Mesh Covered Dome	1,186.00
-61	ABS Body w/Socket Outlet	No Add	-L	Vandal Proof Dome	307.00
-13	Galvanized Body & Flashing Clamp	526.50	-R	2" External Water Dam	No Add
-D	Underdeck Clamp	394.00			

Consult factory for all applications outside of listed parameters.

Prices do not include applicable taxes.

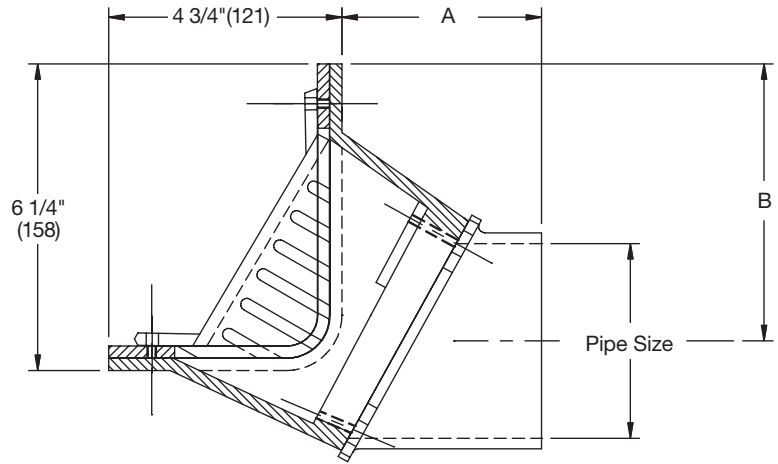


# Scupper Drains

**RD-270**

**Scupper Drain with Angle Grate**

Model Number	Outlet Size	WT., lbs.	List Price
RD-272, 3, 4	2, 3, 4"	20	\$944.50
RD-276	6"	22	1,600.00

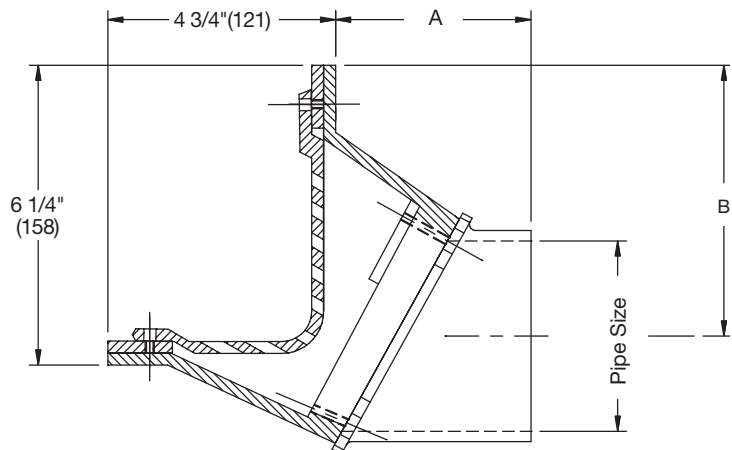


RD-270	NH		THD	
	A	B	A	B
2"	5-1/8"	6-1/2"	2-3/4"	6"
3"	4-1/2"	5-3/4"	2-3/4"	5-3/8"
4"	4"	5-1/8"	2-3/4"	4-7/8"

**RD-290**

**Scupper Drain with Flat Grate**

Model Number	Outlet Size	WT., lbs.	List Price
RD-292, 3, 4	2,3,4,"	24	\$894.00
RD-296	6"	26	1,679.00



**Options for RD-270 /290 Series:**

Suffix	Description	List Price
-A	45 Degree Outlet (NH Only)	No Add
-T	Threaded Outlet (2,3,4" Only)	No Add
-1	Nickel Bronze Grate & Frame	\$1,347.00
-6	Vandal Proof Grate	75.50
-13	Galvanized	319.50

RD-290	NH		THD	
	A	B	A	B
2"	5-1/8"	6-1/2"	2-3/4"	6"
3"	4-1/2"	5-3/4"	2-3/4"	5-3/8"
4"	4"	5-1/8"	2-3/4"	4-7/8"



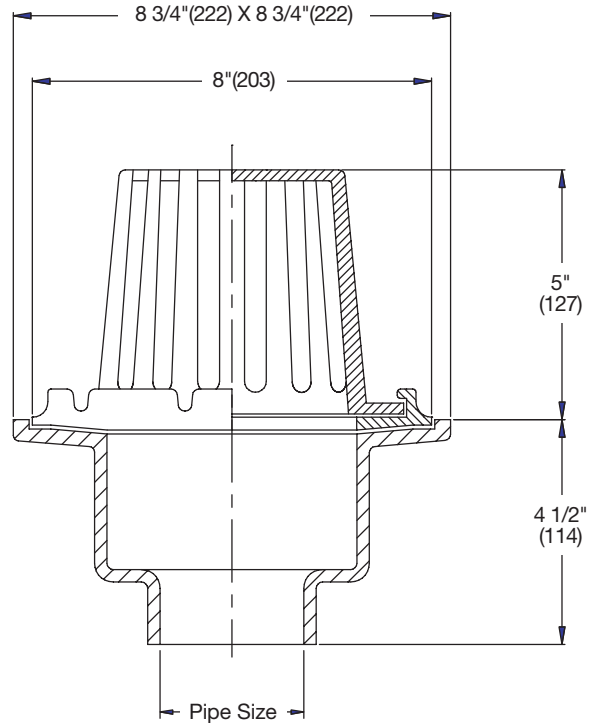
Consult factory for all applications outside of listed parameters.  
Prices do not include applicable taxes.

# Small Area Roof Drains

**RD-280**

**Flanged Cast Iron Roof Drain**

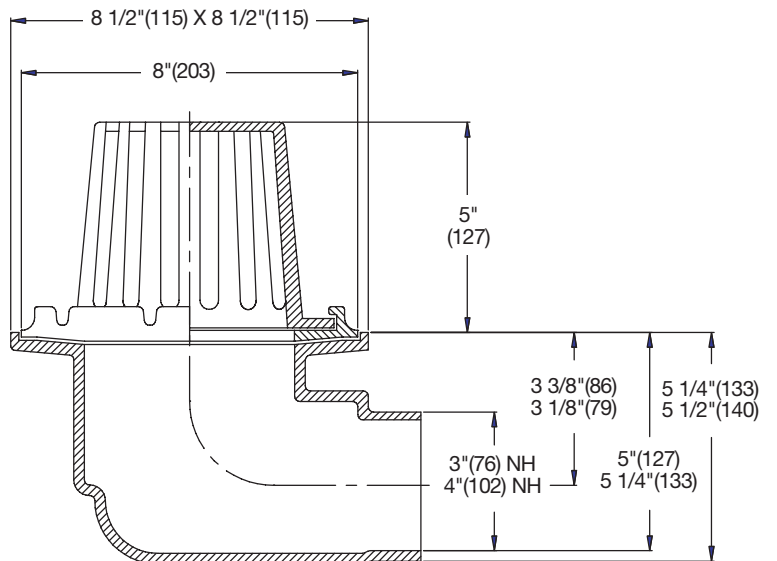
Model Number	Outlet Size	WT., lbs.	List Price
RD-283, 4	3, 4"	16	\$655.50



**RD-280-SO**

**Flanged Cast Iron Roof Drain with Side Outlet**

Model Number	Outlet Size	WT., lbs.	List Price
RD-283, 4-SO	3, 4"	17	\$774.00



## Options for RD-280 /280-SO Series:

Suffix	Description	List Price
-L	Vandal Proof Dome	No Add
-R	2" External Water Dam	\$233.00

Consult factory for all applications outside of listed parameters.

Prices do not include applicable taxes.

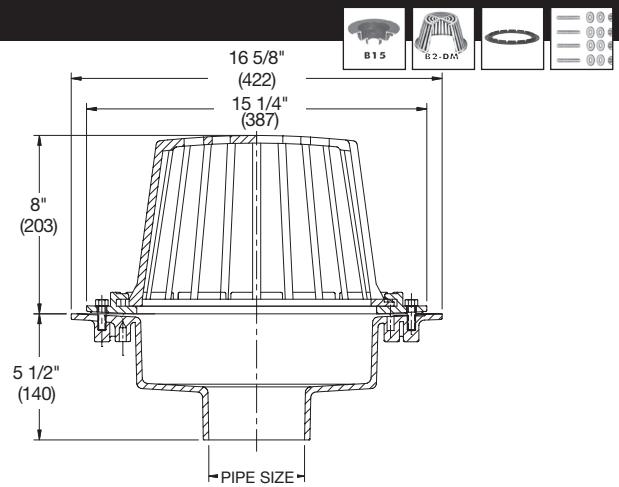


# High Volume Roof Drains

## RD-300

### High Volume Roof Drain

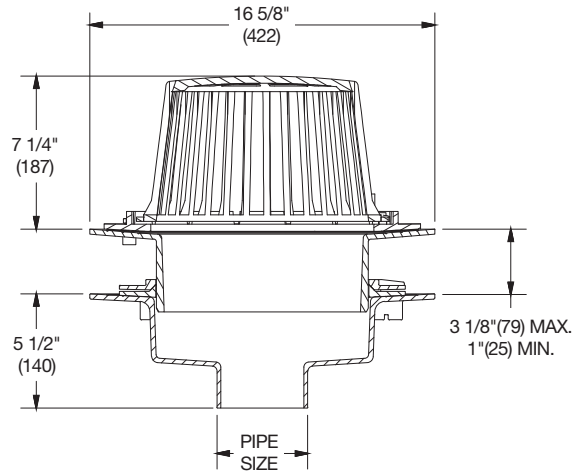
Model Number	Outlet Size	WT., lbs.	List Price
RD-302, 3, 4	2, 3, 4"	30	\$943.50
RD-305, 6	5, 6"	30	1,347.00
RD-308, 10	8, 10"	30	1,751.00



## RD-300-AC

### Adjustable Extension Compression Seal Roof Drain

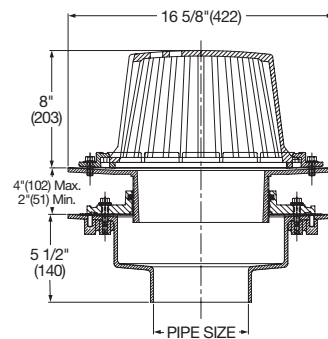
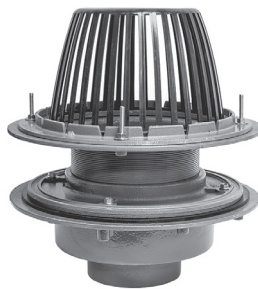
Model Number	Outlet Size	WT., lbs.	List Price
RD-302, 3, 4-AC	2, 3, 4"	63	\$1,822.00
RD-305, 6-AC	5, 6"	63	2,226.00
RD-308, 10-AC	8, 10"	63	2,629.00



## RD-300-AE

### Adjustable Extension Threaded Seal Roof Drain

Model Number	Outlet Size	WT., lbs.	List Price
RD-302, 3, 4-AE	2, 3, 4"	63	\$2,240.00
RD-305, 6-AE	5, 6"	63	2,276.00
RD-308, 10-AE	8, 10"	63	2,629.00



### Options for RD-300 Series:

Suffix	Description	List Price	Suffix	Description	List Price
-P	Push On Available on 3,4, & 6" Outlets Only	No Add	-K13	Galvanized Dome	\$758.50
-X	Inside Caulk	No Add	-K40	Ductile Iron Low Dome (4" High)	281.50
-13	Galvanized Body & Clamp	\$1,276.00	-K80	Aluminum Dome	327.00
-85	4" SS Perforated Extension	834.50	-K81	Rough Bronze Dome	1,103.00
-B	Sump Receiver	359.00	-K83	SS Mesh Covered Aluminum Dome	994.00
-D	Underdeck Clamp	321.50	-L	Vandal Proof Dome	166.00
-F	Deck Flange/Adj. Extension	879.00	-R	2" External Water Dam	308.50
-GSS	Stainless Steel Ballast Guard	834.50	-W	4" Internal Water Dam	564.50
-K	Ductile Iron Dome	281.50			



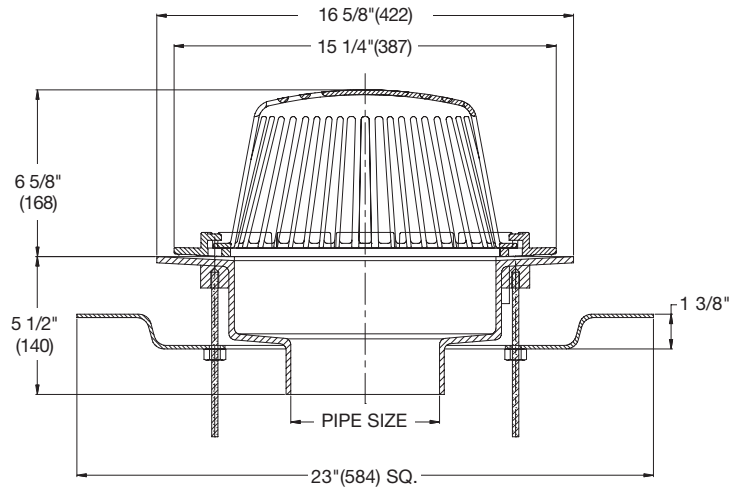
Consult factory for all applications outside of listed parameters.  
Prices do not include applicable taxes.

# High Volume Roof Drains

## RD-300-F

### Roof Drain with Adjustable Extension Flange

Model Number	Outlet Size	WT., lbs.	List Price
RD-302, 3, 4-F	2, 3, 4,"	45	\$1,824.00
RD-305, 6-F	5, 6"	45	2,226.00
RD-308, 10-F	8, 10"	45	2,629.00

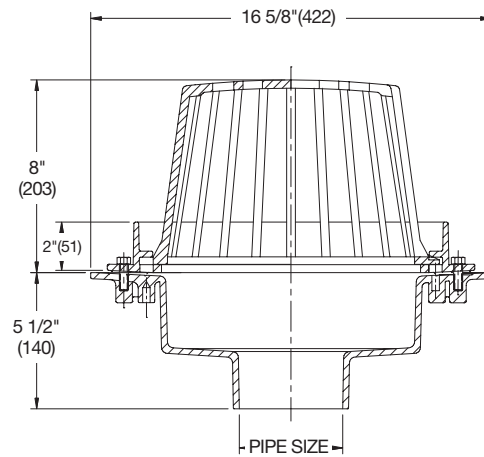


## RD-300-R

### Overflow Roof Drain with 2" External Water Dam



Model Number	Outlet Size	WT., lbs.	List Price
RD-302, 3, 4-R	2, 3, 4"	32	\$1,251.00
RD-305, 6-R	5, 6"	32	1,653.00
RD-308, 10-R	8, 10"	32	2,058.00



## RD-300-W

### Overflow Roof Drain with 2" Internal Standpipe

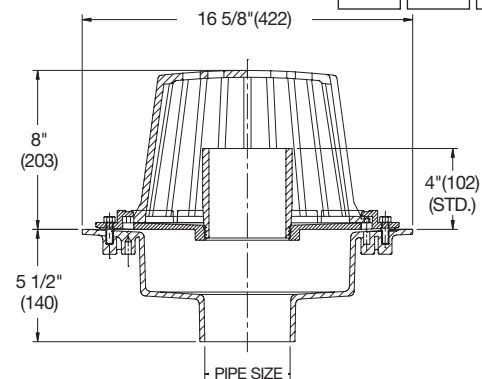


Model Number	Outlet Size	WT., lbs.	List Price
RD-302, 3, 4-W	2, 3, 4"	37	\$1,508.00
RD-305, 6-W	5, 6"	37	1,910.00
RD-308, 10-W	8, 10"	37	2,313.00



Options for RD-300 Series:

(For Options see page 123.)



Consult factory for all applications outside of listed parameters.

Prices do not include applicable taxes.

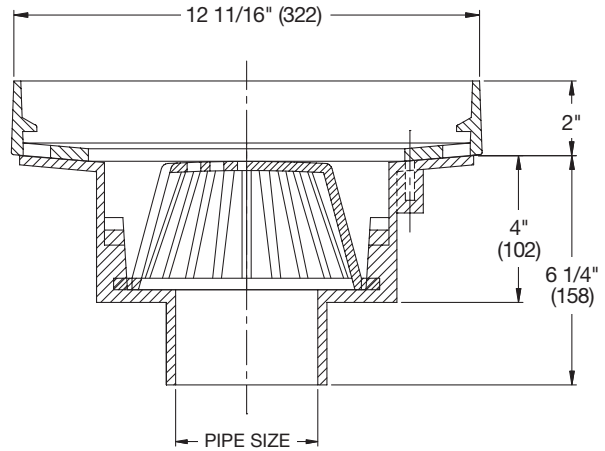
**WATTS**<sup>®</sup>

# Deck Receptor Drain

**RD-400**

**12" Diameter Deck Receptor Drain**

Model Number	Outlet Size	WT.,Lbs.	List Price
RD-402, 3, 4, 5, 6	2, 3, 4, 5, 6"	28	\$959.50



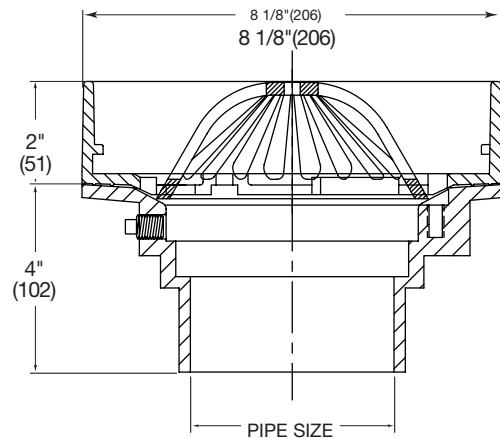
### Options for RD-400 Series:

Suffix	Description	List Price	Suffix	Description	List Price
None	No Hub	No Add	-B	Sump Receiver	\$359.00
-P	Push-On Outlet	No Add	-D	Underdeck Clamp	321.50
-T	Threaded Outlet	\$108.00	-F	Deck Flange/Adj. Extension	879.00
-X	Inside Caulk Outlet	No Add	-L	Vandal Proof Dome	166.00
-13	Galvanized	553.50			

**RD-410**

**8" Diameter Deck Receptor Drain**

Model Number	Outlet Size	WT., Lbs.	List Price
RD-412,3,4	2,3,4"	15	\$790.50



### Options for RD-410 Series:

Suffix	Description	List Price	Suffix	Description	List Price
None	No Hub	No Add	-B	Sump Receiver	\$342.50
P	Push-On Outlet	No Add	-D	Underdeck Clamp	199.00
T	Threaded Outlet	\$108.00	-F	Deck Flange/Adj. Extension	666.50
X	Inside Caulk Outlet	No Add	-L	Vandal Proof	153.00
-13	Galvanized Body & Flashing Clamp	262.00	-SO	Side Outlet	292.00



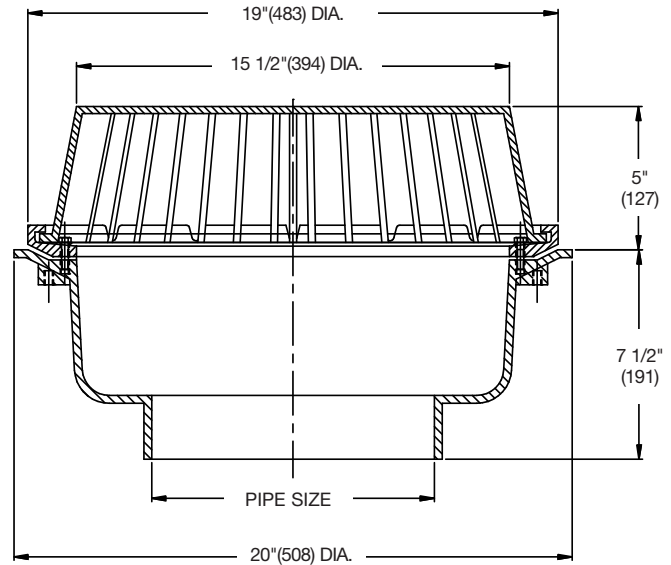
Consult factory for all applications outside of listed parameters.  
Prices do not include applicable taxes.

# Specialty Roof Drains

**RD-500**

**Super Flow Roof Drain**

Model Number	Outlet Size	WT., lbs.	List Price
RD-510, 12	10", 12"	52	\$2,866.00



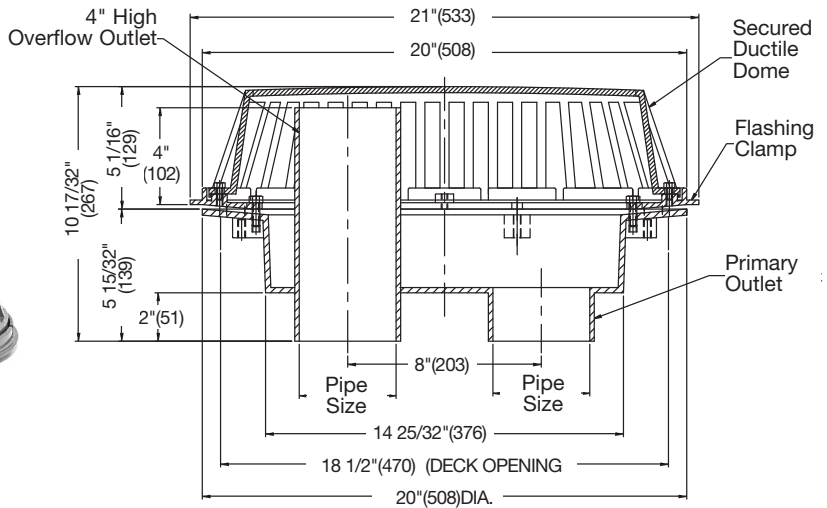
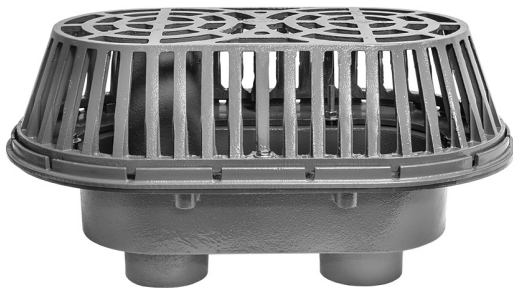
**Options for RD-500 Series:**

Suffix	Description	List Price
-D	Underdeck Clamp	\$321.50
-F	Deck Flange/Adj. Extension	879.00
-L	Vandal Proof Dome	166.00
-R	2" External Water Dam	308.50
-W	2" Internal Water Dam	564.50

**RD-700**

**Dual Outlet Roof Drain/Overflow**

Model Number	Outlet Size	WT., lbs.	List Price
RD-703, 4	3,4"	49	\$2,894.00
RD-705, 6	5,6"	49	3,468.00



**Options for RD-700 Series:**

Suffix	Description	List Price
-CT	Overflow Through Dome	No Add
-D	Underdeck Clamp	\$329.50
-F	Deck Flange/Adj. Extension	590.00
-GSS	4" High SS Gravel Guard	1,179.00
-K80	Aluminum Dome	No Add
-K83	SS Mesh Covered Dome	693.00
-L	Vandal Proof Dome	157.00
-W2	2" High Overflow	No Add



Consult factory for all applications outside of listed parameters.

Prices do not include applicable taxes.



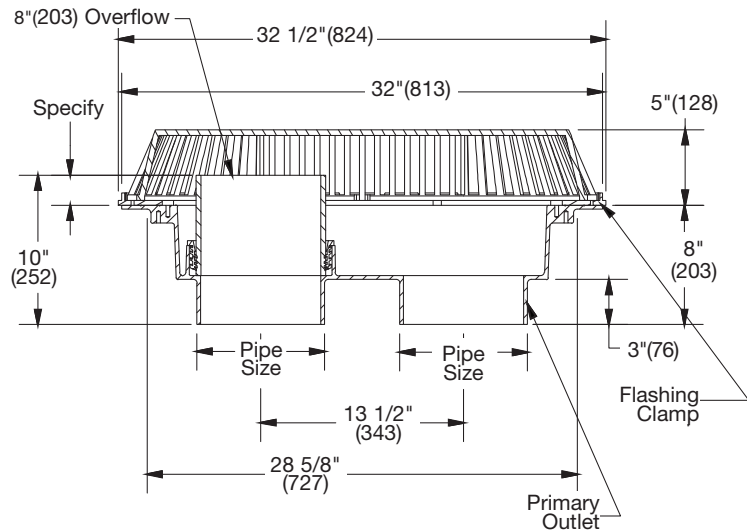


# Roof Drains

## RD-800

## Dual Outlet Large Capacity Roof Drain/Overflow

Model Number	Outlet Size	WT., lbs.	List Price
RD-808	8"	115	\$4,259.00
RD-810	10"	115	4,577.00



### Options for RD-800 Series:

Suffix	Description	List Price
-CT	Overflow Through Dome	No Add
-D	Underdeck Clamp	\$347.50
-F	Deck Flange/Adj. Extension	590.00
-R	2" External Water Dam	308.50
-L	Vandal Proof Dome	157.00
-W2	2" High Overflow	No Add

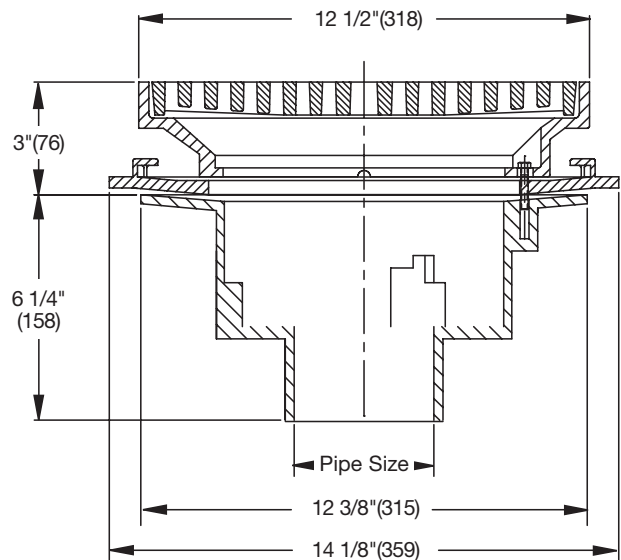


RD-800-CT

## RD-100-CP

## Roof Drain with 12"x12" Promenade Top

Model Number	Outlet Size	WT., lbs.	Grate	List Price
RD-102, 3, 4-CP,	2, 3, 4"	80	ductile iron	\$1,632.00
RD-102, 3, 4-CP-1	2, 3, 4"	80	nickel bronze	2,918.00
RD-105, 6-CP	5, 6"	80	ductile iron	1,762.00
RD-105, 6-CP-1	5, 6"	80	nickel bronze	2,953.00



### Options for RD-100-CP/RD-300-CP15 Series:

Suffix	Description	List Price	Suffix	Description	List Price
None	No Hub	No Add	-85	4" SS Perforated Extension	\$834.50
P	Push-On Available on 3, 4 & 6" Only	No Add	-B	Sump Receiver	357.50
T	Threaded Outlet (RD-100-CP only)	\$108.00	-D	Underdeck Clamp	320.50
X	Inside Caulk Outlet (RD-100-CP only)	No Add	-E	1" Stackable Clamp	108.00
-6	Vandal Proof	196.50	-F	Deck Flange/Adj. Extension	879.00
-9	Hinged Grate	303.00	-SO	Side Outlet (RD-100-CP 2, 3, 4" only)	449.00
-13	Galvanized	1,276.00			

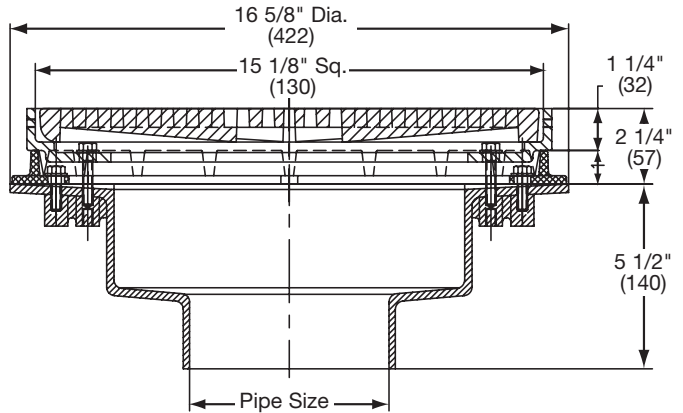


Consult factory for all applications outside of listed parameters.  
Prices do not include applicable taxes.

# Vent Cap/Expansion Coupling

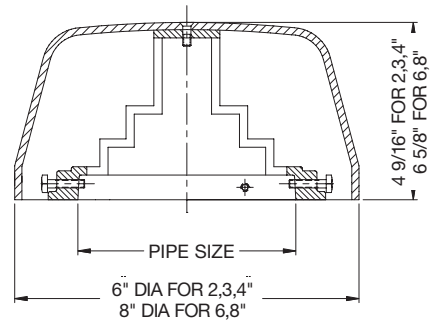
## RD-300-CP15 Roof Drain with 15"x15" Promenade Top

Model Number	Outlet Size	WT., lbs.	Grate	List Price
RD-302, 3, 4-CP15,	2, 3, 4"	110	ductile iron	\$1,600.00
RD-302, 3, 4-CP15-1	2, 3, 4"	110	nickel bronze	4,222.00
RD-305, 6,8-CP15	5, 6, 8"	110	ductile iron	1,986.00
RD-305, 6,8-CP15-1	5, 6, 8"	110	nickel bronze	4,333.00



## RD-680-VC Vent Cap

Model Number	Outlet Size	WT., lbs.	List Price
RD-682, 3, 4-VC	2, 3, 4"	7	\$629.00
RD-686-VC	6"	15	895.00
RD-688-VC	8"	15	1,026.00



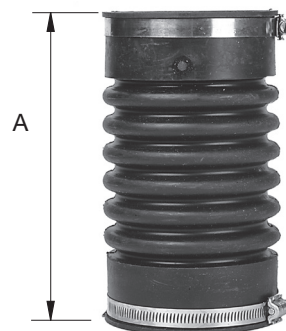
### Options for RD-680-VC Series:

Suffix	Description	List Price
-13	Galvanized	\$224.50

## RD-900 Neoprene Expansion Coupling

Model Number	Outlet Size	WT., lbs.	List Price
RD-902	2"	1	\$399.00
RD-903	3"	1	490.00
RD-904	4"	2	567.00

Chart A	
Pipe Size	Height
2"	7-1/8"
3"	8-1/8"
4"	8-5/8"



Consult factory for all applications outside of listed parameters.  
Prices do not include applicable taxes.



# Downspout Nozzles

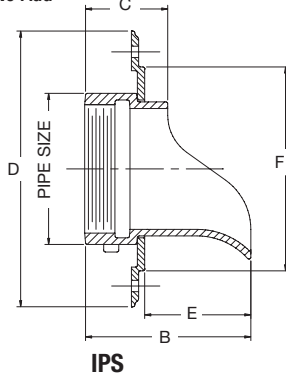
**RD-940**

**Downspout Nozzle**

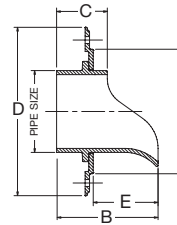
Model Number	Outlet Size	WT., lbs.	List Price
RD-942, 3, 4	2, 3, 4"	12	\$1,445.00
RD-945, 6	5, 6"	18	2,591.00
RD-948	8"	22	3,539.00
RD-9410-NH	10"	25	4,617.00
RD-9412-NH	12"	29	5,715.00

### Options for RD-940 Series:

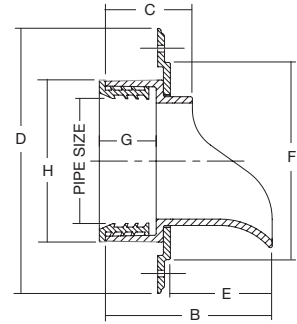
Suffix	Description	List Price
-83	SS Bird Screen	\$733.00
-NH	No Hub	No Add
-P	Push-On Connection (3,4,6,8" Only)	No Add



IPS



No-Hub



Push-On

IPS Threaded Connection						
Model	Pipe Size	B	C	D	E	F
RD-942	2"(51)	5-1/4"(133)	2-1/4"(57)	6-3/4"	3-1/2"(89)	4-3/4"(121)
RD-943	3"(76)	5-1/4"(133)	2-1/2"(63)	8-1/4"(210)	3-1/2"(89)	6-3/8"(162)
RD-944	4"(102)	5-1/4"(133)	2-3/4"(70)	9-1/8"(232)	3-1/2"(89)	7"(178)
RD-946	6"(152)	5-1/4"(133)	2-3/4"(70)	11-3/8"(289)	3-1/2"(89)	9"(229)
RD-948	8"(200)	6"(152)	3"(76)	13-3/8"(340)	4"(102)	10-3/4"(273)

No Hub Connection						
Model	Pipe Size	B	C	D	E	F
RD-942-NH	2"(51)	5-1/4"(133)	2-1/4"(57)	6-3/4"(171)	3-1/2"(89)	4-3/4"(121)
RD-943-NH	3"(76)	5-1/4"(133)	2-1/2"(63)	8-1/4"(210)	3-1/2"(89)	6-3/8"(162)
RD-944-NH	4"(102)	5-1/4"(133)	2-3/4"(70)	9-1/8"(232)	3-1/2"(89)	7"(178)
RD-945-NH	5"(130)	5-1/4"(133)	3"(76)	9-1/4"(235)	3-3/8"(86)	7-1/4"(184)
RD-946-NH	6"(152)	5-1/4"(133)	2-3/4"(70)	11-3/8"(289)	3-1/2"(89)	9"(229)
RD-948-NH	8"(200)	6"(152)	3"(76)	13-3/8"(340)	4"(102)	10-3/4"(273)
RD-9410-NH	10"(250)	5-3/4"(146)	3"(76)	15-1/4"(387)	3-3/4"(95)	13-1/16"(332)
RD-9412-NH	12"(305)	6"(152)	3-1/4"(83)	17-1/4"(438)	3-3/4"(95)	15-1/16"(383)

Push-On Connection								
Model	Pipe Size	B	C	D	E	F	G	H
RD-943P	3"(76)	5-3/4"(146)	3"(76)	8-1/4"(210)	3-1/2"(89)	6"(152)	1-3/4"(44)	4-3/4"(121)
RD-944P	4"(102)	5-3/4"(146)	3"(676)	9-1/8"(232)	3-1/2"(89)	6-3/4"(171)	1-3/4"(44)	5-1/2"(140)
RD-946P	6"(152)	6"(152)	3-3/4"(95)	11-3/8"(289)	3-1/2"(89)	8-3/4"(222)	2"(51)	7-3/4"(197)
RD-948P	8"(200)	7"(178)	4"(102)	13-3/8"(340)	4"(102)	10-3/4"(273)	2-1/2"(63)	10"(254)



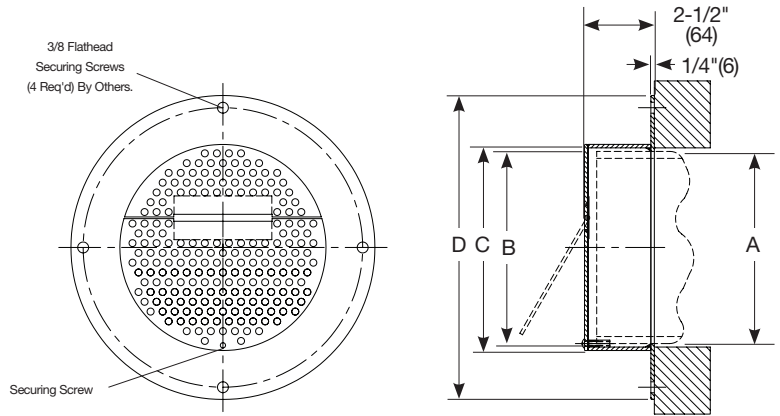
Consult factory for all applications outside of listed parameters.  
Prices do not include applicable taxes.

# Downspout Nozzles

**RD-950**

**Stainless Steel Downspout Cover**

Model Number	Outlet Size	WT., lbs.	List Price
RD-953,4	3, 4"	8	\$3,878.00
RD-956	6"	9	4,097.00
RD-958	8"	10	4,291.00
RD-9510	10"	12	4,540.00
RD-9512	12"	14	4,540.00



### Options for RD-950 Series:

Suffix	Description	List Price
-6	Vandal Proof	204.50

**RD-970/980**

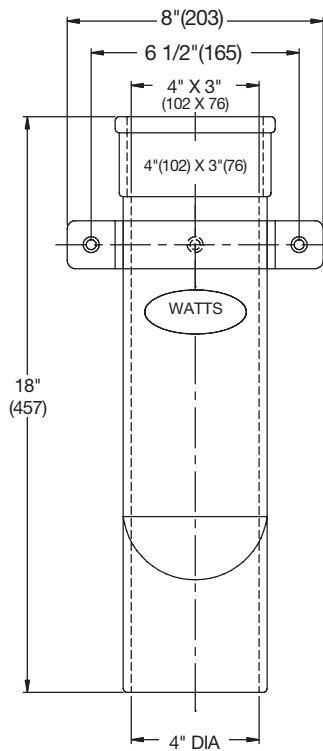
**Downspout Boot**

Model Number	Outlet Size	WT., lbs.	List Price
RD-970	4" x 3"	20	\$1,099.00
RD-980	5" x 4"	30	1,753.00

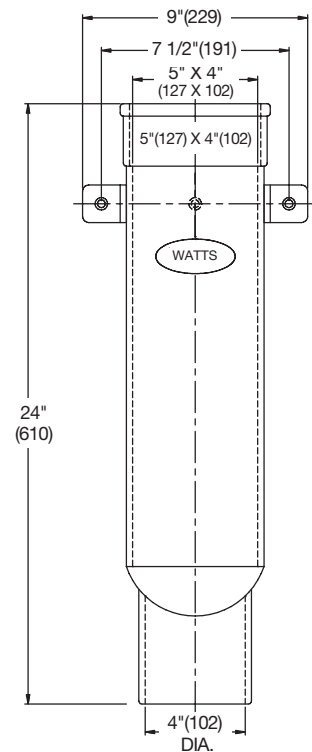


**RD-970**

**RD-980**



**RD-970**



**RD-980**

Consult factory for all applications outside of listed parameters.  
Prices do not include applicable taxes.



# Interceptors

## Table Of Contents

- Pictorial Index
- Recommendations
- Grease Interceptors
  - Design & Operation
  - Materials
  - Pipe Connections
  - Standard Configurations
  - Sizing
  - Commonly Specified Options
  - Installation Considerations
  - Maintenance & Cleaning
  - Typical Installations
- Oil Interceptors
  - Design & Operation
  - Materials
  - Pipe Connections
  - Sizing
  - Commonly Specified Options
  - Installation Considerations
  - Maintenance & Cleaning
  - Typical Installations
- Sediment Interceptors
  - Design & Operation
  - Materials
  - Pipe Connections
  - Sizing
  - Commonly Specified Options
  - Installation Considerations
  - Maintenance & Cleaning
  - Typical Installations

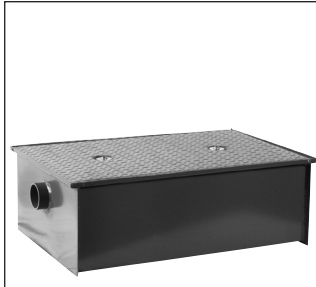


# Interceptors

## Pictorial Index



**WD SERIES**  
PDI Certified Grease Interceptor



**WD-L SERIES**  
PDI Certified Low Rough-in Grease Interceptor



**GI-K SERIES**  
Large Capacity Grease Interceptor



**WD-A SERIES**  
Semi-Automatic Draw-Off Grease Interceptor



**WD-LA SERIES**  
Low Rough-in Semi-Automatic Grease Interceptor



**WD-H SERIES**  
Grease Interceptor with Access Housing



**WD-AH SERIES**  
Semi-Automatic Grease Interceptor w/Housing



**OI SERIES**  
Oil Interceptor



**OI-K SERIES**  
Large Capacity Oil Interceptor



**OI-ST SERIES**  
Oil Interceptor with Integral Storage Tank



**SI-742**  
Hair, Plaster & Sediment Interceptor



**SI-740-L**  
Sediment & Hair Interceptor



**SI-750**  
Cast Iron Hair Interceptor



**SI-750-TO**  
Chrome Plated Hair Interceptor



**SI-762**  
Bottom Access Hair, Plaster & Sediment Interceptor



**SI-770**  
Solids Interceptor

Consult factory for all applications outside of listed parameters.  
Prices do not include applicable taxes.

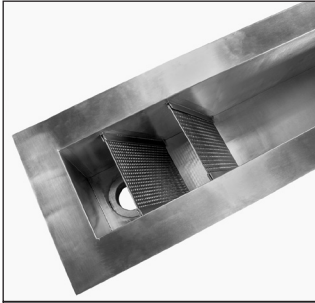


# Interceptors

## Pictorial Index



**LI-800-SERIES**  
Lint Interceptor



**LI-LT Series**  
Stainless Steel  
Lint Trough



**SA-SERIES**  
Heavy Duty Sand &  
Sediment Interceptor



**ST-SERIES**  
Sand Trap

# Interceptors

## Recommendations

Application	Product
Art rooms, dental labs, metal recovery	SI-742, SI-742-I, SI-762
Cooking, food prep	WD Series, GI-K Series,
Commercial laundry, washing machines	LI-800 Series
Dish cleaning sinks, dishwashers	WD Series, GI-K Series
Elevator pits, oil spill areas	OI Series, OI-K Series
Hair wash sinks	SI-750, SI-750-TO
Sand & sediment run-off	SA Series, ST Series
Vehicle maintenance areas	OI Series, OI-K Series

## Grease Interceptors

### Design & Operation

Watts hydro-mechanical grease interceptors are designed to remove fats, oils, and grease from waste water. Grease interceptors prevent greasy substances from entering plumbing systems, septic fields, and waste water treatment facilities, where they are difficult to process, and create environmental problems. Commonly specified in commercial kitchen and food processing areas, properly specified and maintained interceptors keep drainage systems free of problematic grease accumulations.

Grease interceptors will separate all lighter-than-water substances, collecting them inside the interceptor, above the static water line. Design criteria is regulated by plumbing code, and generally follows or references criteria set forth by The Plumbing & Drainage Institute (PDI), which tests and certifies standard capacity interceptors. The accepted industry and PDI Standard (PDI-G101) is for interceptors to maintain 90% separation efficiency, up to their rated grease retention capacity (in. lbs.).

The interception process is accomplished by slowing incoming effluent with a flow restrictor (supplied with the interceptor), and directing it through baffling. The slowing and baffling processes enable greasy substances to accumulate on top of the static water line, and treated water to exit into the drainage system, through a trap leg on the outlet side of the interceptor.

### Materials

#### Acid Resistant Epoxy Coated Steel (standard)

Interceptor bodies are 11 ga. cold rolled steel, with an oven cured, acid resistant baked grey epoxy coating, inside and out. Standard cover is epoxy coated 1/4" skid-proof checker plate steel, gasketed, and secured with hex head center bolt(s).

#### Stainless Steel (-SS)

11 gauge, in accordance with ASTM-351-Grade CF8 (Type 304) standard specification. Highly durable and resistant to corrosion.



# Interceptors

## Grease Interceptors

### Pipe Connections

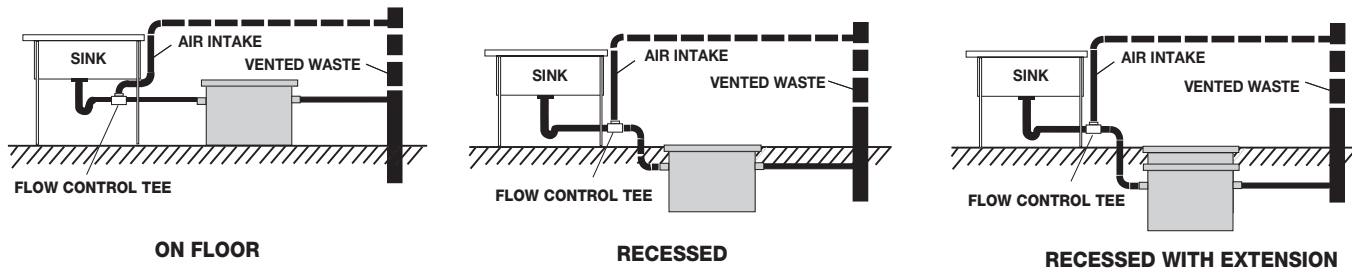
#### No hub (standard)

Butt connection using a no hub or neoprene coupling. Suitable for cast iron, plastic, and most other piping applications.

#### Threaded (-THD)

Female threaded outlet for connection to IPS threaded pipe.

### Standard Configurations



### Sizing

Grease interceptors are sized according to the rate of incoming flow, in gallons per minute (GPM). Associated with the incoming flow rate is an interceptor's capacity. The rated capacity, in lbs., is listed at twice the flow rate, in GPM. For example, a 10 GPM interceptor has a rated capacity of 20 lbs.

#### General Procedure:

##### To Determine the Flow Rate of Each Sink:

1. Calculate the capacity of the sink in cubic inches:  
 $\text{____ (LENGTH) x ____ (WIDTH) x ____ (DEPTH) = ____ CU. IN.}$
2. Convert the capacity from cubic inches to gallons per minute (GPM):  $\text{____ CU.IN} \div 231 = \text{____ GPM.}$
3. Adjust for displacement:  $\text{____ GPM x 0.75 = ____ GPM.}$
4. **Result is the flow rate required to drain the sink in one minute.\***

*\*Note: If drain down time is not critical, an interceptor with a lesser flow rate, up to half the calculated flow rate may be specified.*

#### Example:

Three compartment pot sink, each compartment 12" x 12" x 15"

1.  $12" \times 12" \times 15" = 2160 \text{ cu. in.} \times 3 \text{ comp.} = 6480 \text{ cu. in.}$
2.  $6480 \text{ cu. in.} \div 231 = 28 \text{ GPM.}$
3.  $28 \text{ GPM} \times 0.75 = 21 \text{ GPM.}$

A 20 GPM interceptor would permit the sink to drain in slightly more than one minute.

\*Discharge from spray hoods is determined by the flow rate of the hood.

#### Sizing For Multiple Fixtures:

1. Determine the flow rate for each fixture to be serviced by the interceptor.
2. Add together 100% of the largest flow rate, 50% of the second largest, and 25% of all others.
3. **Result is the recommended flow rate of the interceptor.**

#### Example:

1. Fixture A: 35 GPM Flow Rate  
Fixture B: 26 GPM Flow Rate  
Fixture C: 18 GPM Flow Rate  
Fixture D: 12 GPM Flow Rate
2.  $35 \text{ GPM (A) x 100\%} = 35 \text{ GPM}$   
 $26 \text{ GPM (B) x 50\%} = 13 \text{ GPM}$   
 $30 \text{ GPM (C + D) x 25\%} = 7.5 \text{ GPM}$

**Total Flow Rate = 55.5 GPM**

A 50 GPM interceptor is recommended for this installation.



Consult factory for all applications outside of listed parameters.  
Prices do not include applicable taxes.

# Interceptors

## Grease Interceptors

### Commonly Specified Options

#### **-B Sediment Bucket**

Epoxy coated steel, located inside the interceptor on the inlet side. Collects large food or other particles.

*Note: To the extent possible, solids should be collected prior to the interceptor, or at the fixture. Large particles approaching the interceptor can clog the flow restrictor, slowing drainage, and causing back-up difficulties. See Watts SI-770 Solids Interceptor.*

#### **-E Extension**

Bolt-on extension, increases the invert dimension to accommodate below grade piping. Extensions can be installed after an interceptor is piped in.

#### **-FC Flange & Clamp Device**

Specified for above grade installations to secure a waterproofing membrane.

#### **-HD Heavy Duty Traffic Cover**

Rated 10,000 lbs. maximum safe live load.

*Note: A minimum 3" extension is required with the -HD option.*

#### **-O Inlet and Outlet other than Standard Size**

Flow is regulated by the flow restrictor, so mis-matched piping/interceptor connection sizes generally do not affect performance. Piping that does not match the interceptor connection size is typically accommodated with transition couplings or bushings.

#### **-US Buy American Compliant**

Product will be supplied with minimum 51% domestic content, in compliance with FAR 52.225-9 Buy American Act.

### Installation Considerations

- a) Grease interceptors should be located as near as possible to the fixture(s) being served. Long piping runs between a fixture and the interceptor will accumulate grease, causing drainage and clogging problems.
- b) Grease interceptors may be floor mounted, under or beside the sink, or recessed in the floor to allow passage of foot traffic, or connect to below grade piping.
- c) Grease interceptors may be installed outside, making sure all piping is below the frost line (see Options - Extension).
- d) WD Series PDI Certified interceptors are supplied with an external flow restrictor, which must be installed between the last fixture serviced and the interceptor inlet. Other models may be supplied with internal flow control plates, located just inside the interceptor inlet. Check local plumbing codes for specific flow control requirements.
- e) Venting is recommended on both the inlet and outlet side of the interceptor, or as governed by local code. Units supplied with external flow controls are vented from the connection on the top of the flow control tee. Interceptor lids are gasketed, but venting is necessary to prevent odors from escaping through the lid.
- f) Grease interceptors do not replace fixture "traps". Fixtures must be trapped separately to prevent odors from the interceptor returning through the fixture drain.

### Maintenance & Cleaning

The capacity of the interceptor (lbs.), and the amount of incoming grease determine cleaning frequency. The amount of accumulated grease must be kept below the rated capacity of the interceptor to maintain proper separation efficiency.

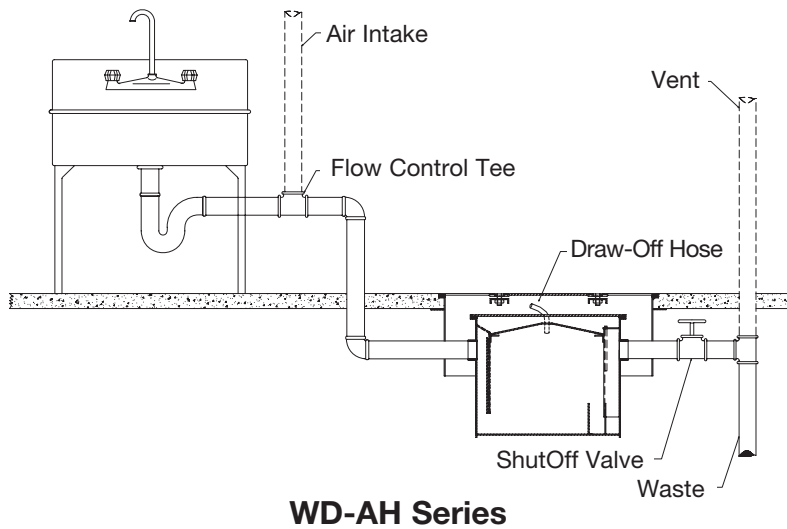
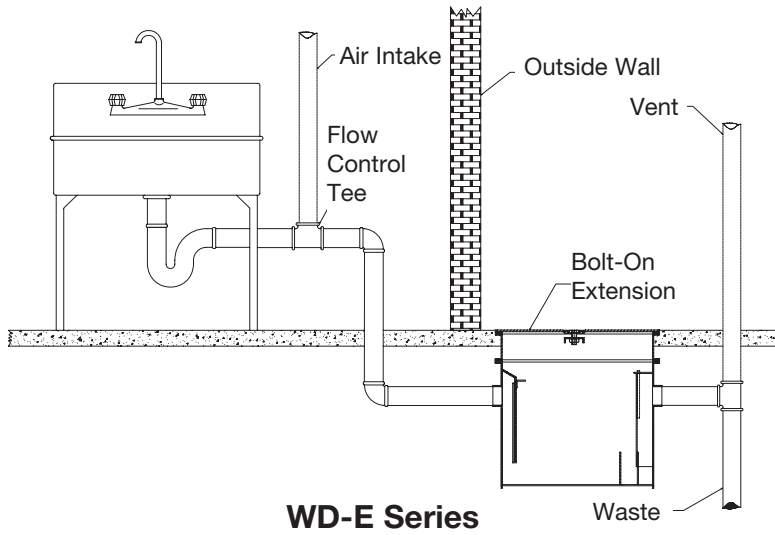
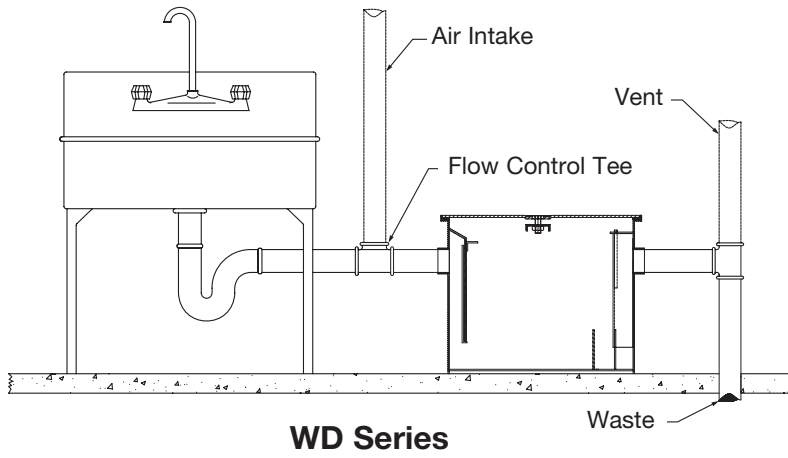
Manual operation grease interceptors are cleaned by removing the cover (secured with hex bolts), and scooping out grease accumulated at the top of the interceptor. Grease can be removed manually, or pumped by outside service. Check local ordinances for proper grease disposal.

Semi-automatic interceptors are cleaned as follows:

- 1) With the outlet valve open, run a full stream of hot water (140 degrees min.) through the interceptor for at least 2 minutes.
- 2) Allow unit to cool for approx. 3 minutes.
- 3) Close the valve on the outlet side of the interceptor.
- 4) Remove cap from top of interceptor and attach draw-off hose. Position hose to drain into waste receptacle.
- 5) Run hot water through the interceptor at a rate of 1.5-2.5 GPM.
- 6) The interceptor will fill, then force liquefied grease out through the top draw-off hose.
- 7) When clear water begins to discharge, the interceptor is clean.
- 8) Disconnect draw-off hose, and replace pipe cap.
- 9) Reopen valve on outlet. Interceptor is now ready for normal use.

# Interceptors

## Typical Grease Interceptor Installations



# Interceptors

## Oil Interceptors

### Design & Operation

Watts oil interceptors are designed to separate oily waste from interior drainage systems, or exterior run-off areas. Commonly specified in service stations, vehicle maintenance facilities, and parking areas, oil interceptors prevent environmentally damaging and potentially dangerous oily substances from entering septic fields, run-off areas, and waste water treatment facilities.

Similar to grease interceptors in operation, oil interceptors accumulate lighter-than-water oily waste inside the interceptor, above the static water line. Typically oil is drained automatically from the interceptor through a draw-off valve, and gravity fed to an approved underground oil storage tank (by others), for storage and eventual removal.

### Materials

#### Acid Resistant Epoxy Coated Steel (standard)

Interceptor bodies are 11 ga. cold rolled steel, with an oven cured, acid resistant baked grey epoxy coating, inside and out. Standard cover is epoxy coated 1/4" skid-proof checker plate steel, gasketed, and secured with hex head center bolt(s).

#### Stainless Steel (-SS)

11 gauge, in accordance with ASTM-351-Grade CF8 (Type 304) standard specification. Highly durable and resistant to corrosion.

### Pipe Connections

#### No Hub (standard)

Butt connection using a no hub or neoprene coupling. Suitable for cast iron, plastic, and most other piping applications.

#### Threaded (-THD)

Female threaded outlet for connection to IPS threaded pipe.

### Sizing

Oil interceptors are sized according to the incoming rate of flow, in gallons per minute (GPM).

For most indoor applications, the flow rate can be calculated by adding maximum discharge rates of all potential water sources. For example, a standard 3/4" hose connection will discharge approx. 10 GPM. A service garage with three hose connections would have a maximum potential flow rate of  $10 \text{ GPM} \times 3 = 30 \text{ GPM}$ .

For outdoor applications involving rainwater run-off, flow rate should be derived from local rainfall tables, and the slope characteristics of the area to be drained.

### Commonly Specified Options

#### -B Sediment Bucket

Epoxy coated steel, located inside the interceptor on the inlet side. Collects large food or other particles.

*Note: To the extent possible, solids should be collected prior to the interceptor, or at the fixture. Large particles approaching the interceptor can clog the flow restrictor, slowing drainage, and causing back-up difficulties. See Watts SI-770 Solids Interceptor.*

#### -E Extension

Bolt-on extension, increases the invert dimension to accommodate below grade piping. Extensions can be installed after an interceptor is piped in.

#### -FC Flange & Clamp Device

Specified for above grade installations to secure a waterproofing membrane.

#### -HD Heavy Duty Traffic Cover

Rated 10,000 lbs. maximum safe live load.

*Note: A minimum 3" extension is required with -HD option.*

#### -O Inlet and Outlet other than Standard Size

Flow is regulated by the flow restrictor, so mismatched piping/interceptor connection sizes generally do not affect performance. Piping that does not match the interceptor connection size is typically accommodated with transition couplings or bushings.

#### -US Buy American Compliant

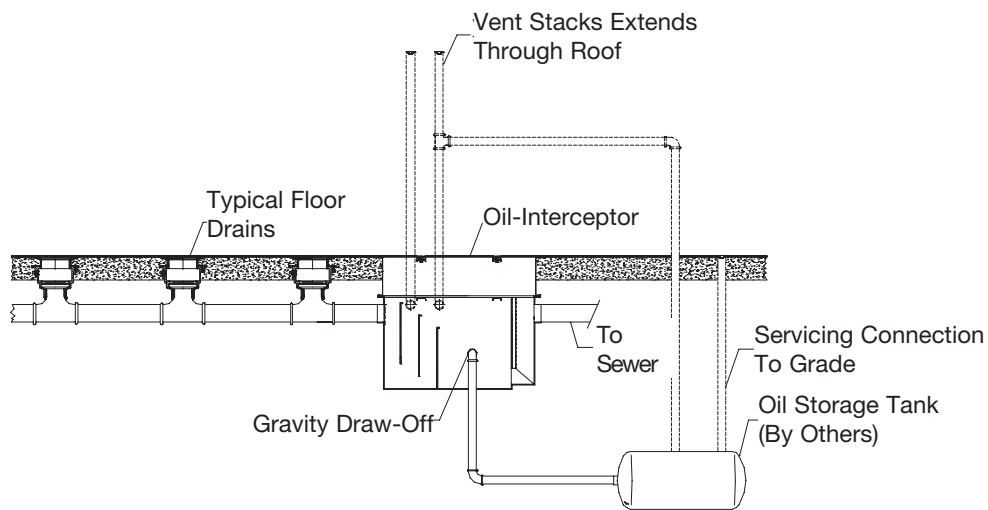
Product will be supplied with minimum 51% domestic content, in compliance with FAR 52.225-9 Buy American Act.

# Interceptors

## Oil Interceptors

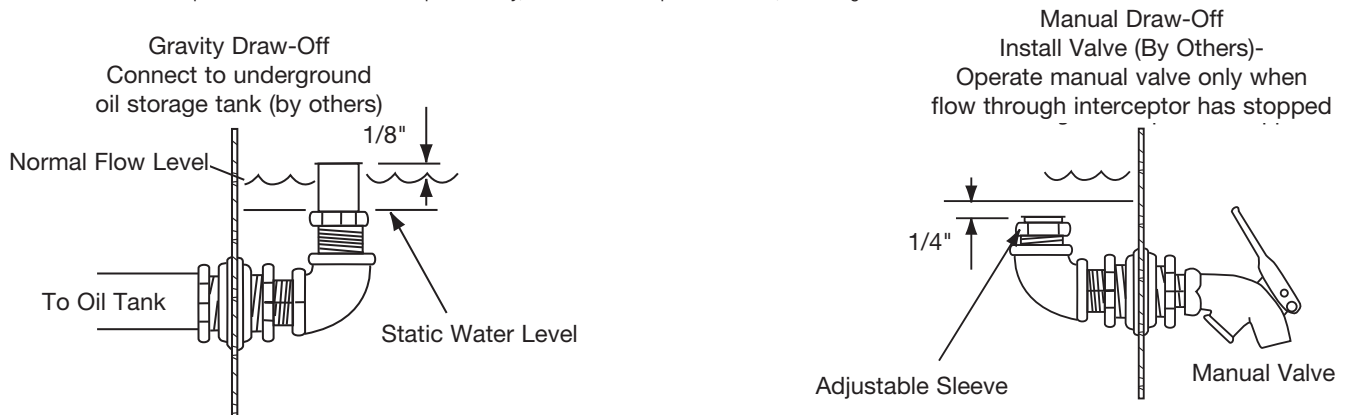
### Installation Considerations

- Oil interceptors may be floor mounted, but are typically recessed to connect to below grade piping from floor drains or trench drains.
- Check local ordinances for proper storage of accumulated oil. Typically provisions must be made to connect the oil interceptor to an approved underground oil storage tank (by others). Where conditions and codes permit, the oil interceptor may be housed inside a pit, and drained with a manual valve (by others) attached to the draw-off connection.
- Oil interceptors may be installed outside, making sure all piping is below the frost line (see Options - Extension).
- Vent lines must be attached to the dual no hub vent connections on the side of the interceptor. The lines should be terminated outside the building, 12" apart in elevation, to allow circulation and venting of heavier-than-air fumes. Inlet piping should also be vented through the roof, or as governed by local code.



### Maintenance & Cleaning

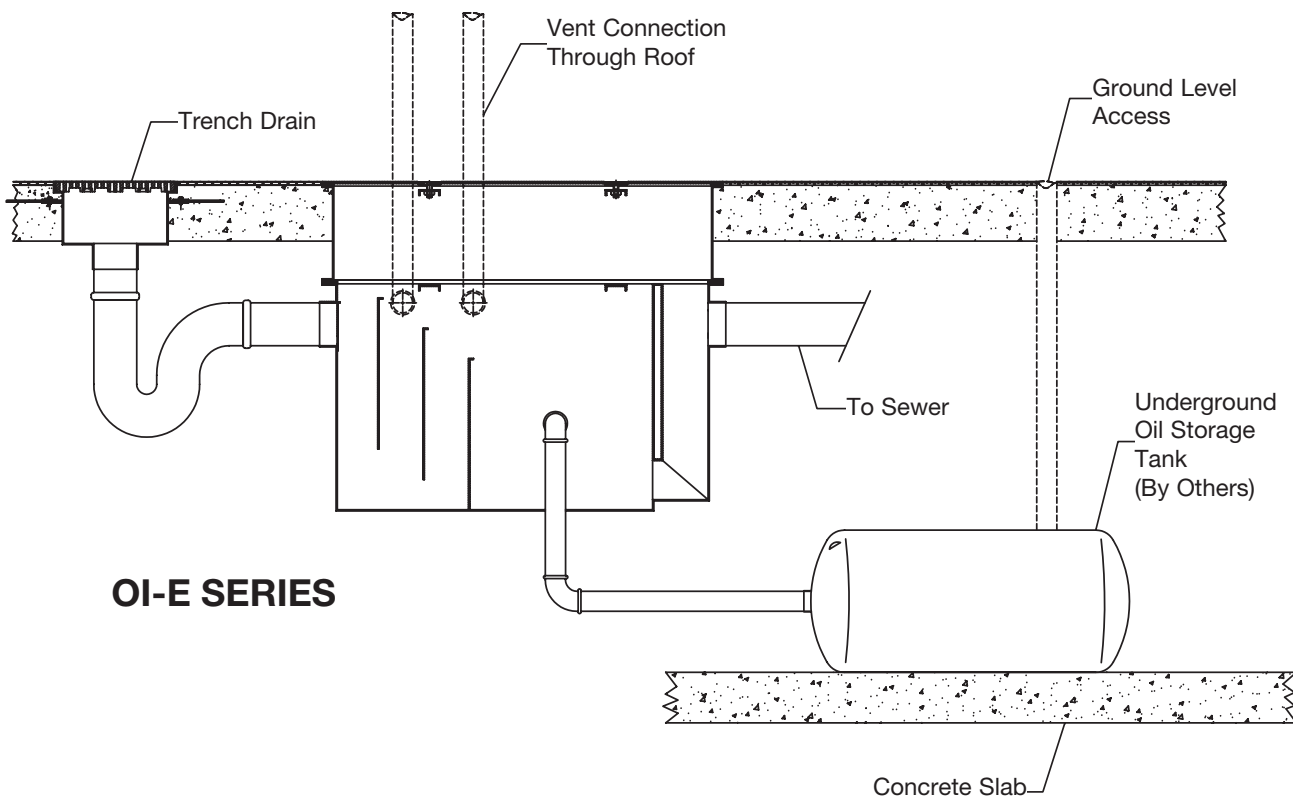
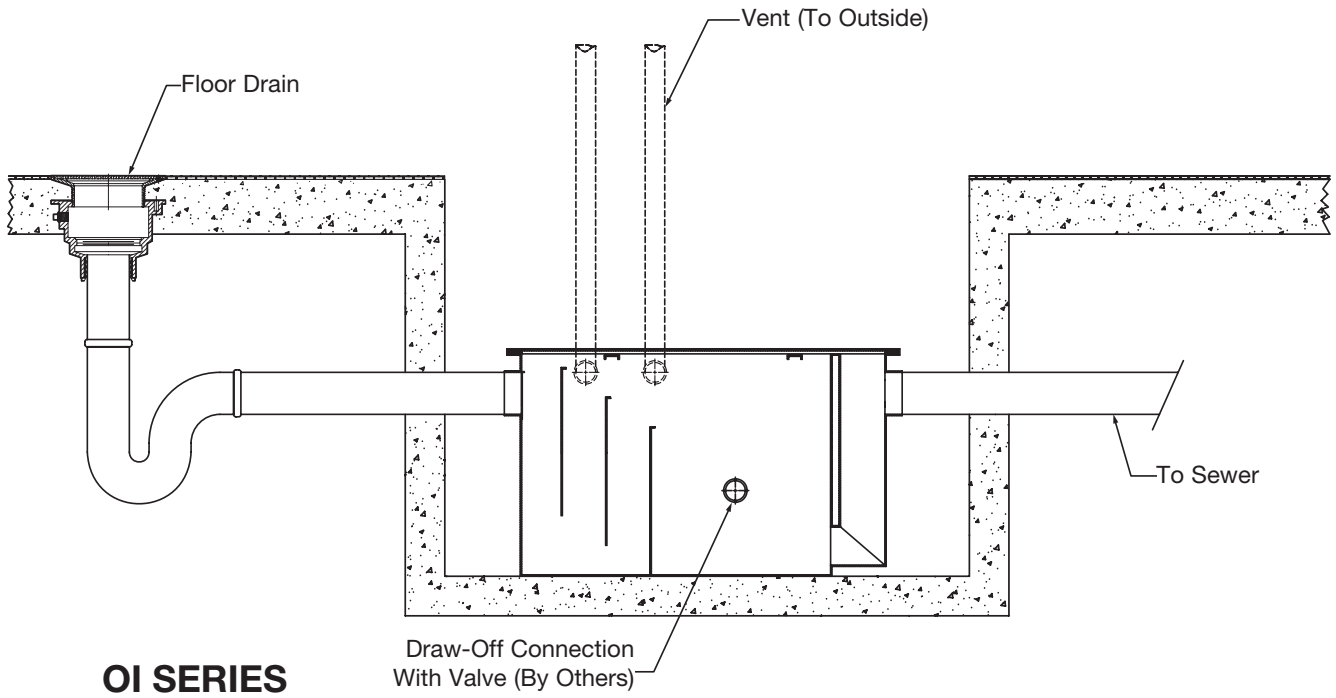
Oil interceptors are not designed to store oil for an extended period of time. Oil should be drawn off or drained into an approved oil storage tank, which would be serviced as required. If a manual valve is used, accumulated oil should be drained on a regular basis, depending upon the amount of incoming effluent. The oil interceptor lid should be removed periodically, and a visual inspection made, for sludge or other accumulations.



**\*\*Note:** Watts Oil Interceptors supplied standard with draw-off connection on right side and vent connections on left (when facing inlet).

# Interceptors

## Typical Oil Interceptor Installations



Consult factory for all pricing and applications outside of listed parameters.

Prices do not include applicable taxes.



# Interceptors

## Sediment Interceptors

### Design & Operation

Watts sediment interceptors are designed to separate heavier-than water sediment, or floating debris, such as hair or lint, from plumbing waste systems. Sediment interceptors trap debris with a combination of screening, and gravity separation for heavier solids and sediments. Debris accumulates inside the interceptor, and is periodically removed.

### Materials

#### Acid Resistant Epoxy Coated Steel (standard)

Interceptor bodies are 11 ga. cold rolled steel, with an oven cured, acid resistant baked grey epoxy coating, inside and out. Standard cover is epoxy coated 1/4" skid-proof checker plate steel, gasketed, and secured with hex head center bolt(s).

#### Stainless Steel (-SS)

11 gauge, in accordance with ASTM-351-Grade CF8 (Type 304) standard specification. Highly durable and resistant to corrosion.

### Pipe Connections

#### No Hub (standard)

Butt connection using a no hub or neoprene coupling. Suitable for cast iron, plastic, and most other piping applications.

#### Threaded (-THD)

Female threaded outlet for connection to IPS threaded pipe.

### Sizing

Sediment interceptors are sized either by rate of flow, or anticipated amount of debris. See specification pages for specific flow rates and sizing.

### Commonly Specified Options

#### -E Extension

Bolt-on extension, increases the invert dimension to accommodate below grade piping. Extensions can be installed after an interceptor is piped in.

#### -FC Flange & Clamp Device

Specified for above grade installations to secure a waterproofing membrane.

#### -HD Heavy Duty Traffic Cover

Rated 10,000 lbs. maximum safe live load.

*Note: A minimum 3" extension is required with -HD option.*

#### -O Inlet and Outlet other than Standard Size

Flow is regulated by the flow restrictor, so mismatched piping/interceptor connection sizes generally do not affect performance. Piping that does not match the interceptor connection size is typically accommodated with transition couplings or bushings.

#### -US Buy American Compliant

Product will be supplied with minimum 51% domestic content, in compliance with FAR 52.225-9 Buy American Act.

#### -X Cover for Recessed Installation

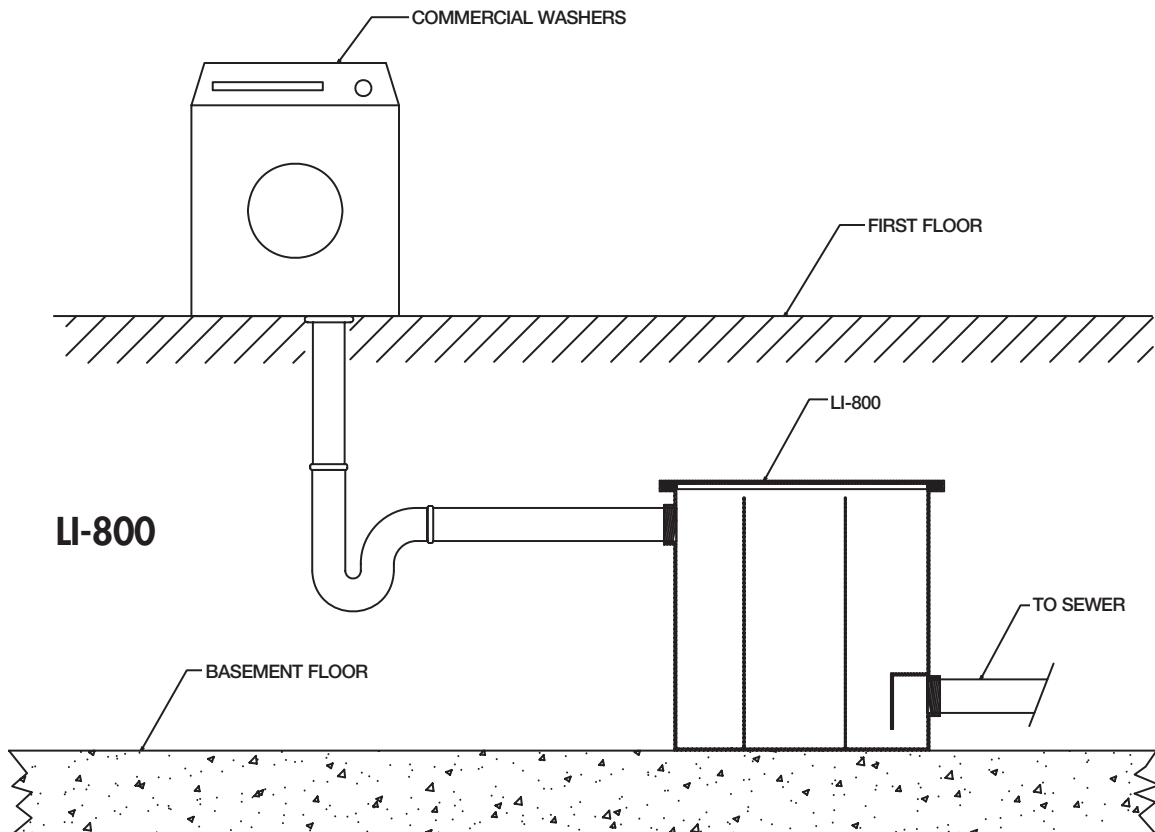
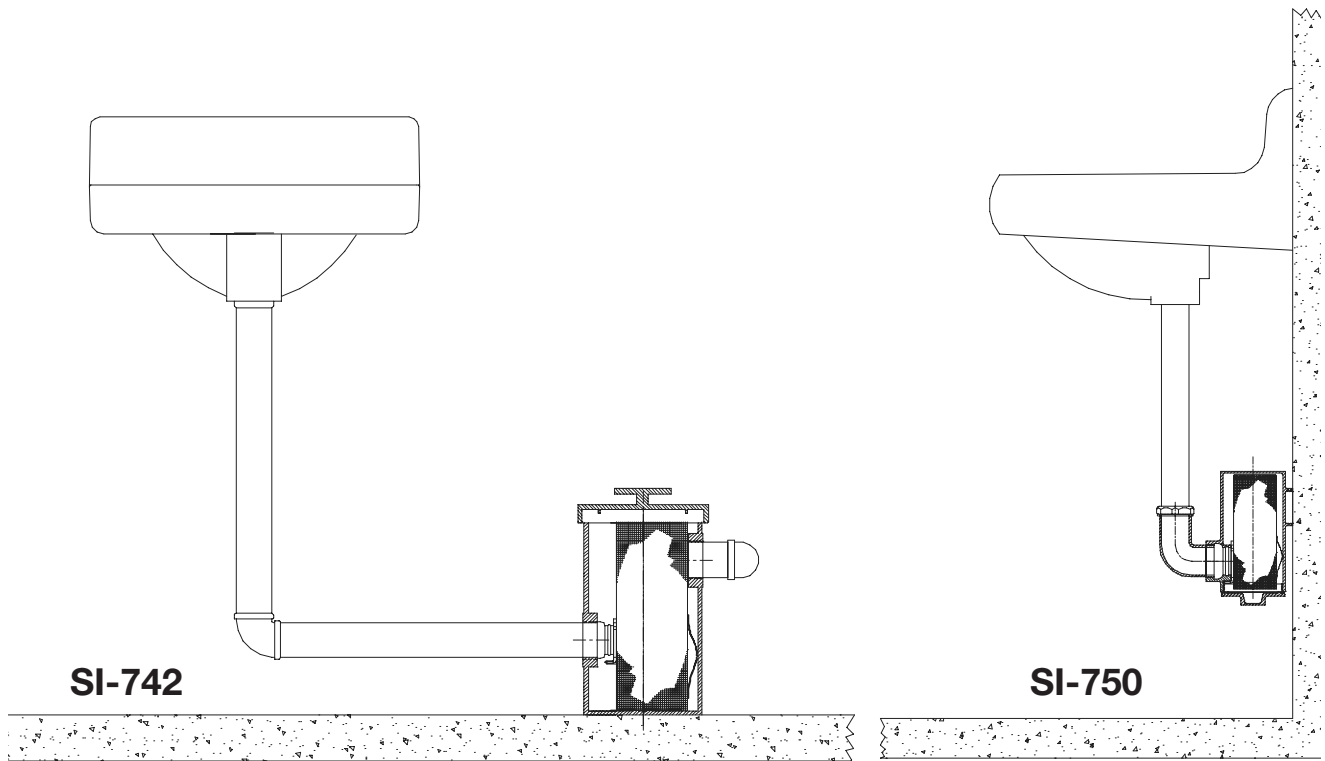
Allows smaller floor mounted interceptors to be recessed in the floor.

### Maintenance & Cleaning

Sediment interceptors must be routinely inspected and cleaned, in order to prevent clogging, and maintain operating efficiency. Maintenance frequency is dependent upon the specific application, and amount of incoming debris.

# Interceptors

## Typical Sediment Interceptor Installations



Consult factory for all pricing and applications outside of listed parameters.  
Prices do not include applicable taxes.

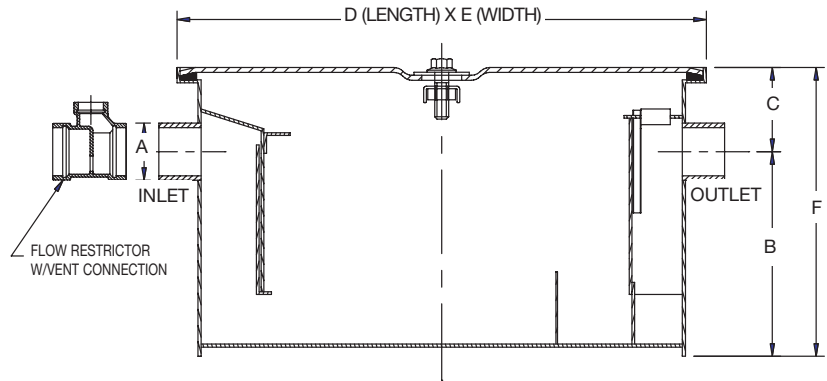




# Grease Interceptors

WD Series

PDI Certified Grease Interceptor



ISO 9001-2008  
CERTIFIED

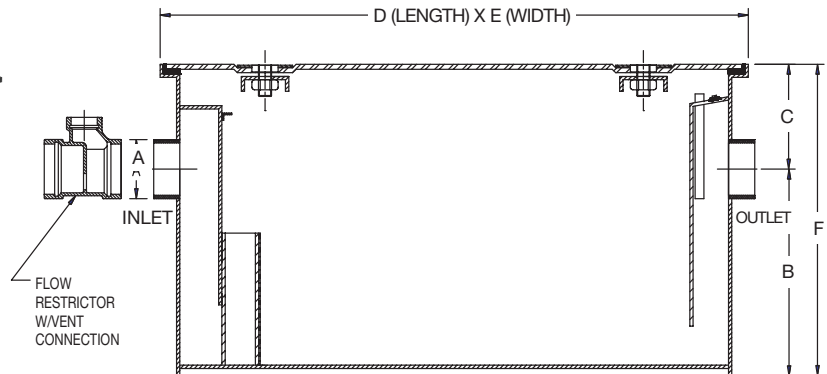


Interceptor Model Number	EDP#	List Price A.R.E.	-HD 10,000 Lbs. (Traffic Cover) Add	Flow Rate GPM	Grease Capacity Lbs.	A Inlet & Outlet	B Base to Center	C Top to Center	D Length	E Width	F Height	Weight Lbs.
WD-4	8150959	\$2,916.00	\$7,052.00	04	08	2"	7-3/4"	3-1/4"	16"	10"	11"	37.48
WD-7	8150960	4,051.00	7,458.00	07	14	2"	8-1/2"	3-1/2"	18"	13"	12"	54.01
WD-10	8150961	4,758.00	8,287.00	10	20	2"	8-1/2"	3-1/2"	21-3/4"	14"	12"	63.93
WD-15	8150962	7,052.00	9,160.00	15	30	2"	10-1/2"	3-1/2"	22"	15"	14"	74.07
WD-20	8150963	8,625.00	9,593.00	20	40	3"	11-1/2"	3-1/2"	24"	15-3/4"	15"	83.77
WD-25	8150964	9,692.00	10,127.00	25	50	3"	12"	4-1/2"	26"	16-1/2"	16-1/2"	95.90
WD-35	8150965	11,975.00	13,938.00	35	70	3"	14"	5"	30"	18"	19"	123.46
WD-50	8150966	15,856.00	15,292.00	50	100	4"	16"	5-1/2"	32"	22"	21-1/2"	160.94

\*-HD Option Requires Minimum 3" Extension

WD-L Series

PDI Certified Low-Rough-In Grease Interceptor



Interceptor Model Number	EDP#	List Price A.R.E.	Flow Rate GPM	Grease Capacity Lbs.	A Inlet & Outlet	B Base to Center	C Top to Center	D Length	E Width	F Height	Weight Lbs.
WD-20-L	8151237	\$11,627.00	20	40	3"	7-3/4"	4"	35"	23"	12"	62.10
WD-35-L	8151746	14,969.00	35	70	4"	7"	4-1/2"	41"	33"	12"	93.70
WD-50-L	8100892	25,358.00	50	100	4"	8-1/2"	5-1/2"	55"	33"	14"	130.70

\*Note: WD-50-L Not PDI Certified

## Options for WD & WD-L Series:

Suffix	Description	List Price	Suffix	Description	List Price
-AL	Aluminum Cover	\$2,114.00	-O	Inlet & Outlet other than Standard Size	\$813.00
-B	Sediment Bucket	2,439.00	-SS	All Stainless Steel	P.O.A.
-E	Extension Up to 12"	5,285.00	-THD	Threaded Connection	No Add
	Extension over 12" add per inch	372.50			
-FC	Flange & Clamp Device	1,990.00			

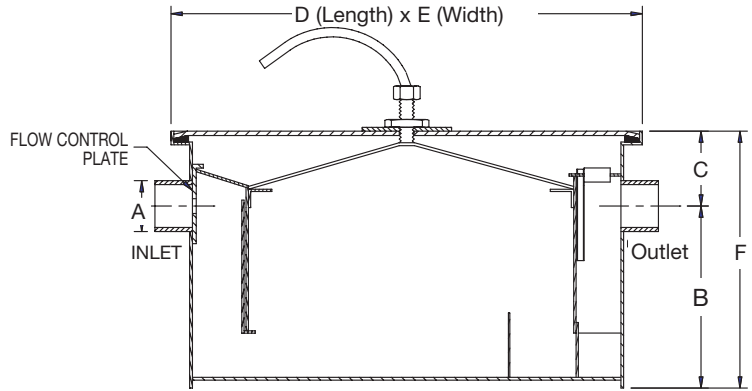


Consult factory for all pricing and applications outside of listed parameters.  
Prices do not include applicable taxes.

# Grease Interceptors

## WD-A Series

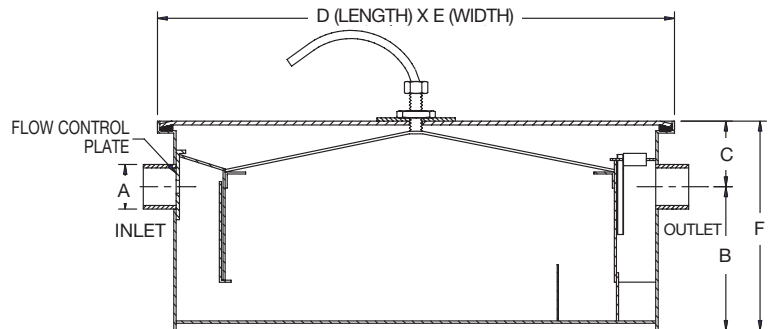
## Semi-Automatic Draw-Off Grease Interceptor



Interceptor Model Number	EDP#	List Price A.R.E.	Flow Rate GPM	Grease Capacity	A Inlet & Outlet	B Base to Center	C Top to Center	D Length	E Width	F Height	Weight Lbs.
WD-7-A	8185874	\$10,351.00	7	14	2"	8-1/2"	3-1/2"	18"	13"	12"	59.01
WD-10-A	8186041	12,242.00	10	20	2"	8-1/2"	3-1/2"	21-3/4"	14"	12"	68.93
WD-15-A	8185878	13,043.00	15	30	2"	10-1/2"	3-1/2"	22"	15"	14"	79.07
WD-20-A	8185818	16,767.00	20	40	3"	11-1/2"	3-1/2"	24"	15-3/4"	15"	88.77
WD-25-A	8185821	19,451.00	25	50	3"	12"	4-1/2"	26"	16-1/2"	16-1/2"	100.90
WD-35-A	8185828	19,953.00	35	70	3"	14"	5"	30"	18"	19"	128.46
WD-50-A	8186078	22,779.00	50	100	4"	16"	5-1/2"	32"	22"	21-1/2"	165.94
WD-75-A	8186016	27,099.00	75	150	4"	18-1/2"	5-1/2"	36"	24"	24"	N/A

## WD-LA Series

## Low Rough-In Semi-Automatic Draw-Off Grease Interceptor



Interceptor Model Number	EDP#	List Price A.R.E.	Flow Rate GPM	Grease Capacity Lbs.	A Inlet & Outlet	B Base to Center	C Top to Center	D Length	E Width	F Height	Weight Lbs.
WD-20-LA	8186042	\$19,342.00	20	40	3"	7-3/4"	4"	35"	23"	12"	67.10
WD-25-LA	8188164	20,709.00	25	50	3"	7-1/2"	4-1/2"	38"	28"	12"	N/A
WD-35-LA	8186006	27,264.00	35	70	4"	7"	4-1/2"	41"	33"	12"	98.70

### Options for WD-A, WD-LA, WD-AH, WD-H Series:

Suffix	Description	List Price
-O	Inlet & Outlet other than Standard	\$813.00
-SS	All Stainless Steel	P.O.A.

Consult factory for all pricing and applications outside of listed parameters.

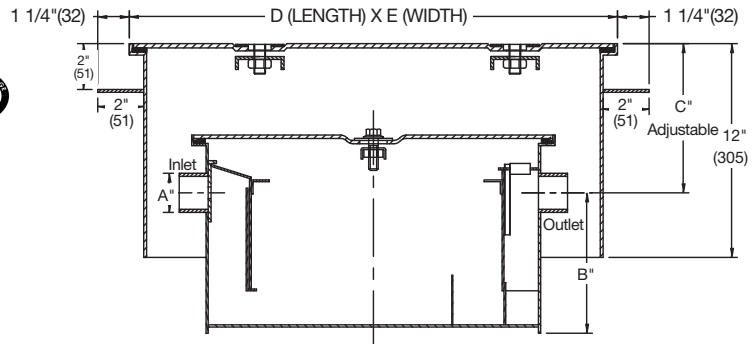
Prices do not include applicable taxes.



# Grease Interceptors

**WD-H**

**Grease Interceptor with Access Housing**

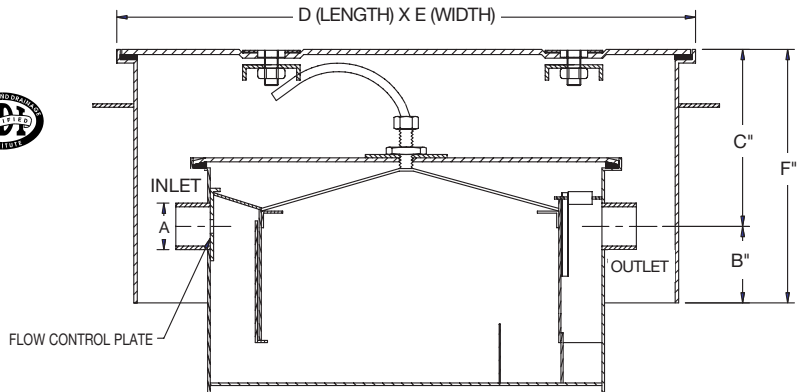


Interceptor Model Number	EDP#	List Price A.R.E.	Flow Rate GPM	Grease Capacity	A Inlet & Outlet	B Base to Center Min. Max.	C Top to Center Min. Max.	D Length	E Width	F Height
WD-7-H	8187953	\$11,718.00	7	14	2"	V 5-1/2"	5-1/4" 13-1/4"	35"	18-1/2"	12"
WD-10-H	8188389	12,745.00	10	20	2"	A 5-1/2"	5-1/4" 13-1/4"	39"	19-1/2"	12"
WD-15-H	8187586	15,607.00	15	30	2"	R 5-1/2"	5-1/4" 13-1/4"	39"	20-1/2"	12"
WD-20-H	8185840	17,733.00	20	40	3"	I 5-1/2"	5-1/4" 13-1/4"	41"	21-1/2"	12"
WD-25-H	8185816	19,034.00	25	50	3"	A 4-1/2"	6-1/4" 14-1/4"	43"	22"	12"
WD-35-H	8186158	21,731.00	35	70	3"	B 4"	6-3/4" 14-3/4"	47"	23-1/2"	12"
WD-50-H	8185902	30,070.00	50	100	4"	L 3-1/2"	7-1/4" 15-1/4"	49"	27-1/2"	12"
WD-75-H	8188724	38,723.00	75	150	4"	E 3-1/2"	7-3/4" 15-3/4"	53"	29-1/2"	12"

(Housing dimensions only; for Interceptor only dimensions, see WD-A Series)

**WD-AH Series**

**Semi-Automatic Draw-Off Grease Interceptor with Access Housing**



Interceptor Model Number	EDP#	List Price A.R.E.	Flow Rate GPM	Grease Capacity Lbs.	A Inlet & Outlet	B Base to Center Min. Max.	C Top to Center Min. Max.	D Length	E Width	F Height
WD-7-AH	8186150	\$18,675.00	7	14	2"	V 5-1/2"	5-1/4" 13-1/4"	35"	18-1/2"	12"
WD-10-AH	8186167	21,906.00	10	20	2"	A 5-1/2"	5-1/4" 13-1/4"	39"	19-1/2"	12"
WD-15-AH	8186613	23,785.00	15	30	2"	R 5-1/2"	5-1/4" 13-1/4"	39"	20-1/2"	12"
WD-20-AH	8186017	27,685.00	20	40	3"	I 5-1/2"	5-1/4" 13-1/4"	41"	21-1/2"	12"
WD-25-AH	8186040	30,566.00	25	50	3"	A 4-1/2"	6-1/4" 14-1/4"	43"	22"	12"
WD-35-AH	8185887	31,839.00	35	70	3"	B 4"	6-3/4" 14-3/4"	47"	23-1/2"	12"
WD-50-AH	8185851	34,775.00	50	100	4"	L 3-1/2"	7-1/4" 15-1/4"	49"	27-1/2"	12"
WD-75-AH	8186085	41,672.00	75	150	4"	E 3-1/2"	7-3/4" 15-3/4"	53"	29-1/2"	12"

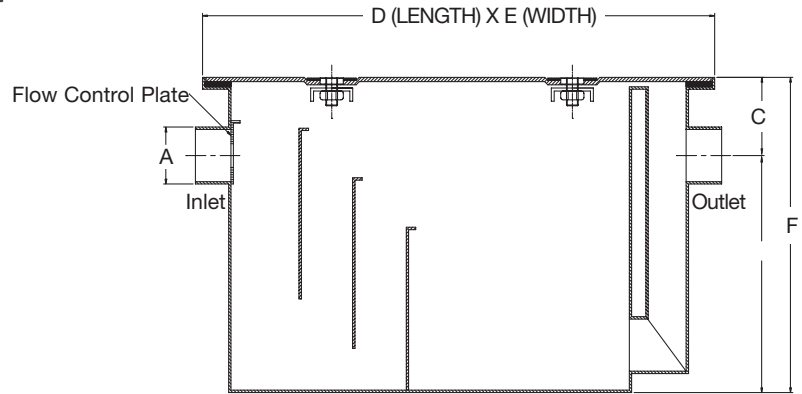
(Housing dimensions only; for Interceptor only dimensions, see WD-A Series)

# Grease Interceptors

## GI-K SERIES

## Large Capacity Grease Interceptor

Interceptor Model Number	EDP#	List Price	-HD 10,000 lbs. (Traffic Cover)* Add	Flow Rate GPM	Grease Capacity Lbs.	A Inlet & Outlet	B Base to Center	C Top to Center	D Length	E Width	F Height	Weight Lbs.
GI-75-K	8142012	\$31,952.00	\$10,152.00	75	150	4"	18-1/2"	4-1/2"	39-3/4"	30-3/4"	23"	264.55
GI-100-K	8141970	35,952.00	13,971.00	100	200	4"	28-1/2"	4-1/2"	39-3/4"	30-3/4"	33"	317.46
GI-150-K	8141976	39,933.00	17,935.00	150	300	4"	38-1/2"	4-1/2"	39-3/4"	30-3/4"	43"	401.24
GI-200-K	8141981	42,281.00	20,457.00	200	400	4"	36-1/2"	6-1/2"	52"	34"	43"	493.83
GI-250-K	8185196	67,422.00	28,238.00	250	500	4"	39-1/2"	6-1/2"	52"	34"	46"	639.33
GI-300-K	8185587	79,294.00	36,171.00	300	600	6"	38"	10"	76"	48"	48"	848.77
GI-400-K	8186246	97,022.00	49,119.00	400	800	6"	42"	10"	83"	55"	52"	959.00
GI-500-K	8185903	115,098.00	60,147.00	500	1000	6"	53"	10"	91"	60"	63"	1289.69



\*-HD Option Requires Minimum 3" Extension

### Options for GI-K Series:

Suffix	Description	List Price	Suffix	Description	List Price
AL	Aluminum Cover	\$10,461.00	-O	Inlet & Outlet Other Than Standard Size	\$813.00
B	Sediment Bucket	4,432.00	-SS	All Stainless Steel	P.O.A.
E	Extension Up to 12"	7,047.00	-THD	Threaded Connections	No Add
	Extension Over 12", add per inch	602.00			
-FC	Flange & Clamp Device (on extension only)	5,639.00			

Consult factory for all pricing and applications outside of listed parameters.

Prices do not include applicable taxes.

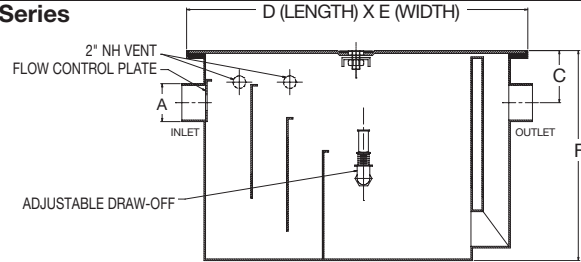


# Oil Interceptors

## OI & OI-K Series Oil Interceptors

Interceptor Model Number	EDP#	Flow Rate GPM	List Price	-HD 10,000 (Traffic Cover)* Add
OI-10	8143676	10	\$6,489.00	\$6,891.00
OI-15	8143678	15	8,900.00	7,412.00
OI-20	8143680	20	9,437.00	7,847.00
OI-25	8143681	25	11,681.00	8,285.00
OI-35	8141999	35	14,202.00	9,160.00
OI-50	8143684	50	21,159.00	9,593.00

### OI Series



### OI Series Dimensional Data

Interceptor Model Number	Flow Rate GPM	A	C	D Length	E Width	F Height	G	H	J	K
OI-10	10	3"	4"	22-1/4"	16-3/4"	11-1/2"	3-1/2"	11-1/2"	5"	4"
OI-15	15	3"	4"	22-1/4"	16-3/4"	14-1/2"	5-1/2"	11-1/2"	5"	4"
OI-20	20	3"	4"	27-1/4"	19-1/4"	16-1/2"	6-1/2"	14-1/4"	6"	5"
OI-25	25	3"	4"	27-1/4"	19-1/4"	18-1/4"	9-1/2"	14-1/4"	6"	5"
OI-35	35	4"	4"	33-3/4"	20-3/4"	18"	9-1/2"	18-1/2"	7"	6"
OI-50	50	4"	4"	33-3/4"	20-3/4"	21-1/2"	13"	18-1/2"	7"	6"

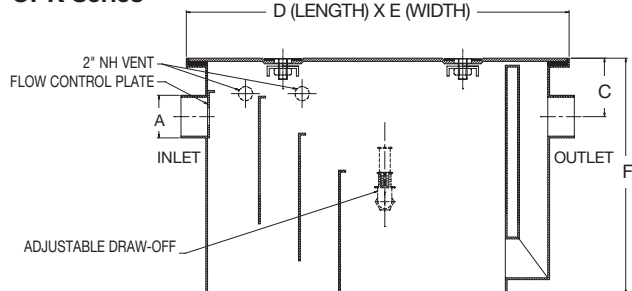
### Options for OI Series:

Suffix	Description	List Price	Suffix	Description	List Price
B	Sediment Bucket	\$2,439.00	-O	Inlet & Outlet Other Than Standard Size	\$813.00
E	Extension Up to 12"	5,285.00	-SS	All Stainless Steel	P.O.A.
-FC	Extension Over 12", add per inch Flange & Clamp Device	372.50 1,864.00	-THD	Threaded Connections	No Add

### OI-K Series Dimensional Data

Interceptor Model Number	EDP#	Flow Rate GPM	List Price	-HD 10,000 (Traffic Cover)* Add
OI-75-K	8143685	75	\$33,083.00	\$10,127.00
OI-100-K	8143677	100	44,388.00	13,936.00
OI-150-K	8185201	150	51,997.00	17,899.00
OI-200-K	8185203	200	62,752.00	20,412.00
OI-250-K	8185180	250	72,675.00	28,174.00
OI-300-K	8186165	300	82,286.00	36,170.00
OI-400-K	8186735	400	108,813.00	49,118.00
OI-500-K	8186543	500	137,248.00	60,011.00

### OI-K Series



Interceptor Model Number	Flow Rate GPM	A	C	D Length	E Width	F Height	G	H	J	K
OI-75-K	75	4"	4-1/2"	39-3/4"	30-3/4"	23"	9 1/2"(241)	21-3/4"	8"	7"
OI-100-K	100	4"	4-1/2"	39-3/4"	30-3/4"	33"	19 1/2"(495)	21-3/4"	8"	7"
OI-150-K	150	4"	4-1/2"	39-3/4"	30-3/4"	43"	29 1/2"(749)	21-3/4"	8"	7"
OI-200-K	200	4"	6-1/2"	52"	34"	43"	18 1/2"(470)	41"	8"	7"
OI-250-K	250	4"	6-1/2"	52"	34"	46"	30 1/2"(775)	45"	8"	7"
OI-300-K	300	6"	10"	76"	48"	48"	28"(711)	48"	12"	10"
OI-400-K	400	6"	10"	83"	55"	52"	32"(813)	52"	12"	10"
OI-500-K	500	6"	10"	91"	60"	63"	43"(1092)	63"	12"	10"

\*-HD Option Requires Minimum 3" Extension

### Options for OI-K Series:

Suffix	Description	List Price	Suffix	Description	List Price
B	Sediment Bucket	\$4,432.00	-O	Inlet & Outlet Other Than Standard Size	\$813.00
E	Extension Up to 12"	7,047.00	-SS	All Stainless Steel	P.O.A.
-FC	Extension Over 12", add per inch Flange & Clamp Device	602.00 5,639.00	-THD	Threaded Connections	No Add

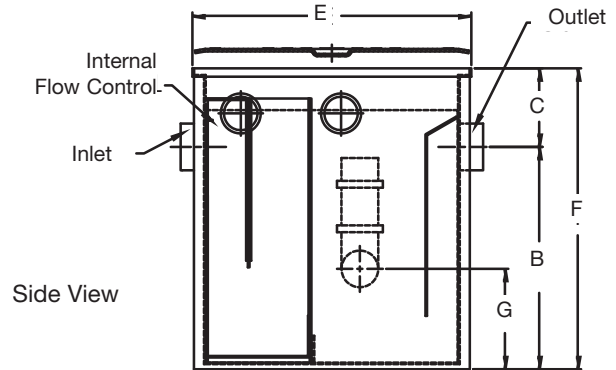
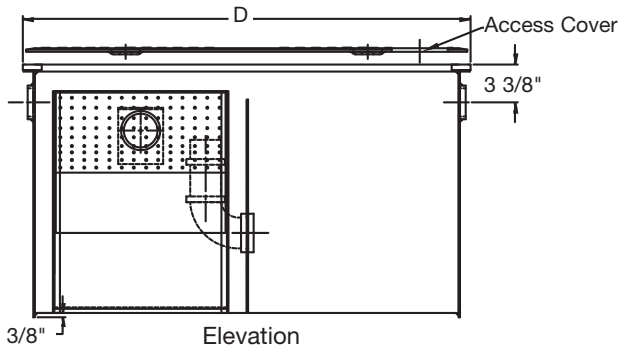
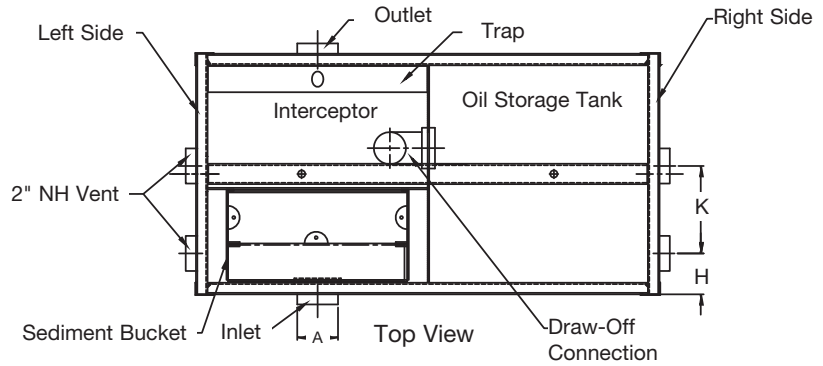


Consult factory for all pricing and applications outside of listed parameters.  
Prices do not include applicable taxes.

# Oil Interceptors

OI-ST Series

Oil Interceptor w/Integral Storage Tank



Interceptor Model Number	EDP#	List Price	-HD 10,000 Lbs. (Traffic Cover)* Add	Flow Rate GPM	Combined Volume Gal.	A Inlet & Outlet	B Base To Center	C Top To Center	D Length	E Width	F Height	G	H	K	J
OI-10-ST	8188471	\$9,722.00	\$10,989.00	10	15	2"	8-1/2"	6"	24"	18"	14-1/2"	3"	4-1/2"	5-1/2"	6"
OI-15-ST	8189085	13,344.00	11,672.00	15	22	2"	12-1/2"	6"	33-3/4"	20-7/8"	18-1/2"	5	4-1/2"	7-1/2"	9"
OI-20-ST	8188641	16,130.00	12,361.00	20	32	3"	14-1/2"	6"	39-3/4"	20-7/8"	20-1/2"	6"	4-1/2"	7-1/2"	10-1/2"
OI-25-ST	8188760	17,514.00	12,410.00	25	35	3"	16-1/2"	6"	39-3/4"	20-7/8"	22-1/2"	7"	4-1/2"	7-1/2"	10-1/2"
OI-35-ST	8188636	21,280.00	13,734.00	35	65	4"	14-1/2"	6"	49-3/4"	32-7/8"	20-1/2"	6"	12"	6"	13"
OI-50-ST	8188581	21,600.00	14,434.00	50	78	4"	18-1/2"	6"	49-3/4"	32-7/8"	24-1/2"	8"	12"	6"	13"
OI-75-ST	8188538	49,626.00	15,175.00	75	214	4"	26-1/2"	6"	49-3/4"	40-7/8"	32-1/2"	16"	12"	12"	13"
OI-100-ST	8188967	53,833.00	20,917.00	100	303	4"	26-1/2"	9-1/2"	90"	58"	36"	20-1/2"	15"	20-1/2"	22-1/2"
OI-150-ST	8189060	66,617.00	26,854.00	150	358	4"	30"	14"	76"	66"	44"	24"	17"	24"	19"
OI-200-ST	8188535	94,102.00	30,669.00	200	453	4"	30-1/2"	17-1/2"	90"	73-1/4"	48"	24-1/2"	18"	25"	22-1/2"
OI-250-ST	8188916	109,009.00	42,238.00	250	590	4"	35-1/2"	15-1/2"	90"	73-1/4"	51"	29-1/2"	18"	25"	22-1/2"
OI-300-ST	8188812	123,512.00	54,254.00	300	816	6"	36-1/2"	15-1/2"	86"	94-7/8"	52"	29-1/2"	23-1/2"	33"	21-1/2"
OI-350-ST	-	144,729.00	62,495.00	350	1068	6"	43-1/2"	16-1/2"	94"	100-7/8"	60"	36-1/2"	24"	35"	23-1/2"
OI-400-ST	8189086	169,551.00	75,322.00	400	1111	6"	43"	17"	91"	107-7/8"	60"	36"	26"	38"	22-3/4"
OI-500-ST	8189024	182,593.00	89,667.00	500	1242	6"	46"	20"	83"	118-7/8"	66"	39"	30"	42"	20-3/4"

\*-HD Option Requires Minimum 3" Extension

## Options for OI-ST Series:

Suffix	Description	List Price	Suffix	Description	List Price
E	Extension Up to 12"	\$8,770.00	-0	Inlet & Outlet Other Than Standard Size	\$813.00
E	Extension over 12", add per inch	602.00	-SS	All Stainless Steel	P.O.A.
FC	Flange & Clamp Device	5,639.00	-THD	Threaded Connections	No Add

Consult factory for all pricing and applications outside of listed parameters.

Prices do not include applicable taxes.

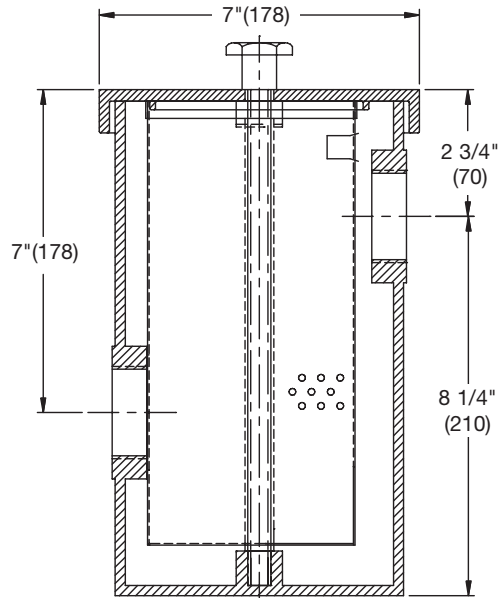


# Hair, Sediment & Solids Interceptors

SI-742

Hair, Plaster, & Sediment Interceptor

Model Number	EDP#	Description	List Price
SI-742	8135382	cast aluminum	\$1,647.00
SI-742-SS	8145690	stainless steel	8,270.00



### Options for SI-742 Series:

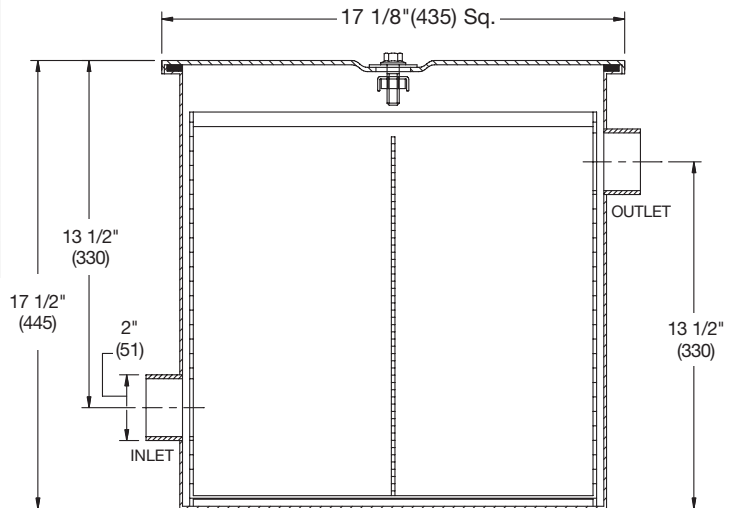
Suffix	Description	List Price
-X	Cover for Recessed Installation	\$635.00



SI-740-L

Large Capacity Sediment Interceptor

Model Number	EDP#	Outlet	Description	List Price
SI-742-L	8187634	2"	Epoxy Coated Steel	\$5,755.00
SI-743-L	8145692	3"	Epoxy Coated Steel	6,568.00
SI-744-L	8185845	4"	Epoxy Coated Steel	6,568.00
SI-742-L-SS	8151783	2"	Stainless Steel	10,553.00
SI-743-L-SS	8185458	3"	Stainless Steel	11,362.00
SI-744-L-SS	8190282	4"	Stainless Steel	11,362.00



### Options for SI-740-L:

Suffix	Description	List Price
-E	Extension Up To 12" Each Additional Inch	\$5,285.00 372.50



Consult factory for all pricing and applications outside of listed parameters.  
Prices do not include applicable taxes.

# Hair, Sediment & Solids Interceptors

## SI-750 & SI-750-TO Hair Interceptor

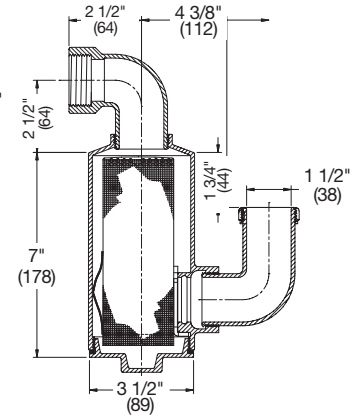
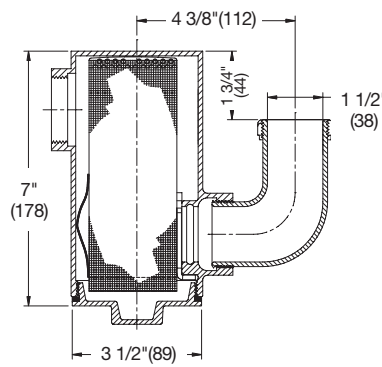
Model Number	EDP#	Description	List Price
SI-750	8135385	Cast Iron, Side Outlet	\$1,096.00
SI-750-TO	8145708	Chrome Plated, Top Outlet	4,005.00



Cast Iron

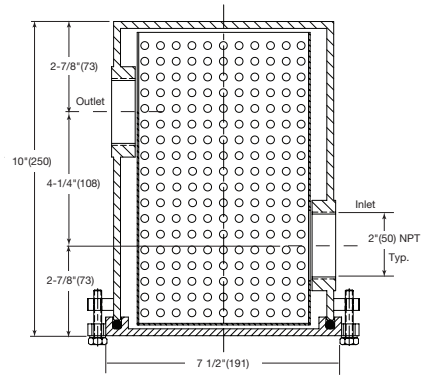


Chrome Plated



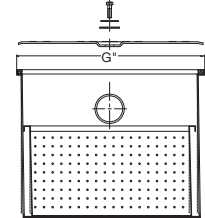
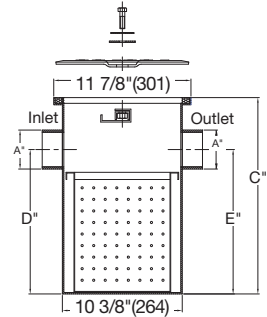
## SI-762 Bottom Access Hair, Plaster, & Sediment Interceptor

Model Number	EDP#	Description	Weight Lbs.	List Price
SI-762	8186577	Epoxy Coated Steel	22	\$1,647.00



## SI-770 Solids Interceptor

Interceptor Model Number	EDP#	List Price	Inlet/Outlet Size	Flow Rate GPM	Solids Cap. Cubic Ft.	C	D/E	G	Wt. Lbs.
SI-770-100	8188175	\$3,245.00	2	4	0.20	10"	7-1/4"	11-3/4"	13.87
SI-770-200	8188611	3,301.00	2	7	0.29	11-1/8"	8-1/8"	13-3/4"	16.75
SI-770-300	8188329	3,419.00	2	10	0.33	11-3/4"	8-1/4"	15-7/8"	18.98
SI-770-400	8157664	3,659.00	3	15	0.38	13-3/8"	9-3/8"	18-5/8"	23.89
SI-770-500	8188612	3,875.00	3	20	0.66	15"	11-3/4"	19-1/8"	26.34
SI-770-600	8188613	4,181.00	3	25	0.79	17"	12-1/2"	21-3/4"	32.19
SI-770-700	8188614	4,436.00	3	35	1.17	18-3/4"	14-1/4"	24-3/8"	36.59
SI-770-800	8188350	4,757.00	4	50	1.35	21-1/8"	16"	24-3/8"	39.89
SI-770-900	8188658	5,142.00	4	75	1.61	22-3/4"	18-1/2"	24-3/8"	39.00
SI-770-1000	8188659	15,930.00	4	100	1.80	27"	23"	24-3/8"	42.00



### Options for SI-770

Suffix	Description	List Price
-E	Extension Up to 12"	\$5,285.00
	Extension Over 12", add per inch	372.50
-O	Inlet & Outlet Other Than Standard Size	813.00
-SS	All Stainless Steel	P.O.A.
-THD	Threaded Connections	No Add



Consult factory for all pricing and applications outside of listed parameters.

Prices do not include applicable taxes.

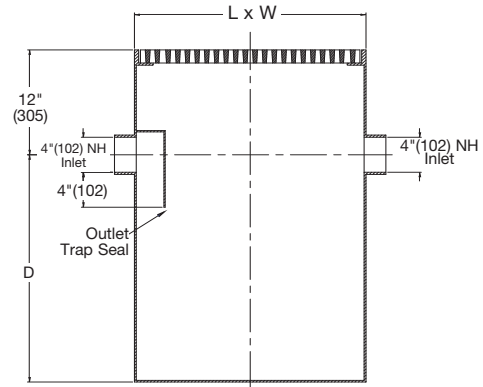




# Lint & Sand Interceptors

## ST Series Sand Trap

Interceptor Model Number	EDP#	List Price	Flow Rate	Inlet & Outlet	L Length	W Width	D	Capacity Gal.	No. of Grates
ST-20	8188646	\$15,998.00	20	4"	24"	24"	26"	60	1
ST-50	8188674	27,135.00	50	4"	48"	24"	26"	120	2
ST-150	8189182	81,994.00	150	4"	48"	48"	38"	360	4
ST-250	8189183	85,330.00	250	6"	72"	48"	39"	540	6
ST-500	8189184	104,986.00	500	6"	120"	48"	51"	1200	10

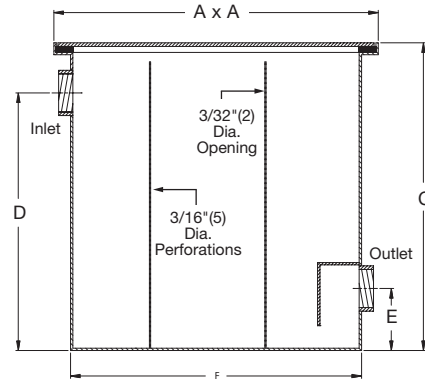


### Options for ST Series:

Suffix	Description	List Price	Suffix	Description	List Price
-E	Extension Up to 12"	\$8,806.00	-THD	Threaded Connections	No Add
	Each Additional Inch	602.00	-Q	Special (Describe)	P.O.A.
-O	Inlet & Outlet Non-Standard	813.00			
-ST	Solid Checker Plate Cover	1,959.00			

## LI-800 Lint Interceptor

Model Number	EDP#	List Price	Size/No. of Machines	Inlet / Outlet Size	Flow Rate GPM	Approx. Weight/ Lbs.	A	C	D	E	F
LI-803	8185896	\$12,799.00	3	2"	30	93	17"	16-1/2"	13-1/2"	3-1/4"	15-1/4"
LI-807	8145748	14,893.00	7	3"	70	155	25"	20"	16-1/2"	3-1/4"	23-1/4"
LI-810	8145747	17,521.00	10	4"	100	271	33"	28"	20-1/8"	4"	31-1/4"
LI-820	8150855	21,275.00	20	4"	200	404	40"	35"	27-1/8"	4"	38-1/4"
LI-830	8145749	24,642.00	30	6"	300	654	45"	40"	28-1/8"	5"	43-1/4"
LI-840	8185181	28,104.00	40	6"	400	723	48"	43"	31-1/8"	5"	46-1/4"
LI-850	8185210	31,548.00	50	6"	500	911	52"	47"	35-1/8"	5"	50-1/4"



### Options for LI-800

Suffix	Description	List Price
-E	Extension Up to 12"	\$3,003.00
	Each Additional Inch	372.50
-HD	10,000 Traffic Cover*	P.O.A.
-O	Inlet & Outlet other than Standard	813.00
-SS	All Stainless Steel	P.O.A.

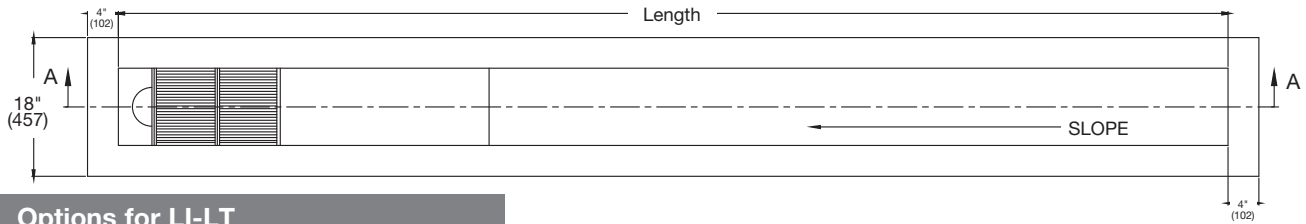
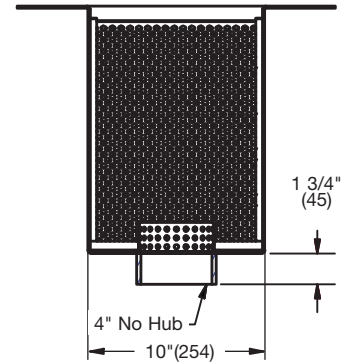
# Lint & Sand Interceptors

## LI-LT Series

## Stainless Steel Lint Trough

Model Number	EDP #	Length	List Price
LI-12-LT	8189161	12'	\$35,991.00
LI-8-LT	8189776	8'	29,129.00
LI-4-LT	8189401	4'	22,267.00

Note: Custom lengths available at \$5,558.00 per foot.  
(Call for Availability)



### Options for LI-LT

Suffix	Description	List Price
-4	4' Base Option	\$22,267.00

## SA-Series

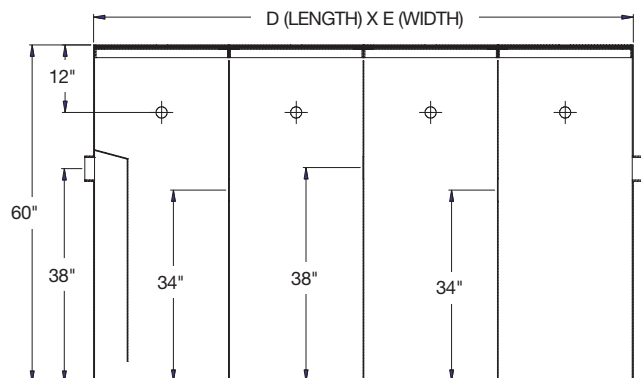
## Heavy Duty Sand & Sediment Interceptor

Model Number	EDP#	GPM	Wt. Lbs.	Cu. Ft.	Length	Width	Height	List Price	-HD 10,000 (Add) (Traffic Cover)
SA-310	8186454	300	1600	43	60"	36"	60"	\$47,544.00	\$9,538.00
SA-410	8187188	400	1750	54	72"	36"	60"	73,221.00	12,537.00
SA-510	8154227	500	2100	72	96"	36"	60"	98,064.00	18,260.00
SA-610	8153021	600	2500	81	108"	36"	60"	100,357.00	20,628.00
SA-710	8187789	700	2700	90	120"	36"	60"	109,518.00	22,750.00
SA-810	8190286	800	3000	108	144"	36"	60"	112,860.00	23,580.00
SA-1010	-	1000	3640	135	180"	36"	60"	134,341.00	25,226.00

\*-HD Option Requires Minimum 4" Extension

### Options for SA-Series

Suffix	Description	List Price
-E	Extension Up to 12"	\$8,770.00
	Each Additiona Inch	602.00
-FC	Flange & Clamp Device	5,639.00
-O	Inlet & Outlet other than Standard	813.00



Consult factory for all pricing and applications outside of listed parameters.

Prices do not include applicable taxes.



# Cleanouts

## Table Of Contents

- Pictorial Index
- Product Recommendations
- Cleanout Selection Factors
  - Materials
  - Pipe Connections
  - Load Ratings
  - Design Considerations
  - Commonly Specified Options
  - Typical Installations



# Cleanouts

## Pictorial Index



**CO-190-PR**  
Pronto; Cast Iron Adj. Floor  
Cleanout w/Integrated Level



**CO-190-PR-60**  
Pronto; PVC Adj. Floor  
Cleanout w/Integrated Level



**CO-200-H**  
Elastomeric Flange



**CO-200-R**  
Round NB Top



**CO-200-RC**  
Carpet Marker



**CO-200-RFC7**  
Surface Membrane Clamp



**CO-200-RX**  
HD Round NB Top



**CO-200-RX-4**  
HD Round DI Top



**CO-200-S**  
Square NB Top



**CO-200-SX**  
HD Square NB Top



**CO-200-SX-4**  
HD Square DI Top



**CO-200-T**  
Round w/Tile Recess



**CO-200-TS**  
Square w/Tile Recess



**CO-200-U**  
Round w/Terrazzo Recess



**CO-200-US**  
Square w/Terrazzo Recess



**CO-260**  
8" dia. HD Top

Consult factory for all pricing and applications outside of listed parameters.  
Prices do not include applicable taxes.



# Cleanouts

## Pictorial Index



**CO-270**  
7" Dia.  
Non-Adjustable Top



**CO-300-MF**  
HD Access Housing



**CO-300-R**  
Round Access Cover



**CO-300-S**  
Square Access Cover



**CO-380**  
Cleanout Ferrule



**CO-380-RD**  
Wall Cleanout Ferrule with  
Stainless Steel Cover



**CO-390-E**  
General Purpose



**CO-410**  
Floor Access Housing



**CO-440-RD**  
Wall Cleanout w/Poly Plug



**CO-450-RD**  
CI Wall Cleanout



**CO-460**  
Stack Cleanout



**CO-460-RD**  
Stack Cleanout w/SS cover



**CO-480-RD**  
SS Cover & Screw



**CO-590**  
Brass Plug



**CO-590-RD**  
Wall Cleanout with  
Brass Plug



**CO-600-R**  
Isolation Cleanout

# Cleanouts

## Pictorial Index



**CO-1190-PR**  
Pronto; Cast Iron Adj. Floor  
Cleanout w/Integrated Level



**CO-1190-PR-60**  
Pronto; PVC Adj. Floor  
Cleanout w/Integrated Level



**CO-1200-R**  
HD Round SS Top



**CO-1200-RX**  
XHD Round SS Top



**CO-1200-S**  
HD Square SS Top



**CO-1200-SX**  
XHD Square SS Top

## Recommendations

Application	Product
Basement areas	CO-200-RX-4, CO-390-E
Clinical & surgical areas	CO-1200-R-28, CO-1200-S-28
Floor access covers	CO-300-R, CO-300-S, CO-410
Food preparation areas	CO-1200-R, CO-1200-S
Garage and service bays	CO-260, CO-270
Industrial and warehouse areas	CO-200-RX, CO-200-RX-4, CO-200-SX, CO-200-SX-4
Interior carpeted areas	CO-200-RC, CO-200-CF
Interior finished areas	CO-200-R, CO-200-S
Maintenance & boiler rooms	CO-200-RX-4, CO-380
Outdoor parking areas	CO-300-MF
Outdoor walkways	CO-200-RX, CO-200-SX
Rubberized poured flooring	CO-200-H
Rubberized sheet flooring	CO-200-RFC7
Sanitary manufacturing areas	CO-1200-RX-28, CO-1200-SX-28
Stack bases	CO-460, CO-460-RD
Stairwells	CO-200-RX-4, CO-390-E
Terrazzo floors (recessed cover)	CO-200-U, CO-200-US
Tile floors (recessed cover)	CO-200-T, CO-200-TS
Wall access covers	CO-480-RD
Wall stubouts	CO-440-RD, CO-450-RD, CO-590-RD

Consult factory for all pricing and applications outside of listed parameters.

Prices do not include applicable taxes.



# Cleanouts

## Cleanout Selection Factors

### Materials

#### Cast iron epoxy coated\*

Industrial grade cast iron, finished with Watts gray acid resistant epoxy coating.

*NOTE: Watts Drainage standard epoxy coating is designed for interim protection of iron components during processing, shipping, and construction. It is not intended to protect surfaces subject to traffic, or environmental conditions. Exposed iron surfaces should be expected to show surface oxidation (rusting) after a short period of time.*

#### Nickel bronze

Nickel bronze alloy is homogenous, highly resistant to wear, and will not be discolored by weather or traffic. Appearance is silvery, and compliments most interior and exterior finishes.

#### Stainless steel

In accordance with ASTM A-351-Grade CF8 (Type 304) standard specification. Highly durable and resistant to corrosion.

#### Ductile iron epoxy coated\*

Superior impact resistance and durability compared to standard cast iron. Watts supplies ductile iron drain grates standard, finished with gray acid resistant epoxy coating.

#### PVC or ABS

Most floor and area drains can be specified with optional PVC (-60) or ABS (-61) plastic bodies for direct sch. 40 solvent weld connection.

### Pipe Connections

#### No hub (standard)

Butt connection using a no hub or neoprene coupling. Suitable for cast iron, plastic, and most other piping applications.

#### Push-on (-P)

ASTM C-564 gasket connection, with pipe stop. Suitable for no hub or service weight cast iron, sch. 40 plastic, and steel pipe. Not recommended for above grade.

#### Inside caulk (-X)

Used for lead and oak joints, pipe is inserted through a caulk ring on the drain outlet.

#### PVC (-60) or ABS (-61) socket

For direct solvent weld connection to sch. 40 plastic pipe.

#### Threaded (-THD)

Female threaded outlet for connection to IPS threaded pipe.

### Load Ratings

Load ratings are based upon maximum anticipated traffic, in accordance with American National Standards AMSE A112.21.1M. See specification pages for specific load rating data.

**Light Duty (LD)** - Safe live load under 2000 lbs.

**Medium Duty (MD)** - Safe live load 2000-4999 lbs.

**Heavy Duty (HD)** - Safe live load 5000-7499 lbs.

**Extra Heavy Duty (XHD)** - Safe live load 7500-10,000 lbs.

**Special Duty (SD)** - Safe live load over 10,000 lbs.

### Design Considerations

#### Cleanout Plugs

Straight thread ANSI gasketed brass plugs are standard in all metal cleanouts. PVC/ABS cleanouts are supplied with a two-piece gasket seal poly plug. All Watts cleanout plugs are gastight, water tight, removable, and hold test.

#### Finished/Unfinished Areas

Finished area top specifications should be nickel bronze, or optional stainless steel. Ductile iron is typically used in unfinished areas, where appearance is not a primary concern.

#### Fixed/Adjustable Tops

Adjustable top drains enable vertical adjustment of the top assembly, to more easily match the finished floor level.

### Commonly Specified Options

#### -6 Vandal Proof

Grate secured with Allen Head screws. Security screws (Torx & Pin, Allen and Pin) may be specified for high security applications.

#### -13 Galvanized

Standard zinc galvanizing, commonly specified above grade in highly corrosive coastal environments or industrial areas.

#### -C Membrane Clamp

Specified in floors with a waterproofing membrane, generally in above grade applications.

#### -CF Carpet Clamping Flange

For CO-200-R, securely clamps carpeting to the cleanout cover.

#### -US Buy American Compliant

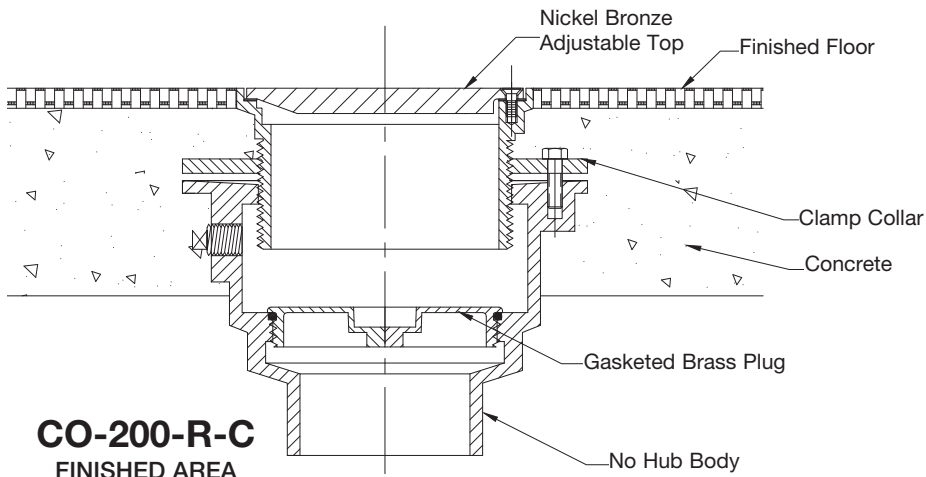
Product will be supplied with minimum 51% domestic content, in compliance with FAR 52.225-9 Buy American Act.



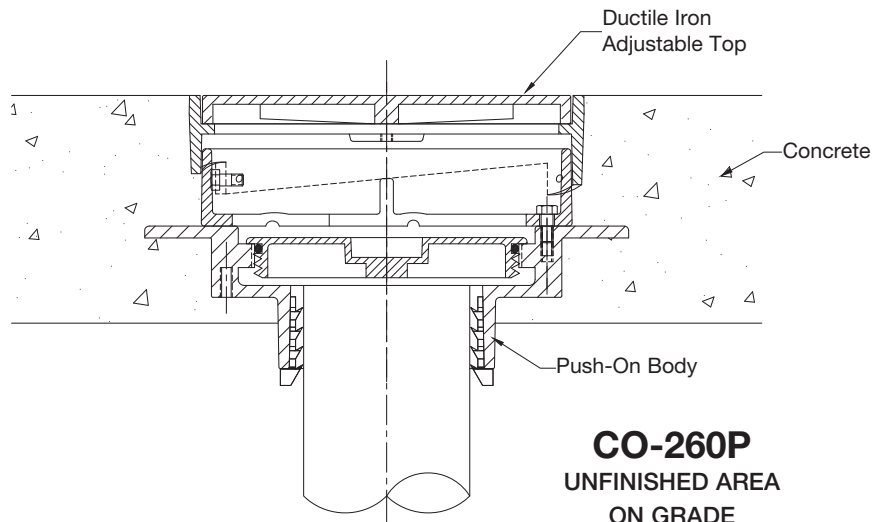
Consult factory for all pricing and applications outside of listed parameters.  
Prices do not include applicable taxes.

# Cleanouts

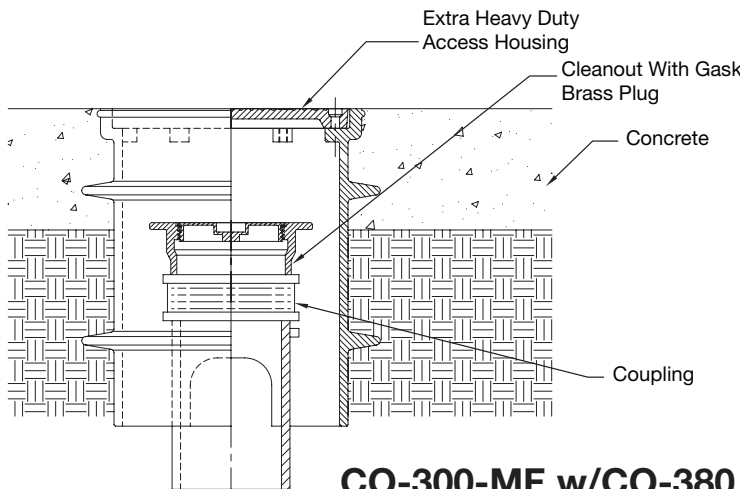
## Typical Installations



**CO-200-R-C**  
FINISHED AREA  
ABOVE GRADE



**CO-260P**  
UNFINISHED AREA  
ON GRADE



**CO-300-MF w/CO-380**  
EXTERIOR YARD AREA

Consult factory for all pricing and applications outside of listed parameters.

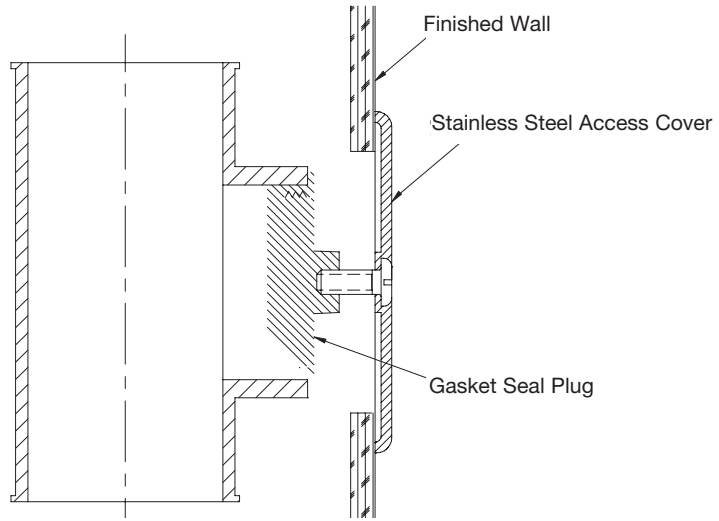
Prices do not include applicable taxes.



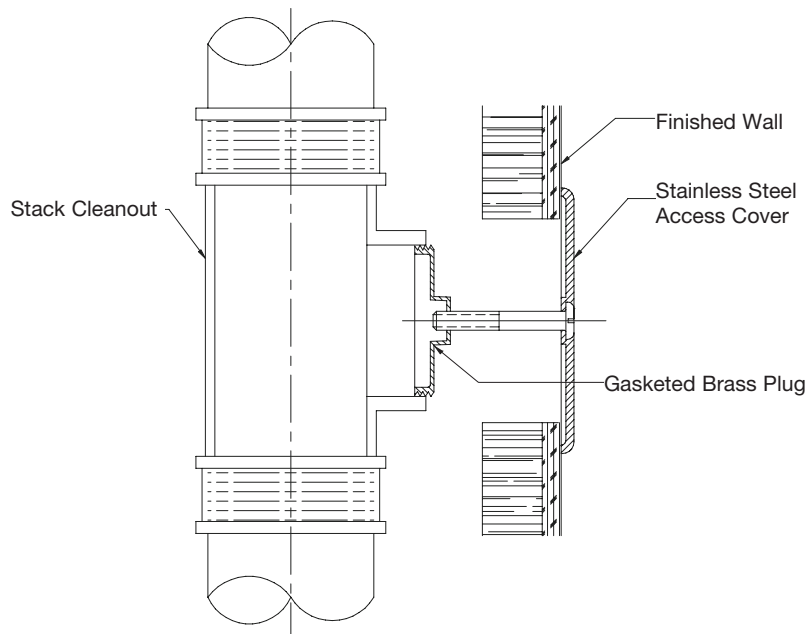


# Cleanouts

## Typical Installations



**CO-440-RD**  
WALL STUB-OUT



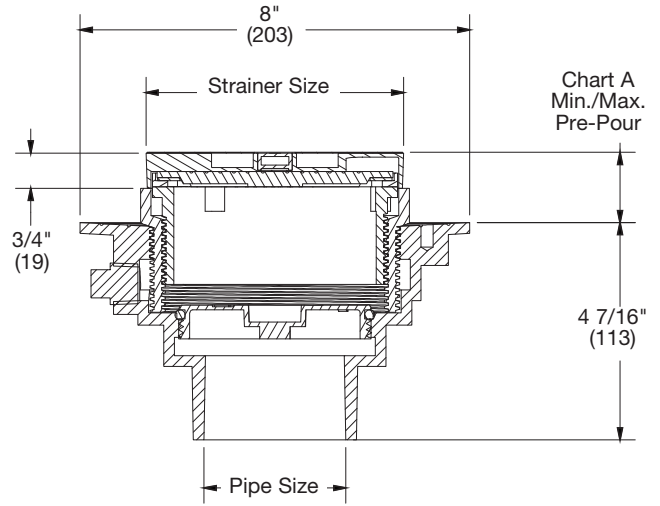
**CO-460-RD**  
VERTICAL STACK

# Adjustable Floor Cleanouts

CO-190-PR

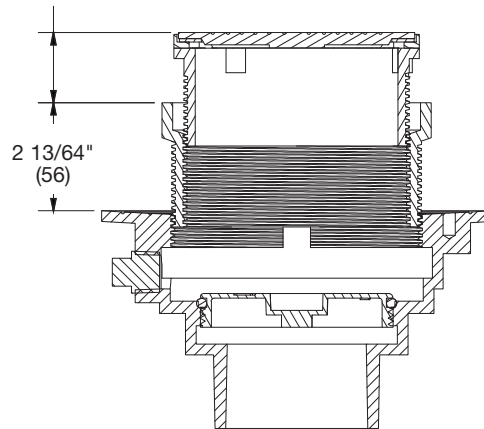
Pronto!® Cast Iron Floor Cleanout with Integrated Level

Model Number	Wt., Lbs.	Pipe Size	Cover Size	Cover	List Price
CO-192-PR5	14	2"(51)	5"(127)	nickel bronze	\$1,234.00
CO-192-PR6	16	2"(51)	6"(152)	nickel bronze	1,268.00
CO-193-PR5	14	3"(76)	5"(127)	nickel bronze	1,268.00
CO-193-PR6	16	3"(76)	6"(152)	nickel bronze	1,333.00
CO-194-PR5	14	4"(102)	5"(127)	nickel bronze	1,402.00
CO-194-PR6	16	4"(102)	6"(152)	nickel bronze	1,467.00
CO-192P-PR5	13	2"(51)	5"(127)	nickel bronze	1,234.00
CO-192P-PR6	15	2"(51)	6"(152)	nickel bronze	1,268.00
CO-193P-PR5	13	3"(76)	5"(127)	nickel bronze	1,268.00
CO-193P-PR6	15	3"(76)	6"(152)	nickel bronze	1,333.00
CO-194P-PR5	13	4"(102)	5"(127)	nickel bronze	1,402.00
CO-194P-PR6	15	4"(102)	6"(152)	nickel bronze	1,467.00



**PATENTED**

0-1" Adj. Post-Pour



Patent No. USD897503 and Patents Pending

Cover Size	Min.	Max.	Load Rating
5"(127)	1 7/16"(37)	2 15/16"(75)	MD
6"(152)	1 7/16"(37)	2 15/16"(75)	LD

Pipe Size	Std. No Hub	P Push On
2"(51)	4 7/16"(113)	4 7/8"(124)
3"(76)	4 7/16"(113)	4 7/8"(124)
4"(102)	4 7/16"(113)	4 7/8"(124)

Suffix	Description	List Price
-C	SS Membrane Clamp	\$278.50

Consult factory for all pricing and applications outside of listed parameters.

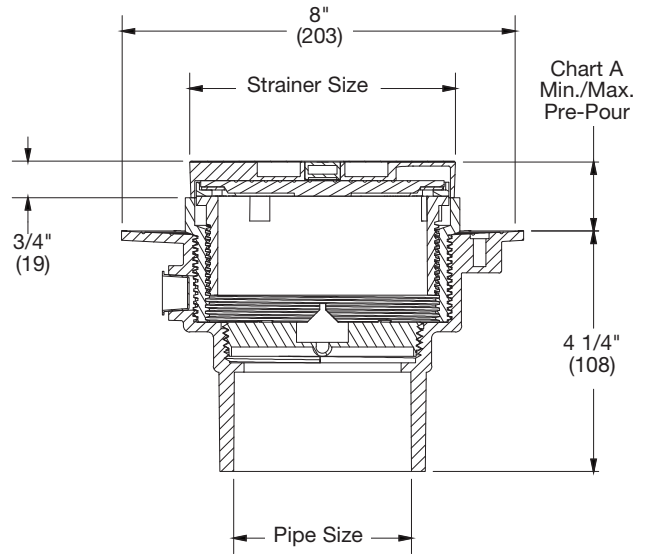
Prices do not include applicable taxes.



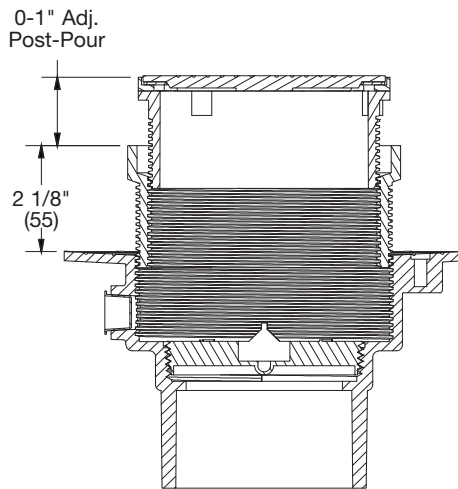
# Adjustable Floor Cleanouts

## CO-190-PR-60 Pronto!® PVC Floor Cleanout with Integrated Level

Model Number	Wt., Lbs.	Pipe Size	Cover Size	Cover	List Price
CO-192-PR5-60	5	2"(51)	5"(127)	nickel bronze	\$834.50
CO-192-PR6-60	6	2"(51)	6"(152)	nickel bronze	866.00
CO-193-PR5-60	5	3"(76)	5"(127)	nickel bronze	867.00
CO-193-PR6-60	6	3"(76)	6"(152)	nickel bronze	933.50
CO-194-PR5-60	5	4"(102)	5"(127)	nickel bronze	1,000.00
CO-194-PR6-60	6	4"(102)	6"(152)	nickel bronze	1,067.00
CO-192N-PR5-60	4	2"(51)	5"(127)	nickel bronze	834.00
CO-192N-PR6-60	5	2"(51)	6"(152)	nickel bronze	866.00
CO-193N-PR5-60	4	3"(76)	5"(127)	nickel bronze	866.00
CO-193N-PR6-60	5	3"(76)	6"(152)	nickel bronze	933.50
CO-194N-PR5-60	4	4"(102)	5"(127)	nickel bronze	1,000.00
CO-194N-PR6-60	5	4"(102)	6"(152)	nickel bronze	1,067.00



**PATENTED**



Patent No. USD897503 and Patents Pending

Chart A			
Cover Size	Min.	Max.	Load Rating
5"(127)	1 7/16"(37)	2 15/16"(75)	MD
6"(152)	1 7/16"(37)	2 15/16"(75)	LD

Chart B		
Pipe Size	Std. 60 PVC	No Hub
2"(51)	4 1/4"(108)	4 3/4"(121)
3"(76)	4 1/4"(108)	4 3/4"(121)
4"(102)	4 1/4"(108)	4 3/4"(121)

### Options for CO-190-PR-60:

Suffix	Description	List Price
-C	SS Membrane Clamp	\$278.50

**WATTS®** Consult factory for all pricing and applications outside of listed parameters. Prices do not include applicable taxes.

# Adjustable Floor Cleanouts

**CO-200-R**

**Floor Cleanout with Round Top**



Model Number	Wt., Lbs.	Pipe Size	Cover	List Price
CO-202-R	11	2"	nickel bronze	\$834.50
CO-203-R	11	3"	nickel bronze	881.50
CO-204-R	11	4"	nickel bronze	1,176.00

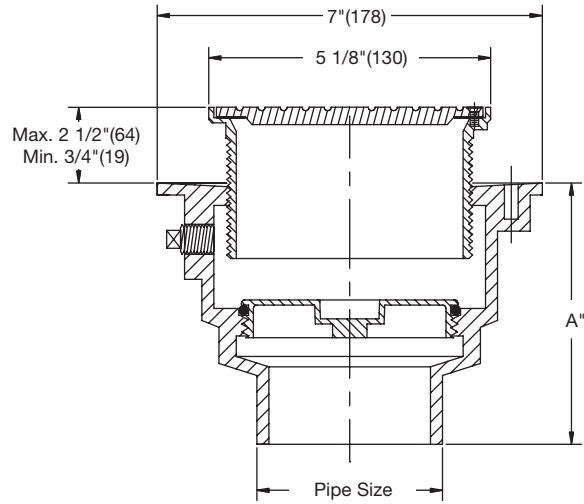


Chart A			
Pipe Size	NH	Push-On	PVC/ABS
2"	4-3/4"	5-1/2"	4"
3"	4-3/4"	5-1/2"	4"
4"	4-3/4"	5-1/2"	4"

**CO-200-RC**

**Floor Cleanout with Round Top, Carpet Marker**



Model Number	Wt., Lbs.	Pipe Size	Cover	List Price
CO-202-RC	11	2"	nickel bronze	\$935.50
CO-203-RC	11	3"	nickel bronze	984.00
CO-204-RC	11	4"	nickel bronze	1,280.00

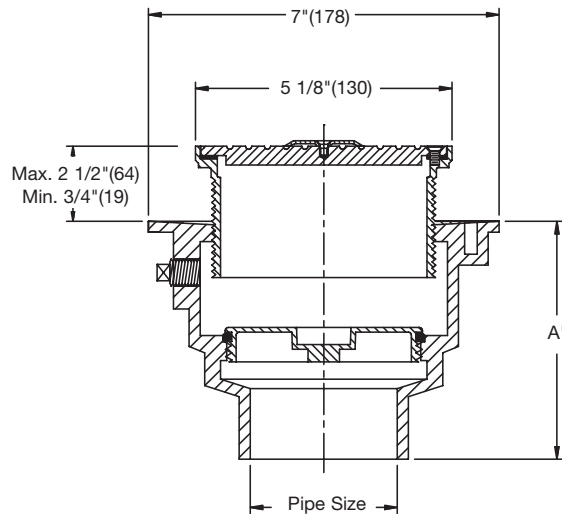


Chart A			
Pipe Size	NH	Push-On	PVC/ABS
2"	4-3/4"	5-1/2"	4"
3"	4-3/4"	5-1/2"	4"
4"	4-3/4"	5-1/2"	4"

## Options for CO-200:

Suffix	Description	List Price	Suffix	Description	List Price
None	No Hub Outlet	No Add	-6	Vandal Proof	\$129.00
P	Push-On Outlet	No Add	-13	Galvanized Body	293.00
-X	Inside Caulk	No Add	-60	PVC Body w/Poly Plug	No Add
-C	Membrane Clamp	\$143.50	-61	ABS Body w/Poly Plug	No Add
-CF	Carpet Clamping Flange	380.50			

Consult factory for all pricing and applications outside of listed parameters.

Prices do not include applicable taxes.

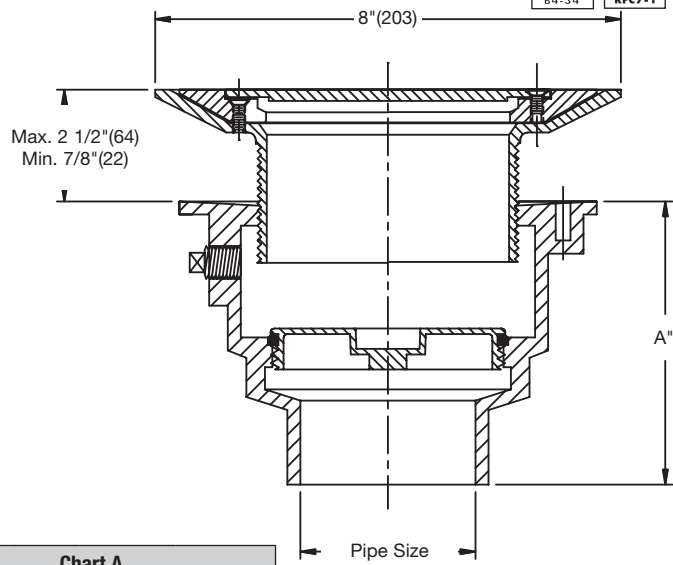


# Adjustable Floor Cleanouts

## CO-200-RFC7 Floor Cleanout with Surface Membrane Clamp



Model Number	Wt., Lbs.	Pipe Size	Cover	List Price
CO-202-RFC7	13	2"	nickel bronze	\$2,247.00
CO-203-RFC7	13	3"	nickel bronze	2,295.00
CO-204-RFC7	13	4"	nickel bronze	2,591.00

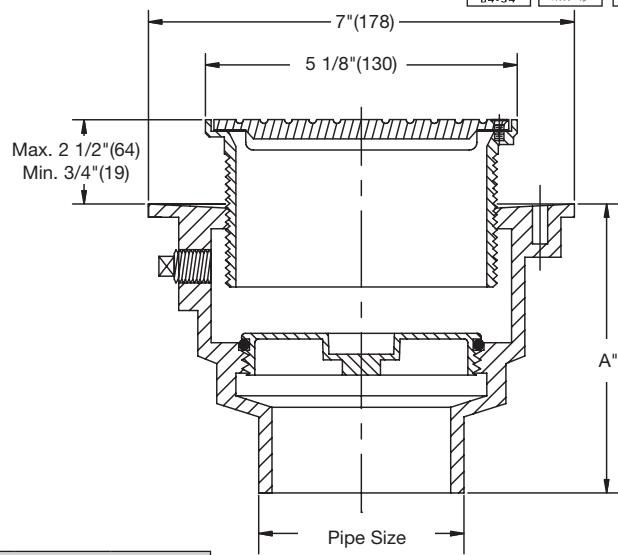


Pipe Size	NH	Push-On	PVC/ABS
2"	4-3/4"	5-1/2"	4"
3"	4-3/4"	5-1/2"	4"
4"	4-3/4"	5-1/2"	4"

## CO-200-RX Floor Cleanout with Heavy Duty Round Top



Model Number	Wt., Lbs.	Pipe Size	Cover	List Price
CO-202-RX	12	2"	nickel bronze	\$1,038.00
CO-203-RX	12	3"	nickel bronze	1,089.00
CO-204-RX	12	4"	nickel bronze	1,381.00



Pipe Size	NH	Push-On	PVC/ABS
2"	4-3/4"	5-1/2"	4"
3"	4-3/4"	5-1/2"	4"
4"	4-3/4"	5-1/2"	4"

### Options for CO-200-RFC7/RX:

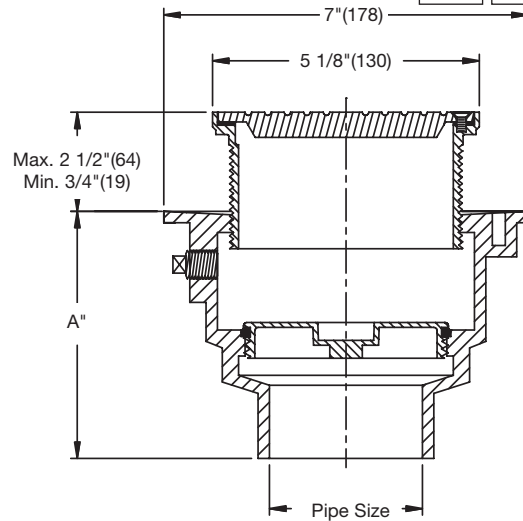
Suffix	Description	List Price	Suffix	Description	List Price
None	No Hub Outlet	No Add	-6	Vandal Proof	\$142.00
P	Push-On Outlet	No Add	-13	Galvanized Body	293.00
-X	Inside Caulk	No Add	-60	PVC Body w/Poly Plug	No Add
-C	Membrane Clamp	\$157.00	-61	ABS Body w/Poly Plug	No Add

# Adjustable Floor Cleanouts

## CO-200-RX-4 Floor Cleanout with Ductile Iron Top



Model Number	Wt., Lbs.	Pipe Size	Cover	List Price
CO-202-RX-4	12	2"	ductile iron	\$562.00
CO-203-RX-4	12	3"	ductile iron	651.00
CO-204-RX-4	12	4"	ductile iron	796.00



### Options for CO-200-RX-4:

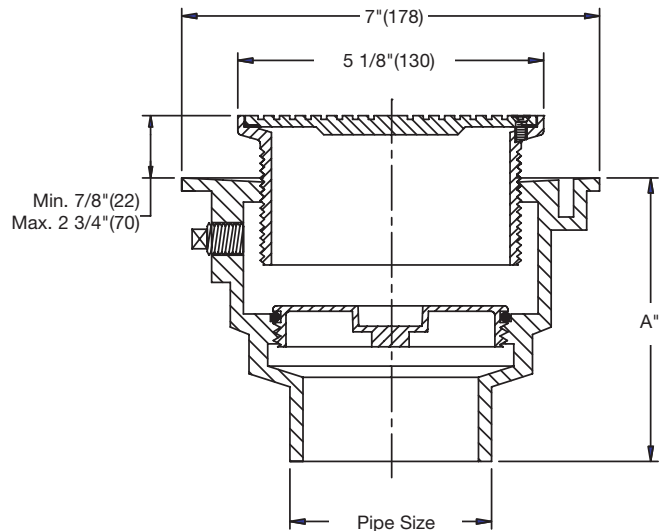
Suffix	Description	List Price
-13	All Galvanized	\$325.50

Pipe Size	NH	Push-On	PVC/ABS
2"	4-3/4"	5-1/2"	4"
3"	4-3/4"	5-1/2"	4"
4"	4-3/4"	5-1/2"	4"

## CO-200-S Floor Cleanout with Square Top



Model Number	Wt., Lbs.	Pipe Size	Cover	List Price
CO-202-S	11	2"	nickel bronze	\$834.50
CO-203-S	11	3"	nickel bronze	881.50
CO-204-S	11	4"	nickel bronze	1,176.00



Pipe Size	NH	Push-On	PVC/ABS
2"	4-3/4"	5-1/2"	4"
3"	4-3/4"	5-1/2"	4"
4"	4-3/4"	5-1/2"	4"

### Options for CO-200-RX-4/S:

Suffix	Description	List Price	Suffix	Description	List Price
None	No Hub Outlet	No Add	-6	Vandal Proof	\$129.00
P	Push-On Outlet	No Add	-13	Galvanized Body	293.00
-X	Inside Caulk	No Add	-60	PVC Body w/Poly Plug	No Add
-C	Membrane Clamp	\$143.50	-61	ABS Body w/Poly Plug	No Add

Consult factory for all pricing and applications outside of listed parameters.

Prices do not include applicable taxes.



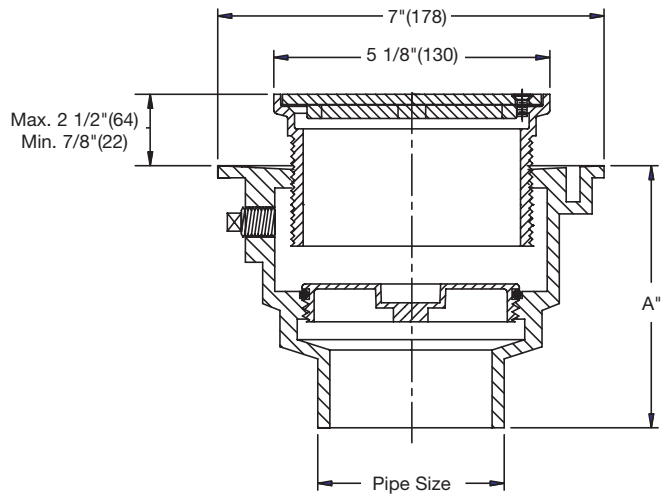
# Adjustable Floor Cleanouts

## CO-200-SX

### Floor Cleanout with Heavy Duty Square Top



Model Number	Wt., Lbs.	Pipe Size	Cover	List Price
CO-202-SX	12	2"	nickel bronze	\$1,038.00
CO-203-SX	12	3"	nickel bronze	1,089.00
CO-204-SX	12	4"	nickel bronze	1,381.00



#### Options for CO-200-SX

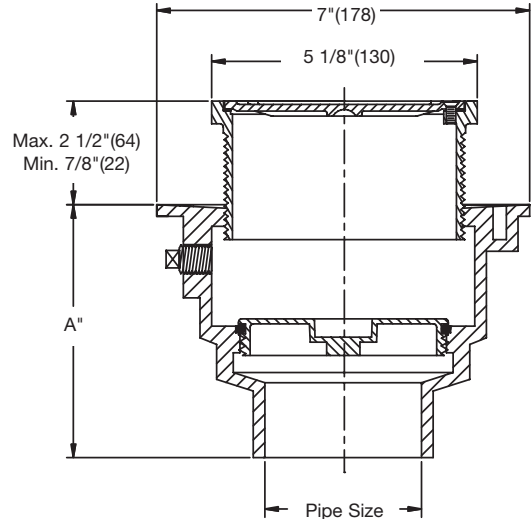
Suffix	Description	List Price
-4	Ductile Iron Top	\$-323.00

## CO-200-T

### Floor Cleanout with Round Top, Tile Recess



Model Number	Wt., Lbs.	Pipe Size	Cover	List Price
CO-202-T	11	2"	nickel bronze	\$834.50
CO-203-T	11	3"	nickel bronze	881.50
CO-204-T	11	4"	nickel bronze	1,176.00



#### Options for CO-200-SX/T:

Suffix	Description	List Price	Suffix	Description	List Price
None	No Hub Outlet	No Add	-6	Vandal Proof	\$129.00
P	Push-On Outlet	No Add	-13	Galvanized Body	293.00
-X	Inside Caulk	No Add	-60	PVC Body w/Poly Plug	No Add
-C	Membrane Clamp	\$143.50	-61	ABS Body w/Poly Plug	No Add



Consult factory for all pricing and applications outside of listed parameters.  
Prices do not include applicable taxes.

# Adjustable Floor Cleanouts

## CO-200-TS

### Floor Cleanout with Square Top, Tile Recess



Model Number	Wt., Lbs.	Pipe Size	Cover	List Price
CO-202-TS	11	2"	nickel bronze	\$834.50
CO-203-TS	11	3"	nickel bronze	881.50
CO-204-TS	11	4"	nickel bronze	1,176.00

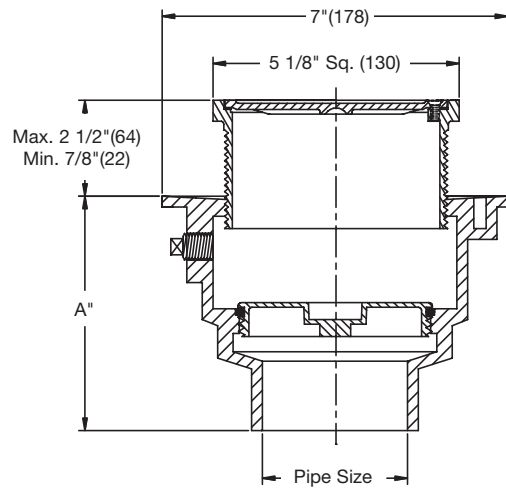


Chart A			
Pipe Size	NH	Push-On	PVC/ABS
2"	4-3/4"	5-1/2"	4"
3"	4-3/4"	5-1/2"	4"
4"	4-3/4"	5-1/2"	4"

## CO-200-U

### Floor Cleanout with Round Top, Terrazzo Recess



Model Number	Wt., Lbs.	Pipe Size	Cover	List Price
CO-202-U	12	2"	nickel bronze	\$1,305.00
CO-203-U	12	3"	nickel bronze	1,353.00
CO-204-U	12	4"	nickel bronze	1,647.00

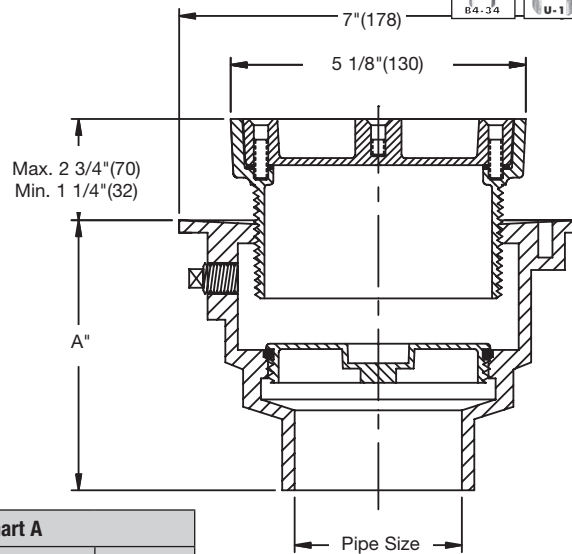


Chart A			
Pipe Size	NH	Push-On	PVC/ABS
2"	4-3/4"	5-1/2"	4"
3"	4-3/4"	5-1/2"	4"
4"	4-3/4"	5-1/2"	4"

#### Options for CO-200-TS/U:

Suffix	Description	List Price	Suffix	Description	List Price
None	No Hub Outlet	No Add	-6	Vandal Proof	\$129.00
P	Push-On Outlet	No Add	-13	Galvanized Body	293.00
-X	Inside Caulk	No Add	-60	PVC Body w/Poly Plug	No Add
-C	Membrane Clamp	\$143.50	-61	ABS Body w/Poly Plug	No Add

Consult factory for all pricing and applications outside of listed parameters.

Prices do not include applicable taxes.





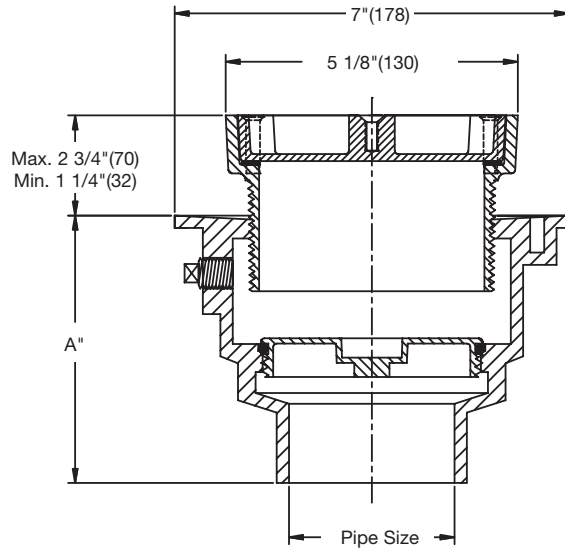
# Adjustable Floor Cleanouts

## CO-200-US

### Floor Cleanout with Square Top, Terrazzo Recess



Model Number	Wt., Lbs.	Pipe Size	Cover	List Price
CO-202-US	12	2"	nickel bronze	\$1,305.00
CO-203-US	12	3"	nickel bronze	1,353.00
CO-204-US	12	4"	nickel bronze	1,647.00

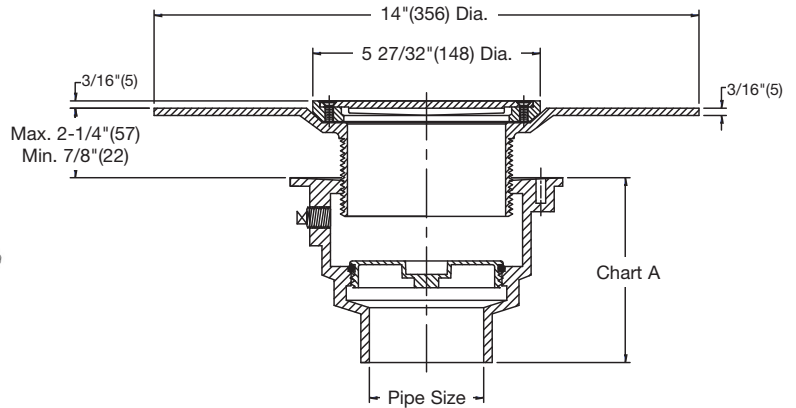


Pipe Size	NH	Push-On	PVC/ABS
2"	4-3/4"	5-1/2"	4"
3"	4-3/4"	5-1/2"	4"
4"	4-3/4"	5-1/2"	4"

## CO-200-H

### Floor Cleanout with Elastomeric Flange

Model Number	Wt., Lbs.	Pipe Size	Cover	List Price
CO-202-H	11	2"	nickel bronze	\$1,837.00
CO-203-H	11	3"	nickel bronze	1,885.00
CO-204-H	11	4"	nickel bronze	2,178.00



Pipe Size	NH	Push-On	PVC/ABS
2"	4-3/4"	5-1/2"	4"
3"	4-3/4"	5-1/2"	4"
4"	4-3/4"	5-1/2"	4"

### Options for CO-200-US/H:

Suffix	Description	List Price	Suffix	Description	List Price
None	No Hub Outlet	No Add	-6	Vandal Proof	\$129.00
P	Push-On Outlet	No Add	-13	Galvanized Body	293.00
-X	Inside Caulk	No Add	-60	PVC Body w/Poly Plug	No Add
-C	Membrane Clamp	\$143.50	-61	ABS Body w/Poly Plug	No Add



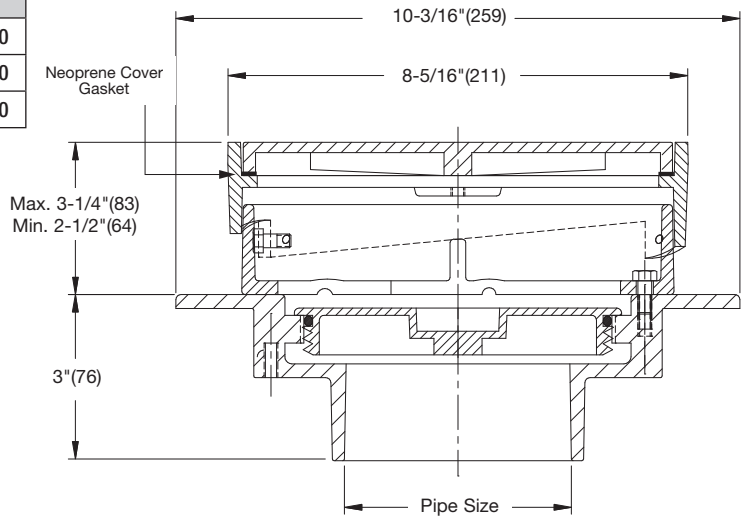
Consult factory for all pricing and applications outside of listed parameters.  
Prices do not include applicable taxes.

# Adjustable Floor Cleanouts

## CO-260

### Floor Cleanout with 8" Round Adjustable Top

Model Number	Wt., Lbs.	Pipe Size	Cover	List Price
CO-263, 4, 6, 8	20	3, 4, 6, 8"	ductile iron	1,614.00
CO-263, 4, 6, 8-1	20	3, 4, 6, 8"	nickel bronze	1,916.00
CO-263, 4, 6, 8-S-1	20	3, 4, 6, 8"	sq. nickel bronze	1,916.00



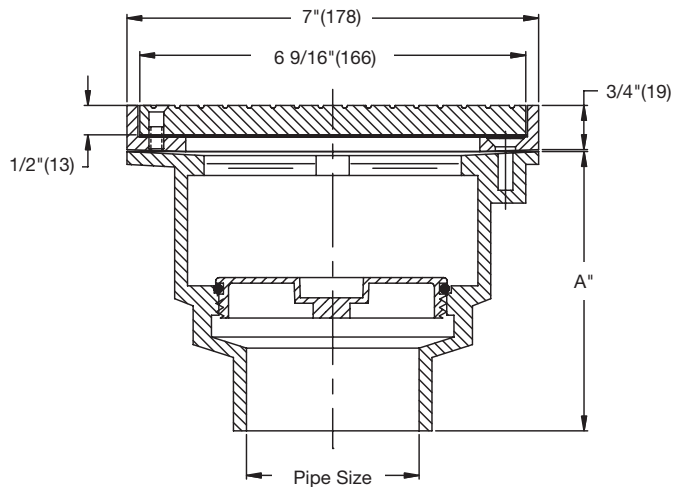
#### Options for CO-260

Suffix	Description	List Price
-None	No Hub Outlet	No Add
P	Push-On Outlet	No Add
-X	Inside Caulik (6" only)	No Add
-3	Round Stainless Steel	\$787.00
-6	Vandal Proof	129.00
-13	All Galvanized	656.50

## CO-270

### Floor Cleanout with Fixed Top

Model Number	Wt., Lbs.	Pipe Size	Cover	List Price
CO-272, 3, 4	12	2, 3, 4"	ductile iron	605.00
CO-272, 3, 4-1	12	2, 3, 4"	nickel bronze	858.00



#### Options for CO-270

Suffix	Description	List Price
-None	No Hub Outlet	No Add
P	Push-On Outlet	No Add
-X	Inside Caulik (6" only)	No Add
-6	Vandal Proof	\$129.00
-13	All Galvanized	359.00

Chart A			
Pipe Size	NH	Push-On	PVC/ABS
2"	4-3/4"	5-1/2"	4"
3"	4-3/4"	5-1/2"	4"
4"	4-3/4"	5-1/2"	4"

Consult factory for all pricing and applications outside of listed parameters.

Prices do not include applicable taxes.

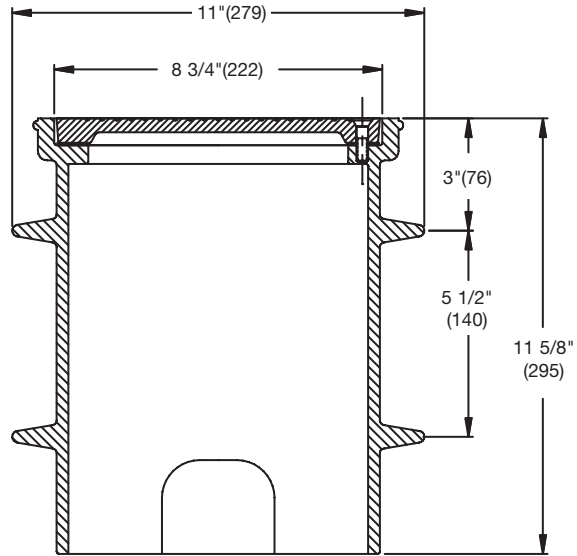


# Access Housings

## CO-300-MF Extra Heavy Duty Access Housing

Model Number	EDP#	Wt., Lbs.	Cover	List Price
CO-302-MF	8134049	35	ductile iron	\$1,856.00

Note: Use CO-380 cleanout if required.



### Options for CO-300-MF

Suffix	Description	List Price
-6	Vandal Proof	\$129.00
-13	All Galvanized	1,033.00

## CO-600-R Isolation Cleanout

Model Number	Wt., Lbs.	Pipe Size	Cover	List Price
CO-602-R	25	2" (51)	nickel bronze	\$2,334.00
CO-603-R	25	3" (76)	nickel bronze	2,334.00
CO-604-R	26	4" (102)	nickel bronze	2,334.00
CO-606-R	28	6" (152)	nickel bronze	2,499.00

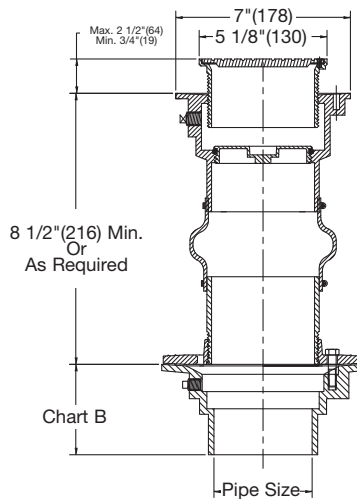


Chart A			
Pipe Size	NH	Push-On	PVC/ABS
2"	4-3/4"	5-1/2"	4"
3"	4-3/4"	5-1/2"	4"
4"	4-3/4"	5-1/2"	4"

### Options for CO-600

Suffix	Description	List Price	Suffix	Description	List Price
None	No Hub Outlet	No Add	-6	Vandal Proof	\$117.00
P	Push-On Outlet	No Add	-13	Galvanized Body	532.00
-X	Inside Caulk	No Add	-60	PVC Body w/Poly Plug	No Add
-C	Membrane Clamp	\$143.50	-61	ABS Body w/Poly Plug	No Add
-CF	Carpet Clamping Flange	380.50			

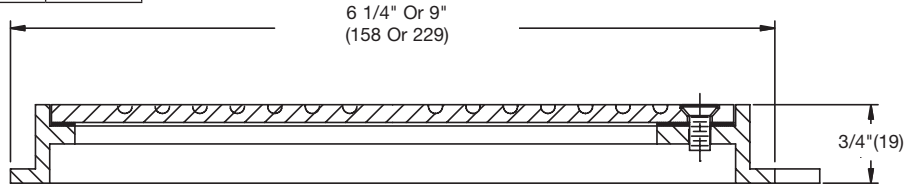


Consult factory for all pricing and applications outside of listed parameters.  
Prices do not include applicable taxes.

# Access Covers

## CO-300-R Round Serrated Access Cover

Model Number	EDP#	Wt., Lbs.	Pipe Size	Cover	List Price
CO-300-R6	8134055	5	6-1/4"	nickel bronze	\$467.50
CO-300-R9	8100586	10	9"	nickel bronze	1,180.00

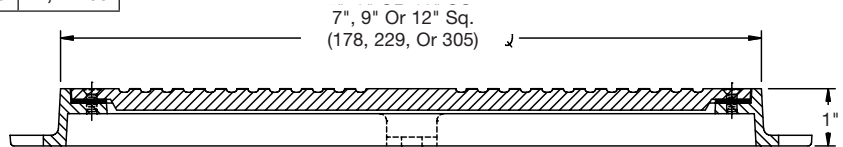


### Options for CO-300-R Series:

Suffix	Description	List Price
-6	Vandal Proof	\$129.00

## CO-300-S Square Serrated Access Cover

Model Number	EDP#	Wt., Lbs.	Pipe Size	Cover	List Price
CO-300-S7	8134075	5	7"x7"	nickel bronze	\$806.50
CO-300-S8-9	8188398	9	8"x8"	nickel bronze	1,107.00
CO-300-S9	8134081	10	9"x9"	nickel bronze	1,184.00
CO-300-S12	8134067	13	12"x12"	nickel bronze	1,277.00



### Options for CO-300-S Series:

Suffix	Description	List Price
-6	Vandal Proof	\$129.00

Consult factory for all pricing and applications outside of listed parameters.

Prices do not include applicable taxes.

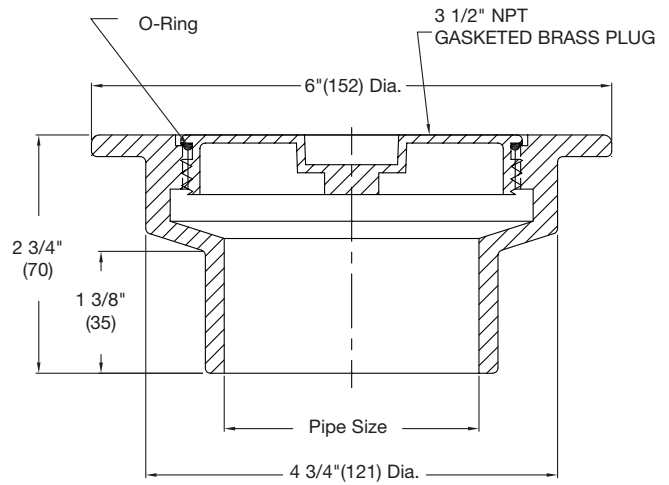


# General Purpose Floor Cleanouts

**CO-380**

**Cleanout Ferrule with Brass Plug**

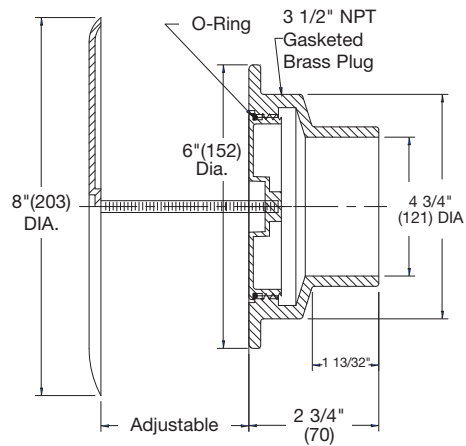
Model Number	EDP#	Wt., Lbs.	Pipe Size	List Price
CO-382	8185255	2	2"	\$130.50
CO-383	8185014	4	3"	199.00
CO-384	8185015	5	4"	275.50
CO-386	8185016	8	6"	562.00



**CO-380-RD**

**Wall Cleanout Ferrule with Stainless Steel Cover**

Model Number	EDP#	Wt., Lbs.	Pipe Size	Cover Size	List Price
CO-382-RD	8186182	3	2"	8"	\$310.50
CO-383-RD	8186180	5	3"	8"	382.00
CO-384-RD	8186181	6	4"	8"	459.00
CO-386-RD	8186183	9	6"	8"	1,018.00

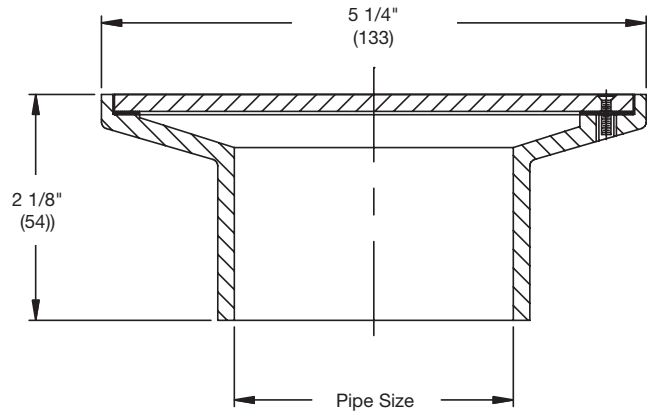


# General Purpose Floor Cleanouts

## CO-390-E

## General Purpose Floor Cleanout

Model Number	EDP#	Wt., Lbs.	Pipe Size	Cover	List Price
CO-392, 3, 4-E	8133715	4	2, 3, 4"	ductile iron	\$285.50
CO-392, 3, 4-E-1	8133713	4	2, 3, 4"	nickel bronze	378.00



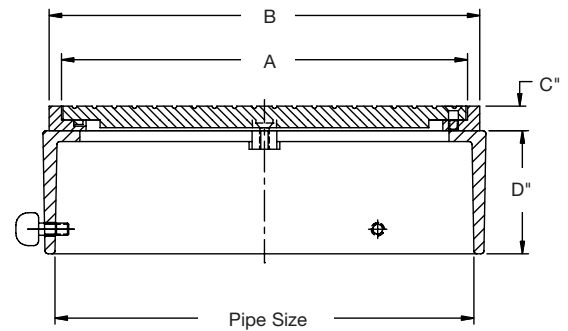
### Options for CO-390-E:

Suffix	Description	List Price
-6	Vandal Proof	\$129.00
-60	PVC Body w/Socket Outlet	No Add
-61	ABS Body w/Socket Outlet	No Add

## CO-410

## Floor Access Housing

Model Number	EDP#	Wt., Lbs.	Pipe Size	Cover	List Price
CO-413, 4	8152171	5	3, 4"	ductile iron	\$565.50
CO-413, 4-1	8152170	5	3, 4"	nickel bronze	745.50
CO-416	8152175	9	6"	ductile iron	776.00
CO-416-1	8152174	9	6"	nickel bronze	994.00



Dimensions in Inches

Model Number	Pipe Size	A	B	C	D
CO-413	3	5	5-1/4	3/8	2-5/8
CO-414	4	7	7-1/4	1/2	2-3/4
CO-416	6	8-3/4	9	1/2	3

### Options for CO-410:

Suffix	Description	List Price
-6	Vandal Proof	\$129.00

Consult factory for all pricing and applications outside of listed parameters.

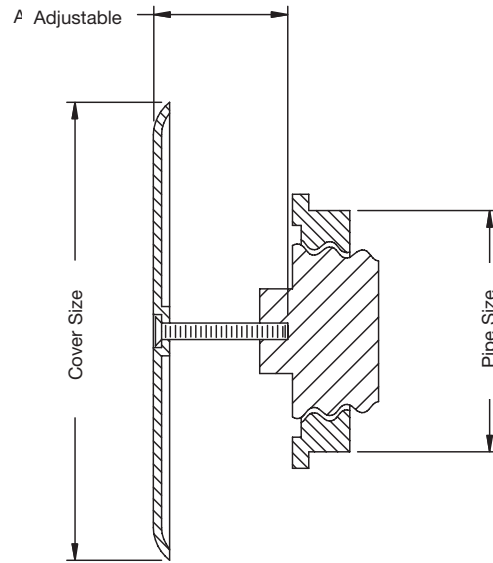
Prices do not include applicable taxes.



# Wall Cleanouts

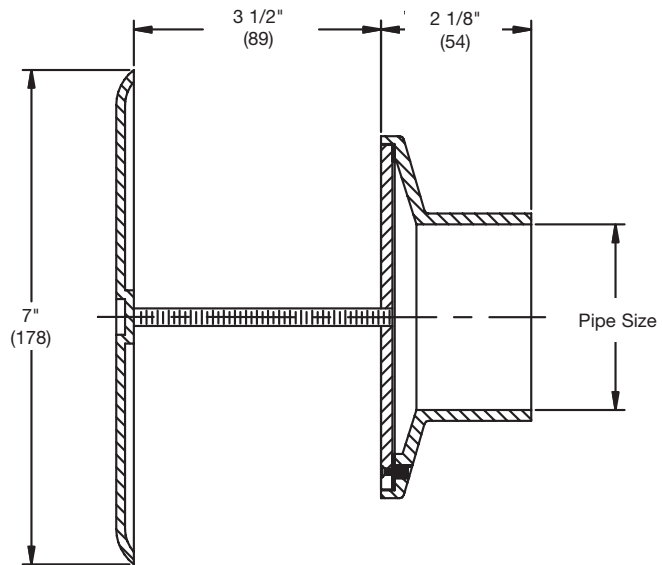
## CO-440-RD Series Poly Wall Cleanout with Stainless Steel Cover

Model Number	EDP#	Wt., Lbs.	Pipe Size	Cover Size	List Price
CO-441.5-RD	8185247	2	1-1/2"	5"	\$247.00
CO-442-RD	8185248	2	2"	5"	260.50
CO-443-RD	8185249	2	3"	7"	318.00
CO-444-RD	8185262	2	4"	7"	420.50



## CO-450-RD Line Cleanout with Stainless Steel Cover

Model Number	EDP#	Wt., Lbs.	Pipe Size	List Price
CO-452-RD	8185219	5	2"	\$318.00
CO-453-RD	8185220	5	3"	391.50
CO-454-RD	8185221	5	4"	462.00



### Options for CO-450-RD

Suffix	Description	List Price
-60	PVC Body w/Socket Outlet	No Add
-61	ABS Body w/Socket Outlet	No Add

# Wall Cleanouts

**CO-460**

**Stack Cleanout with Brass Plug**

Model Number	EDP#	Wt., Lbs.	Pipe Size	List Price
CO-462	8134183	8	2"	\$305.50
CO-463	8134190	15	3"	380.00
CO-464	8134196	17	4"	589.50

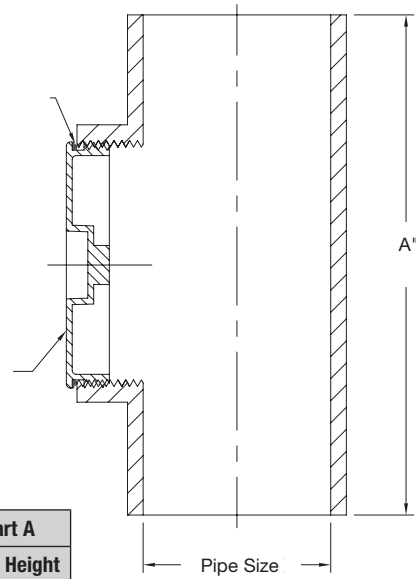


Chart A	
Size	Height
2"	6-1/4"
3"	7-3/4"
4"	9"

**CO-460-RD**

**Stack Cleanout with Brass Plug & Stainless Steel Cover**

Model Number	EDP#	Wt., Lbs.	Pipe Size	Cover	List Price
CO-462-RD	8185222	9	2"	stainless steel	\$487.00
CO-463-RD	8134193	16	3"	stainless steel	557.50
CO-464-RD	8134199	18	4"	stainless steel	816.50

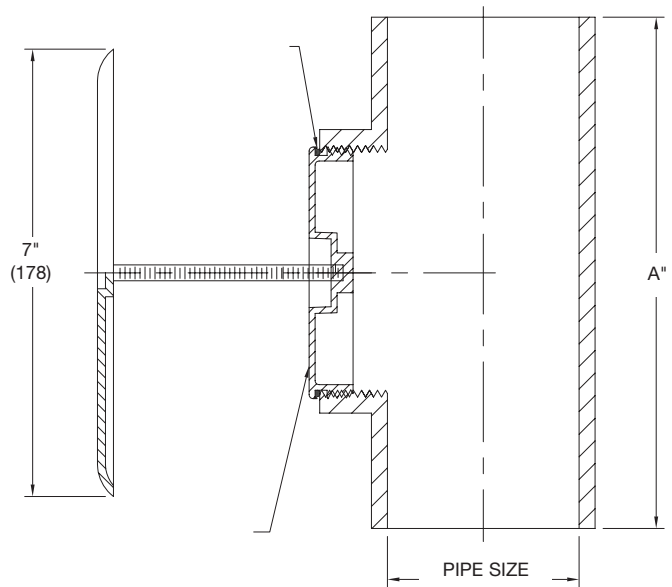


Chart A	
Size	Height
2"	6-1/4"
3"	7-3/4"
4"	9"

Consult factory for all pricing and applications outside of listed parameters.

Prices do not include applicable taxes.

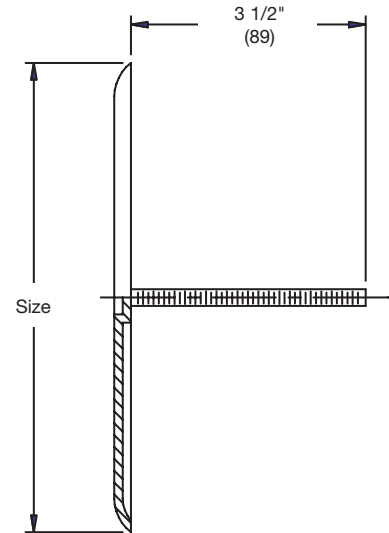




# Wall Cleanouts

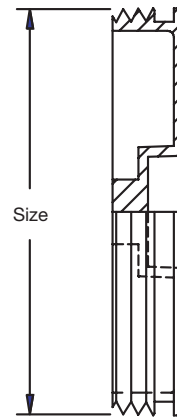
## CO-480-RD Stainless Steel Access Cover with Screw

Model Number	EDP#	Wt., Lbs.	Pipe Size	List Price
CO-480-RD5	8134232	1	5"	\$180.00
CO-480-RD6	8134234	1	6"	180.00
CO-480-RD7	8134236	1	7"	228.00
CO-480-RD8	8134238	1	8"	401.50
CO-480-RD10	8134228	1	10"	634.00



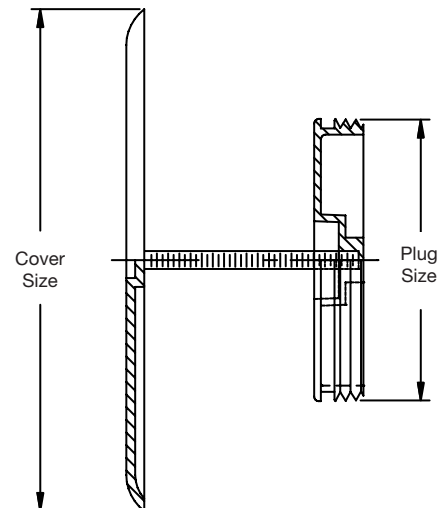
## CO-590 Brass Cleanout Plug

Model Number	EDP#	Wt., Lbs.	Size	List Price
CO-591.5	8185019	1/2	1-1/2"	\$62.25
CO-592	8134262	3/4	2"	74.00
CO-593	8134269	1	3"	130.50
CO-594	8134279	1-1/2	4"	224.50
CO-595	8134284	1-1/2	5"	347.50
CO-596	8185020	3	6"	467.50



## CO-590-RD Wall Cleanout with Brass Plug, Stainless Steel Cover

Model Number	EDP#	Wt., Lbs.	Pipe Size	Cover Size	List Price
CO-591.5-RD	8185225	1	1-1/2"	5"	\$247.00
CO-592-RD	8134264	1-1/4	2"	5"	252.00
CO-593-RD	8134270	1-1/2	3"	7"	310.50
CO-594-RD	8134280	2	4"	7"	410.50
CO-595-RD	8185229	2	5"	8"	572.50
CO-596-Rd	8185230	3-1/2	6"	8"	881.50

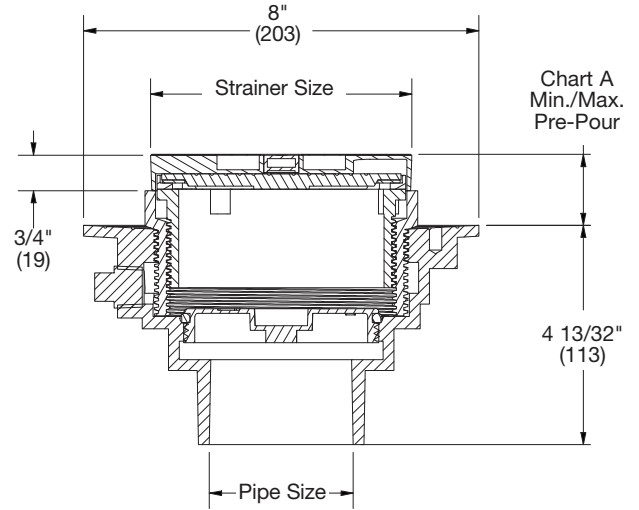


# Stainless Steel Top Floor Cleanouts

CO-1190-PR

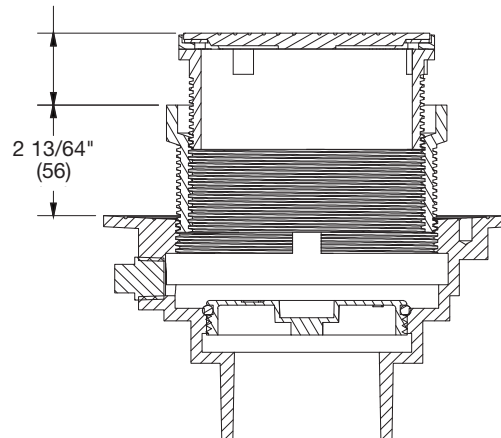
Pronto!® Cast Iron Adjustable Cleanout with Integrated Level

Model Number	Wt., Lbs.	Pipe Size	Cover Size	Cover	List Price
CO-1192-PR5	14	2"(51)	5"(127)	stainless steel	\$1,502.00
CO-1192-PR6	16	2"(51)	6"(152)	stainless steel	1,534.00
CO-1193-PR5	14	3"(76)	5"(127)	stainless steel	1,534.00
CO-1193-PR6	16	3"(76)	6"(152)	stainless steel	1,601.00
CO-1194-PR5	14	4"(102)	5"(127)	stainless steel	1,668.00
CO-1194-PR6	16	4"(102)	6"(152)	stainless steel	1,732.00
CO-1192P-PR5	13	2"(51)	5"(127)	stainless steel	1,502.00
CO-1192P-PR6	15	2"(51)	6"(152)	stainless steel	1,534.00
CO-1193P-PR5	13	3"(76)	5"(127)	stainless steel	1,534.00
CO-1193P-PR6	15	3"(76)	6"(152)	stainless steel	1,601.00
CO-1194P-PR5	13	4"(102)	5"(127)	stainless steel	1,668.00
CO-1194P-PR6	15	4"(102)	6"(152)	stainless steel	1,732.00



**PATENTED**

0-1" Adj. Post-Pour



Patent No. USD897503 and Patents Pending

Chart A

Cover Size	Min.	Max.	Load Rating
5"(127)	1 7/16"(37)	2 15/16"(75)	MD
6"(152)	1 7/16"(37)	2 15/16"(75)	LD

Chart B

Pipe Size	Std. No Hub	P Push On
2"(51)	4 7/16"(113)	4 7/8"(124)
3"(76)	4 7/16"(113)	4 7/8"(124)
4"(102)	4 7/16"(113)	4 7/8"(124)

### Options for CO-1190-PR:

Suffix	Description	List Price
-C	SS Membrane Clamp	\$311.50

Consult factory for all pricing and applications outside of listed parameters.

Prices do not include applicable taxes.

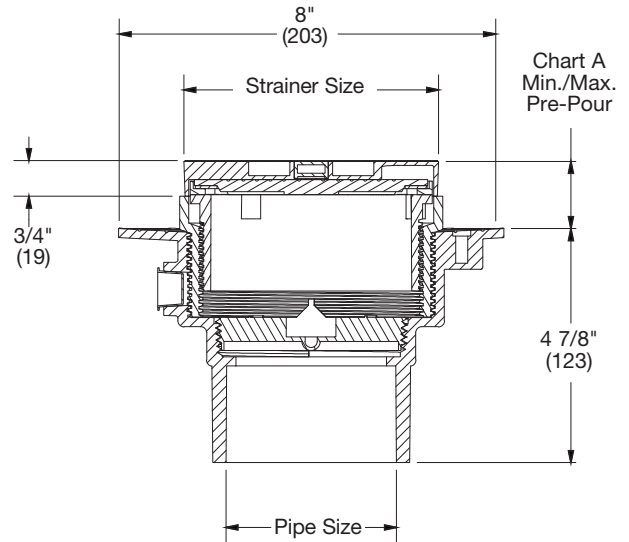


# Stainless Steel Top Floor Cleanouts

CO-1190-PR-60

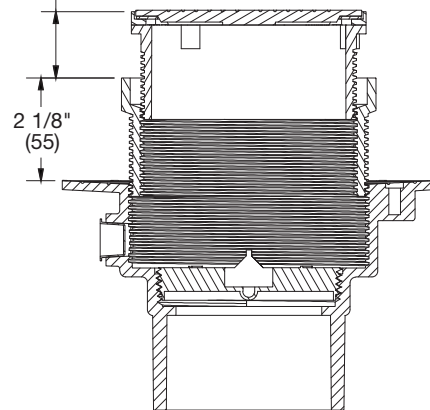
Pronto!® PVC Adjustable Cleanout with Integrated Level

Model Number	Wt., Lbs.	Pipe Size	Cover Size	Cover	List Price
CO-1192-PR5-60	5	2"(51)	5"(127)	stainless steel	\$1,101.00
CO-1192-PR6-60	6	2"(51)	6"(152)	stainless steel	1,134.00
CO-1193-PR5-60	5	3"(76)	5"(127)	stainless steel	1,134.00
CO-1193-PR6-60	6	3"(76)	6"(152)	stainless steel	1,201.00
CO-1194-PR5-60	5	4"(102)	5"(127)	stainless steel	1,333.00
CO-1194-PR6-60	6	4"(102)	6"(152)	stainless steel	1,333.00
CO-1192N-PR5-60	4	2"(51)	5"(127)	stainless steel	1,101.00
CO-1192N-PR6-60	5	2"(51)	6"(152)	stainless steel	1,134.00
CO-1193N-PR5-60	4	3"(76)	5"(127)	stainless steel	1,134.00
CO-1193N-PR6-60	5	3"(76)	6"(152)	stainless steel	1,201.00
CO-1194N-PR5-60	4	4"(102)	5"(127)	stainless steel	1,333.00
CO-1194N-PR6-60	5	4"(102)	6"(152)	stainless steel	1,396.00



**PATENTED**

0-1" Adj. Post-Pour



Patent No. USD897503 and Patents Pending

Chart A			
Cover Size	Min.	Max.	Load Rating
5"(127)	1 7/16"(37)	2 15/16"(75)	MD
6"(152)	1 7/16"(37)	2 15/16"(75)	LD

Chart B		
Pipe Size	Std. 60 PVC	No Hub
2"(51)	4 1/4"(108)	4 3/4"(121)
3"(76)	4 1/4"(108)	4 3/4"(121)
4"(102)	4 1/4"(108)	4 3/4"(121)

## Options for CO-1190-PR-60:

Suffix	Description	List Price
-C	SS Membrane Clamp	\$311.50



Consult factory for all pricing and applications outside of listed parameters. Prices do not include applicable taxes.

# Stainless Steel Top Floor Cleanouts

**CO-1200-R**

**Floor Cleanout with Round Stainless Steel Top**



Model Number	Wt., Lbs.	Pipe Size	Cover	List Price
CO-1202-R	11	2"	stainless steel	\$1,117.00
CO-1203-R	11	3"	stainless steel	1,165.00
CO-1204-R	11	4"	stainless steel	1,459.00

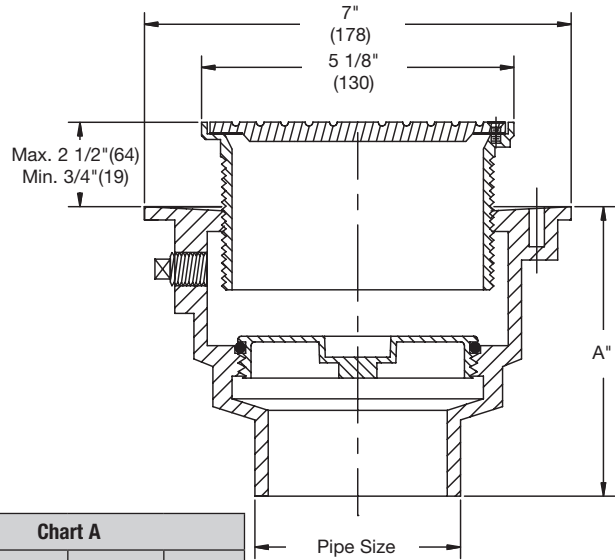


Chart A			
Pipe Size	NH	Push-On	PVC/ABS
2"	4-3/4"	5-1/2"	4"
3"	4-3/4"	5-1/2"	4"
4"	4-3/4"	5-1/2"	4"

**CO-1200-RX**

**Floor Cleanout with Heavy Duty Round Stainless Steel Top**



Model Number	Wt., Lbs.	Pipe Size	Cover	List Price
CO-1202-RX	12	2"	stainless steel	\$1,323.00
CO-1203-RX	12	3"	stainless steel	1,372.00
CO-1204-RX	12	4"	stainless steel	1,665.00

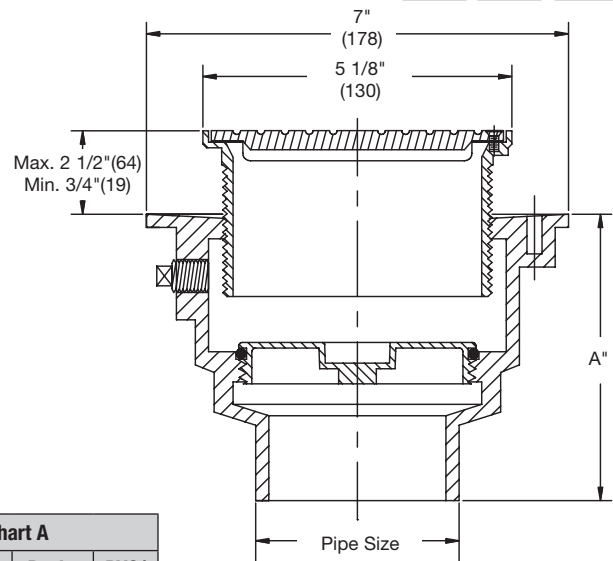


Chart A			
Pipe Size	NH	Push-On	PVC/ABS
2"	4-3/4"	5-1/2"	4"
3"	4-3/4"	5-1/2"	4"
4"	4-3/4"	5-1/2"	4"

**Options for CO-1200:**

Suffix	Description	List Price	Suffix	Description	List Price
None	No Hub Outlet	No Add	-6	Vandal Proof	\$129.00
P	Push-On Outlet	No Add	-13	Galvanized Body	293.00
-X	Inside Caulk	No Add	-28	304 SS Body & Plug	1,220.00
-C	Membrane Clamp	\$143.50	-60	PVC Body w/Poly Plug	No Add
			-61	ABS Body & Poly Plug	No Add

Consult factory for all pricing and applications outside of listed parameters.

Prices do not include applicable taxes.



# Stainless Steel Top Floor Cleanouts

## CO-1200-S

### Floor Cleanout with Square Stainless Steel Top

Model Number	Wt., Lbs.	Pipe Size	Cover	List Price
CO-1202-S	11	2"	stainless steel	\$1,117.00
CO-1203-S	11	3"	stainless steel	1,165.00
CO-1204-S	11	4"	stainless steel	1,459.00

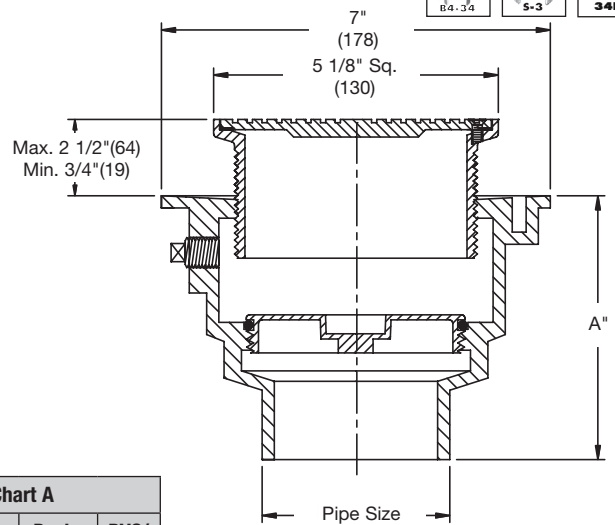


Chart A			
Pipe Size	NH	Push-On	PVC/ABS
2"	4-3/4"	5-1/2"	4"
3"	4-3/4"	5-1/2"	4"
4"	4-3/4"	5-1/2"	4"

## CO-1200-SX

### Floor Cleanout with Heavy Duty Square Stainless Steel Top

Model Number	Wt., Lbs.	Pipe Size	Cover	List Price
CO-1202-SX	12	2"	stainless steel	\$1,323.00
CO-1203-SX	12	3"	stainless steel	1,372.00
CO-1204-SX	12	4"	stainless steel	1,665.00

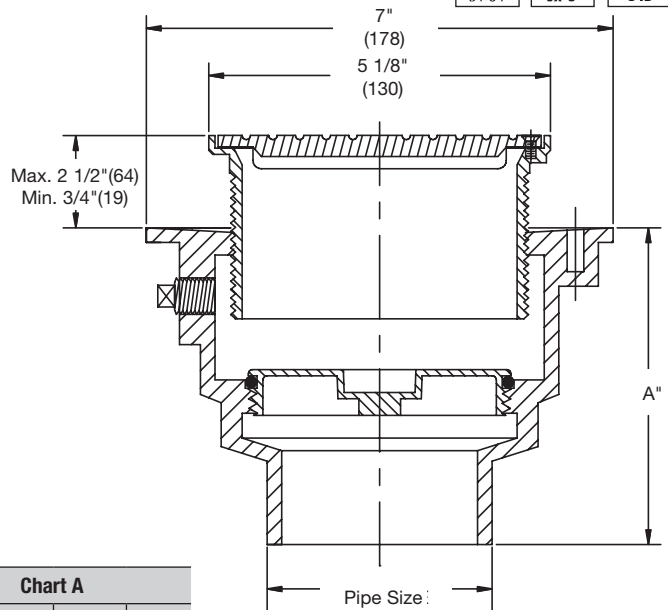


Chart A			
Pipe Size	NH	Push-On	PVC/ABS
2"	4-3/4"	5-1/2"	4"
3"	4-3/4"	5-1/2"	4"
4"	4-3/4"	5-1/2"	4"

### Options for CO-1200

Suffix	Description	List Price	Suffix	Description	List Price
None	No Hub Outlet	No Add	-6	Vandal Proof	\$129.00
P	Push-On Outlet	No Add	-13	Galvanized Body	293.00
-X	Inside Caulk	No Add	-28	304 SS Body & Plug	1,220.00
-C	Membrane Clamp	\$143.50	-60	PVC Body w/Poly Plug	No Add
			-61	ABS Body & Poly Plug	No Add

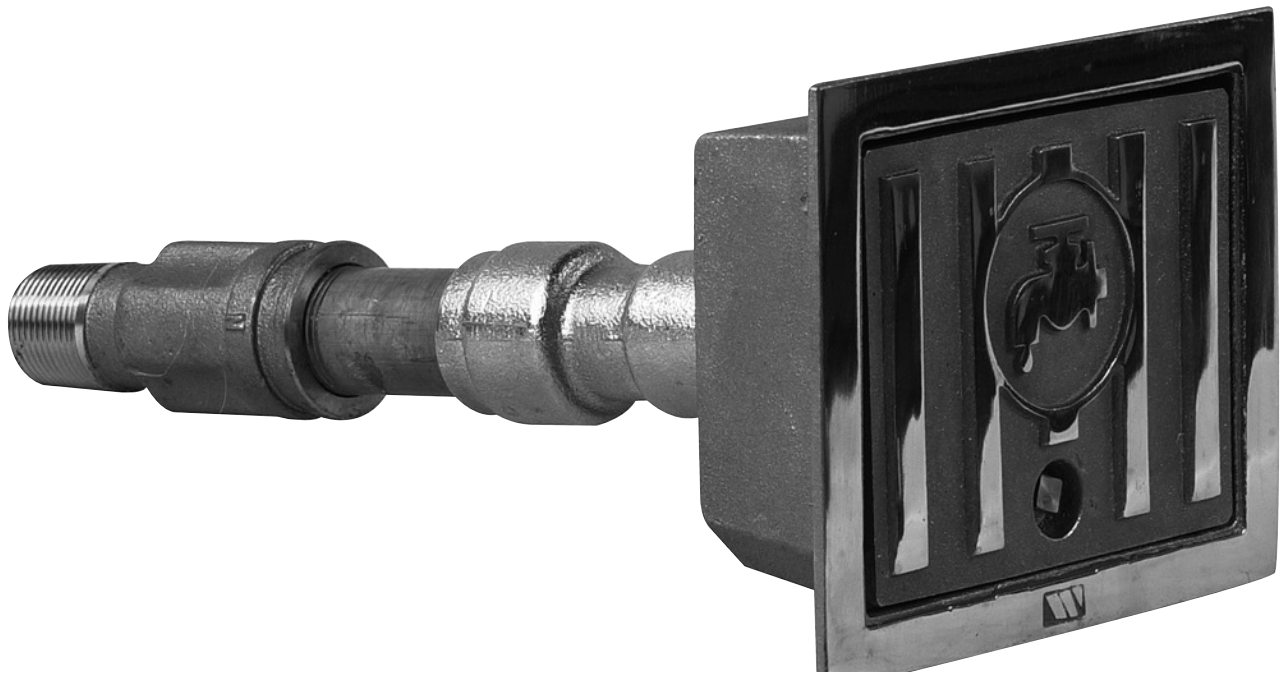


Consult factory for all pricing and applications outside of listed parameters.  
Prices do not include applicable taxes.

# Hydrants

## Table Of Contents

- Pictorial Index
- Product Recommendations
- Standard Specifications
- Hydrant Selection Factors
- Typical Installations

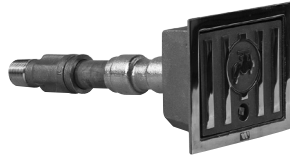


# Hydrants

## Pictorial Index



**HY-420**  
Non-Freeze Wall Hydrant  
w/Integral Vacuum Breaker



**HY-725**  
Non-Freeze Wall Hydrant w/NB  
Box, Integral Vacuum Breaker



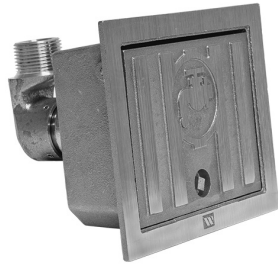
**HY-430**  
Moderate Climate



**HY-330**  
Moderate Climate w/Box



**HY-440**  
Moderate Climate Narrow  
Wall Hydrant



**HY-450**  
Moderate Climate Narrow  
Wall Hydrant w/ NB Box



**HY-500**  
Deck Hydrant w/Box



**HY-600**  
Post Hydrant



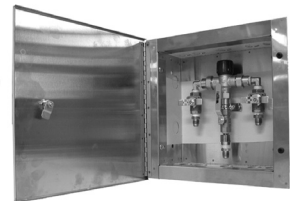
**HY-700**  
Dual-Temp



**HY-800**  
Non-Freeze Yard Hydrant



**HY-900**  
Non-Freeze Roof Hydrant



**FS-890**  
Water Supply Control Box

# Hydrants

## Recommendations

Application	Product
Exterior Wall Non-Freeze	HY-420, HY-725
Exterior Wall Moderate Climate	HY-430, HY-330
Hot & Cold	HY-700
Interior Wall	HY-440, HY-450
Outdoor Deck	HY-500
Outdoor Post	HY-600, HY-800
Roof	HY-900

## Standard Specifications

Watts standard hydrants are key operated, with a 3/4" hose connection, chrome plated face, and all bronze head, wall casing, seat casting, and internal working parts. The piping connection is dual threaded 3/4" male, 1" female. Non-freeze and moderate climate wall hydrants are furnished with a built-in vacuum breaker, which relieves negative pressure in the water supply piping, preventing back siphonage.

## Hydrant Selection Factors

### Flow rate

Standard 3/4" hydrants discharge approximately 10 GPM under normal operating conditions. Actual flow rates are dependent upon connection sizes and operating pressures.

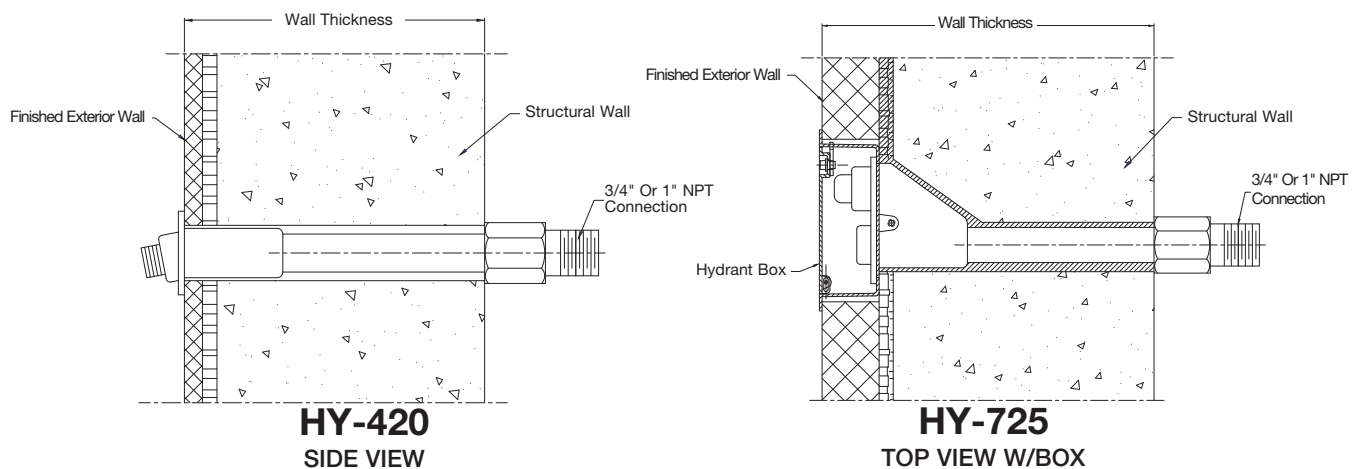
### Non-freeze (frost-proof)

Non-freeze hydrants drain automatically when the water is turned off, preventing freezing, and potential damage to the hydrant or piping system.

### Operating range

Watts hydrants are designed to operate within a pressure range of 8 PSI to 125 PSI, and a temperature range of 33°F to 140°F.

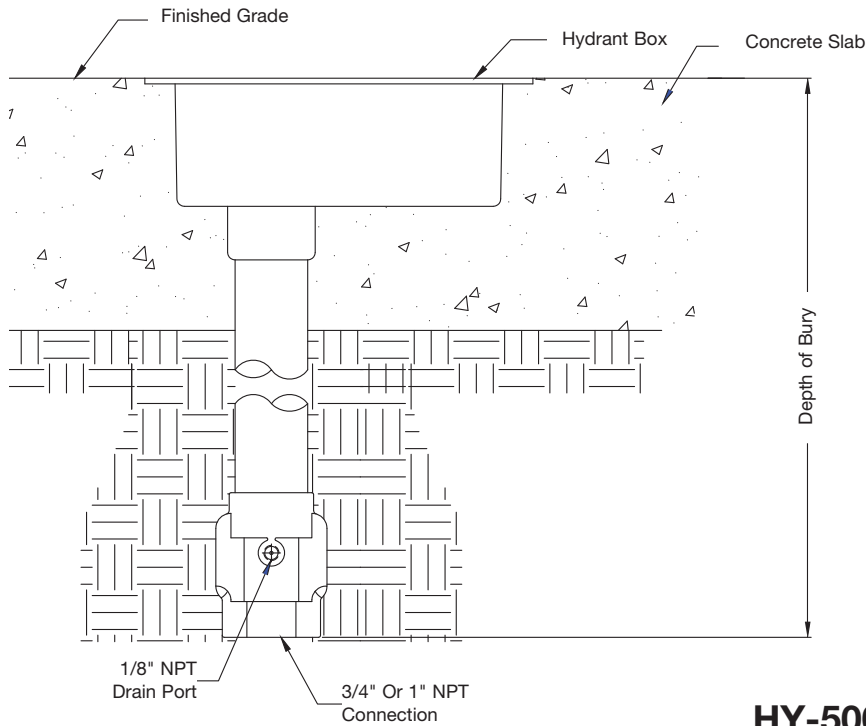
## Typical Installations



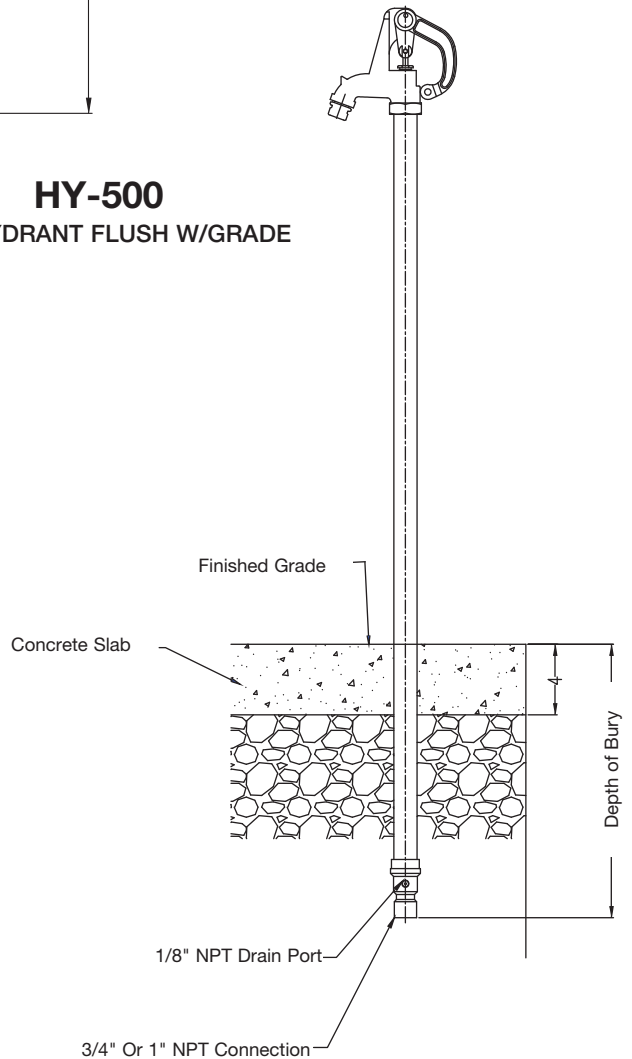


# Hydrants

## Typical Installations



**HY-500**  
BOX HYDRANT FLUSH W/GRADE



**HY-800**  
POST HYDRANT



Consult factory for all pricing and applications outside of listed parameters.  
Prices do not include applicable taxes.

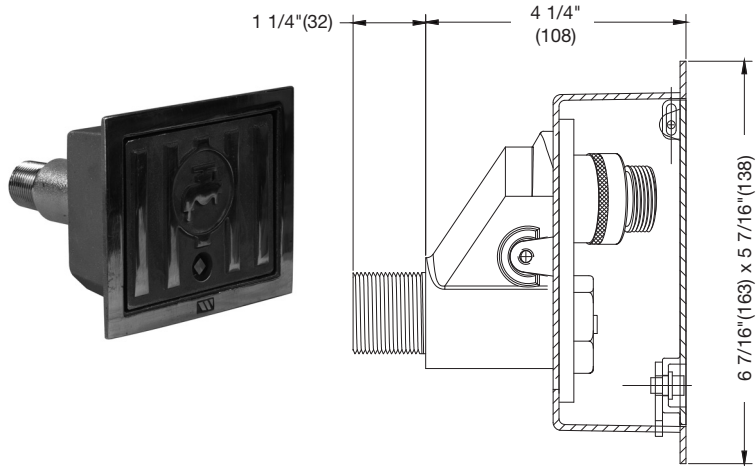
# Wall Hydrants

**HY-330**

**Moderate Climate Wall Hydrant with NB Box, Integral Vacuum Breaker**

Model Number	Hose Conn.	List Price
HY-330	3/4"	\$1,799.00

EDP #	Description	List Price
8142413	HY-400-PVB Vacuum Breaker	\$364.00
8142272	HY-430-CIA Repair Kit	\$650.50



**Options for HY-330**

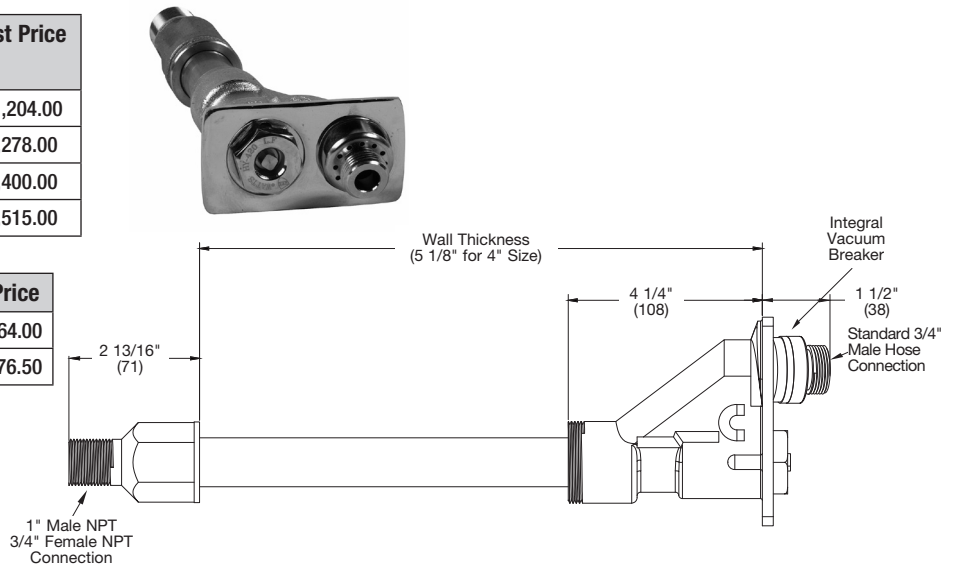
Suffix	Description	List Price
-K	Cylinder Lock	\$251.50
-3	Stainless Steel Box	No Add

**HY-420**

**Non-Freeze Wall Hydrant with Chrome Face, Integral Vacuum Breaker**

Model Number	Wt. Lbs.	Wall Thickness	List Price
HY-420-4, 6, 8	5	4, 6, 8"	\$1,204.00
HY-420-10, 12, 14	6	10, 12, 14"	1,278.00
HY-420-16, 18	7	16, 18"	1,400.00
HY-420-20, 22, 24	8	20, 22, 24"	1,515.00

EDP #	Description	List Price
8142413	HY-400-PVB Vacuum Breaker	\$364.00
8142406	HY-420-CIA Repair Kit	\$876.50

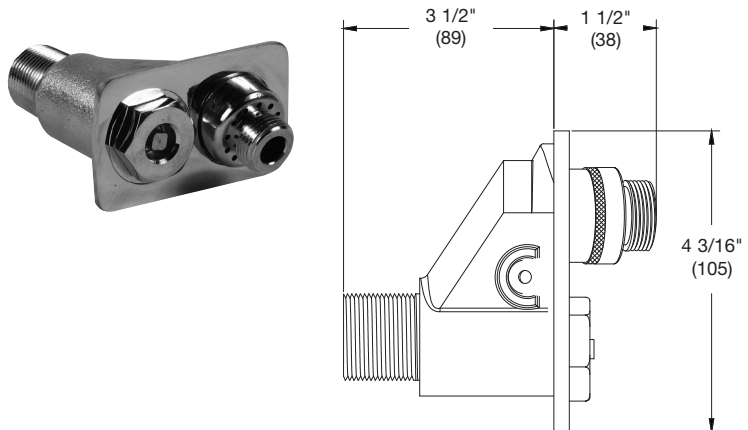


**HY-430**

**Moderate Climate Wall Hydrant with Chrome Face, Integral Vacuum Breaker**

Model Number	Hose Conn.	List Price
HY-430	3/4"	\$888.50

EDP #	Description	List Price
8142413	HY-400-PVB Vacuum Breaker	\$364.00
8142272	HY-430-CIA Repair Kit	\$650.50



Consult factory for all pricing and applications outside of listed parameters.

Prices do not include applicable taxes.



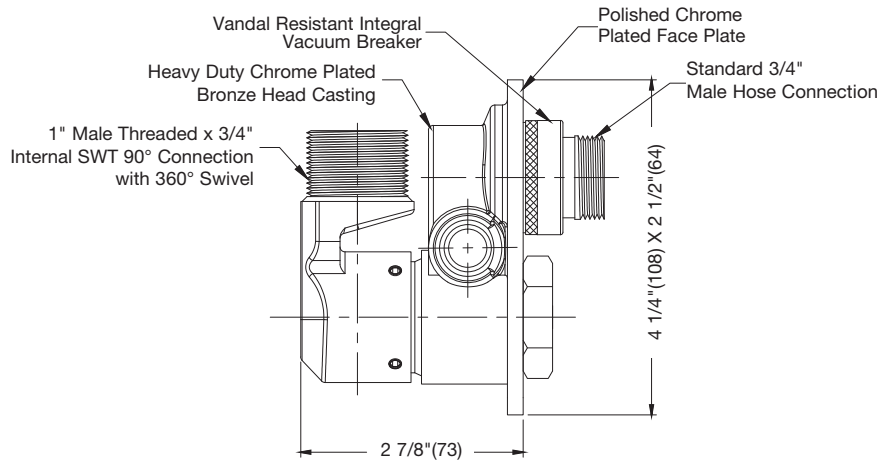
# Wall Hydrants

**HY-440**

**Moderate Climate Narrow Wall Hydrant**

Model Number	EDP#	Hose Conn.	List Price
HY-440	8187868	3/4"	\$888.50

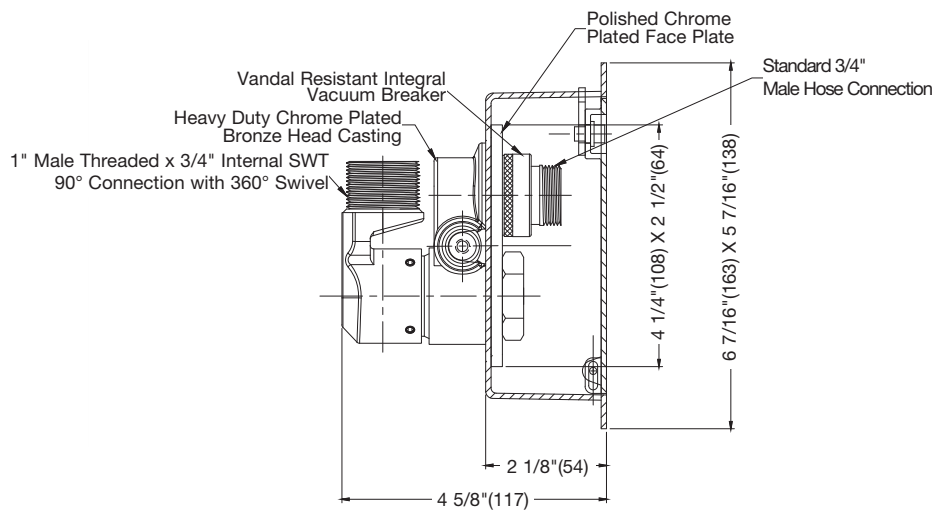
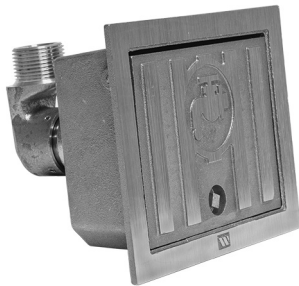
EDP #	Description	List Price
8142413	HY-400-PVB Vacuum Breaker	\$364.00
8188776	HY-440-CIA Repair Kit	\$650.50



**HY-450**

**Moderate Climate Narrow Wall Hydrant w/NB Box**

Model Number	Hose Conn.	List Price
HY-450	3/4"	\$1,799.00



### Options for HY-450

Suffix	Description	List Price
-K	Cylinder Lock	\$251.50
-R	Round Box For Tilt-Up Construction (Stainless Steel Only)	No Add
-3	Stainless Steel Box	No Add



Consult factory for all pricing and applications outside of listed parameters. Prices do not include applicable taxes.

# Ground Hydrants

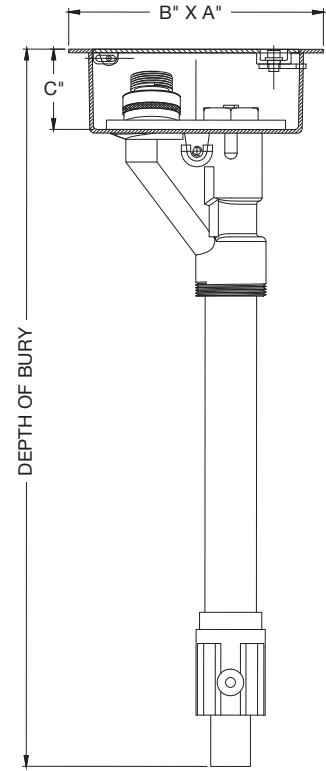
## HY-500

## Non-Freeze Deck Hydrant with NB Box

Model Number	Depth	Wt. Lbs.	3/4" Conn.	1" Conn.	1-1/4" Conn.	1-1/2" Conn.	2" Conn.
HY-502	2'	10	\$2,687.00	\$3,236.00	\$11,409.00	\$12,526.00	\$14,620.00
HY-503	3'	14	2,897.00	3,448.00	11,788.00	13,001.00	15,241.00
HY-504	4'	18	3,108.00	3,659.00	12,169.00	13,477.00	15,867.00
HY-505	5'	22	3,320.00	3,870.00	12,550.00	13,951.00	16,493.00
HY-506	6'	26	3,529.00	4,077.00	12,928.00	14,432.00	17,120.00
HY-508	8'	30	3,950.00	4,501.00	13,688.00	15,384.00	18,369.00

EDP #	Description	List Price
8142413	HY-400-PVB Vacuum Breaker	\$364.00
8188774	HY-500-RK (Repair Kit)	\$824.50

Conn. Size	A	B	C
3/4" & 1"	5-5/8"	6-7/8"	2-1/4"
1-1/4" to 2"	10-1/2"	10-1/2"	3-1/2"



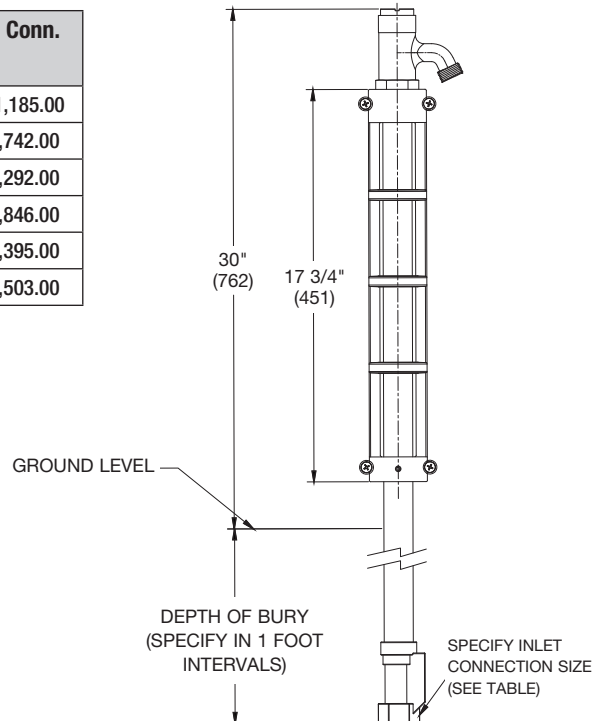
Note: Vacuum Breaker STD on 3/4" - 1"

## HY-600

## Non-Freeze Post Hydrant

Model Number	EDP#	Depth	3/4" Conn.	1" Conn.	1-1/4" Conn.	1-1/2" Conn.	2" Conn.
HY-600-2	8142543	2'	\$2,690.00	\$3,640.00	\$6,459.00	\$9,000.00	\$11,185.00
HY-600-3	8142550	3'	2,915.00	3,870.00	7,121.00	9,543.00	11,742.00
HY-600-4	8142558	4'	3,142.00	4,098.00	7,785.00	10,086.00	12,292.00
HY-600-5	8142565	5'	3,372.00	4,325.00	8,453.00	10,631.00	12,846.00
HY-600-6	8142574	6'	3,601.00	4,554.00	9,117.00	11,171.00	13,395.00
HY-600-8	8142588	8'	4,053.00	5,006.00	10,450.00	12,252.00	14,503.00

EDP #	Description	List Price
8154686	HY-600-CIA Repair Kit	\$1,312.00



Consult factory for all pricing and applications outside of listed parameters.

Prices do not include applicable taxes.

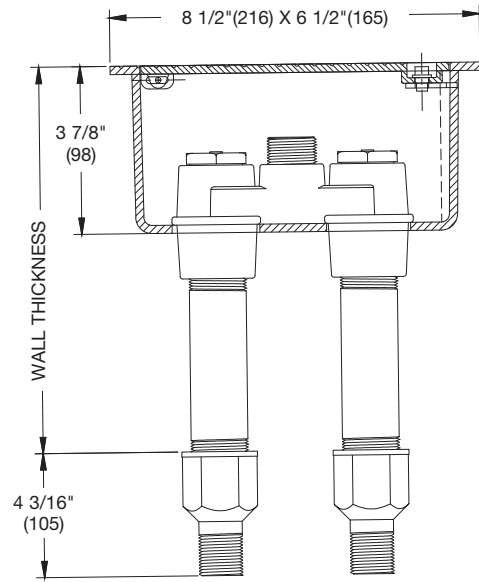


# Wall Hydrants

## HY-700

### Non-Freeze Dual-Temp Wall Hydrant with SS Box

Model Number	EDP#	Wt. Lbs.	Wall Thickness	1" Conn.	List Price
HY-700-6, 8	8142651	15	6", 8"	3/4"	\$5,153.00
HY-700-10, 12, 14	8142637	17	10, 12, 14"	3/4"	5,454.00
HY-700-16, 18	8185525	19	16, 18"	3/4"	5,760.00



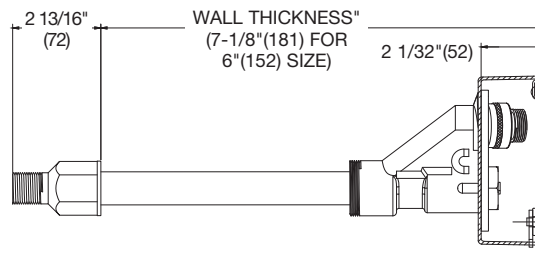
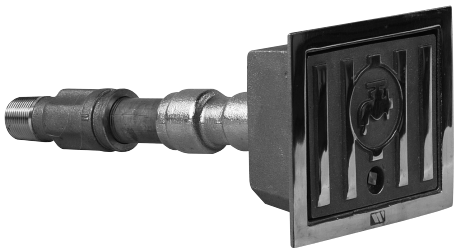
#### Options for HY-700

Suffix	Description	List Price
-K	Cylinder Lock	\$251.50
-LB	Less Box	-1,217.00
VB	Vacuum Breaker	185.00

## HY-725

### Non-Freeze Wall Hydrant with NB Box, Integral Vacuum Breaker

Model Number	Wt. Lbs.	Depth	Hose Conn.	List Price
HY-725-6, 8	7	6", 8"	3/4"	\$2,063.00
HY-725-10, 12, 14	8	10, 12, 14"	3/4"	2,253.00
HY-725-16, 18	9	16, 18"	3/4"	2,439.00
HY-725-20, 22, 24	10	20, 22, 24"	3/4"	2,502.00



STANDARD FINISH IS POLISHED NICKEL BRONZE

#### Options for HY-725

Suffix	Description	List Price
-K	Cylinder Lock	\$251.50
-R	Round Box For Tilt-Up Construction (Stainless Steel Only)	No Add
-3	Stainless Steel Box	No Add
-88	Wall Clamp	No Add



Consult factory for all pricing and applications outside of listed parameters. Prices do not include applicable taxes.

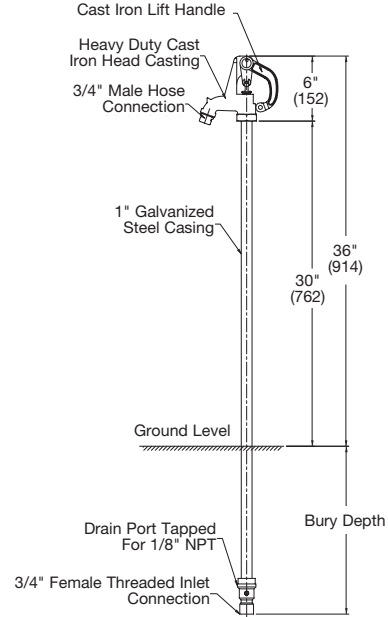
# Yard Hydrants

## HY-800

### Non-Freeze Yard Hydrant

Model Number	EDP#	Wt. Lbs.	Bury Depth	Hose Conn.	List Price
HY-800-1	8187807	13	1'	3/4"	\$1,467.00
HY-800-2	8187658	15	2'	3/4"	1,550.00
HY-800-3	8187659	19	3'	3/4"	1,632.00
HY-800-4	8187660	23	4'	3/4"	1,721.00
HY-800-5	8187661	27	5'	3/4"	1,799.00
HY-800-6	8187662	31	6'	3/4"	1,881.00

EDP #	Description	List Price
8188777	HY-800/900 Repair Kit	\$651.00

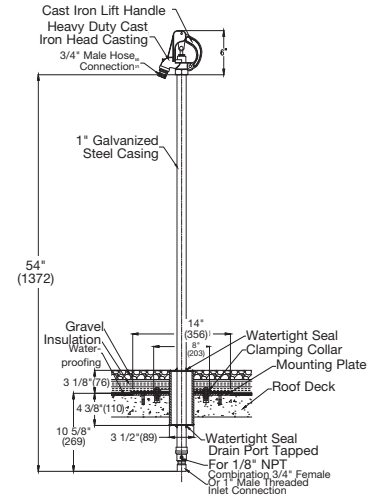


## HY-900

### Non-Freeze Roof Hydrant

Model Number	EDP#	Wt. Lbs.	Hose Conn.	List Price
HY-900	8188208	28	3/4"	\$4,211.00

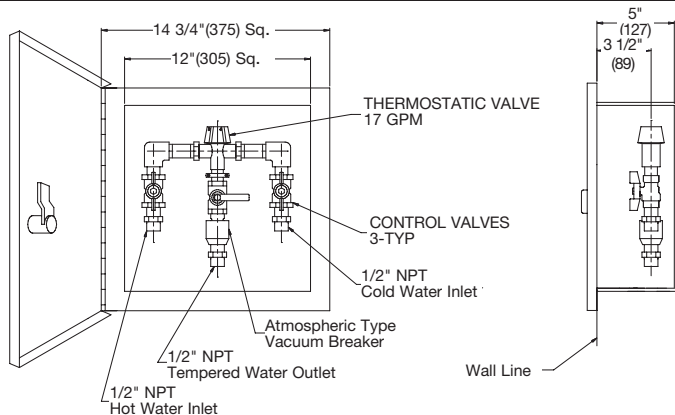
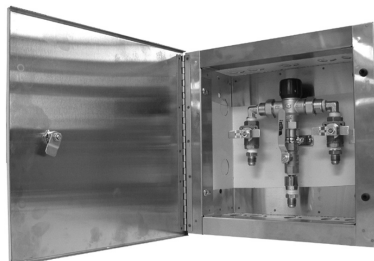
EDP#	Description	List Price
8188777	HY-800/900 Repair Kit	\$650.50



## FS-890

### Water Supply Control Box

Model Number	EDP#	Weight (lbs.)	Material	List Price
FS-890	8100741	15	stainless steel	\$7,110.00



Consult factory for all pricing and applications outside of listed parameters.

Prices do not include applicable taxes.



# Specialties

## Table Of Contents

- Pictorial Index
- Water Hammer Arrestors
  - Recommendations
  - Certification
  - Sizing & Placement
- Backwater Valves
  - Typical Installations
- Trap Primers
  - Compliance
  - Pressure & flow characteristics
  - Distribution unit
  - Typical installations
- Misc. Specialties



# Specialties

## Pictorial Index



**LF15M2-DR Series**  
Copper  
Water Hammer Arrestor



**SS Series**  
Stainless Steel  
Water Hammer Arrestor



**BV-200**  
Cast Iron In-Line  
Backwater Valve



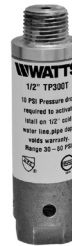
**BV-240**  
In-Line Backwater Valve  
With Access Housing



**BV-300**  
Ball Float Backwater  
Valve



**BV-600**  
Pit Drain With Backwater  
Valve



**LFFTP300-DR**  
Trap Primer & Distribution  
Unit



**MS-930**  
Trap Primer Adaptor



**MS-940-SS**  
Stainless Steel Trap  
Primer Adaptor



**MS-950**  
Funnel Trap Adaptor



**MS-8000**  
Fresh Air Inlet



**PS-Series**  
Plastic Pipe Sleeves

Consult factory for all pricing and applications outside of listed parameters.

Prices do not include applicable taxes.

**WATTS®**



# Specialties

## Water Hammer Arrestors

Watts water hammer arrestors prevent water hammer in piping systems, which is usually caused by sudden changes in flow velocity. Solenoid actuated and other types of quick closing valves create shock pressure in the line, which leads to water hammer (banging pipes). Properly installed arrestors will absorb the shock, eliminating noise and potential damage to the piping system.

### Certification

All Watts arrestors are Certified by the Plumbing & Drainage Institute (PDI), in accordance with Standard PDI-WH201.

### Sizing & Placement

The PDI fixture unit methodology takes into consideration probabilities for coincidental valve closings, in addition to pipe size and length, flow pressure, and velocity.

- 1) Calculate the number of fixture units (Table 1) on each hot and cold water line separately. Determine the total number of fixture units on a line by adding the unit values.
- 2) From Table 2, select the Watts arrestor with a fixture unit value rating equal to, or greater than, the total number of fixture units on the line.
- 3) For multiple fixture branch lines over 20' in length, the arrestor should be placed between the last two fixtures (Fig. A).
- 4) For multiple fixture branch lines over 20' in length, two arrestors should be used, with the second unit placed at the approximate midpoint of the line. The sum of the unit ratings for the two arrestors should be equal to, or greater than, the total fixture units for the line (Fig. B).

For long runs of piping terminating at a piece of equipment, the arrestor size should be determined from Table 3. The arrestor(s) should be located as near as possible to the closure valve (Fig. C).

**Note:** Sizing recommendations are based on an average flow velocity between 5 and 10 feet per second, and an operating pressure less than 65 PSI. For operating pressures over 65 PSI, use the next larger arrestor size. A pressure reducing valve is recommended for line pressures exceeding 85 PSI.

Calculation Example:  
 Cold water branch (less than 20')  
 2 water closets @ 10 fixture units ea. = 20 fixture units  
 2 lavatories @ 1-1/2 fixture units ea. = 3 fixture units  
 Total fixture units = 23  
 Select PDI Size B Water Hammer Arrestor

### Sizing & Placement

Fixture	Type Of Supply Control	Fixture Unit Weight			
		Public		Private	
		Cold	Hot	Cold	Hot
Water Closet	Flush Valve	10	-	6	-
Water Closet	Flush Tank	5	-	3	-
Pedestal Urinal	Flush Valve	10	-	-	-
Stall or Wall Urinal	Flush Valve	5	-	-	-
Stall or Wall Urinal	Flush Tank	3	-	-	-
Lavatory		1-1/2	1 1/2	1	1
Bathtub		2	3	1 1/2	1 1/2
Shower Head		2	-	1	2
Bathroom Group		-	-	8	3
Bathroom Group		-	-	6	3
Separate Shower		-	-	1	2
Service Sink		3	3	-	-
Laundry Tubs (1-3)		-	-	3	3
Combination Fixture		-	-	3	3

# Specialties

## Water Hammer Arrestors

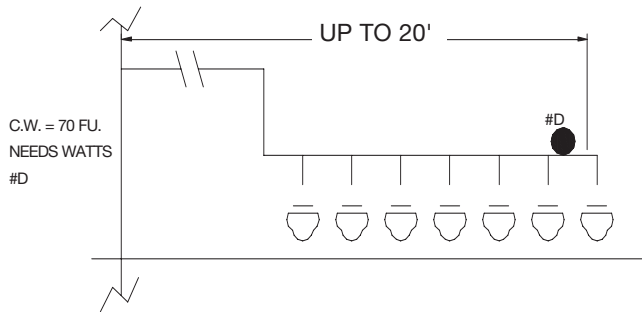
### Sizing & Placement

**Table 2**

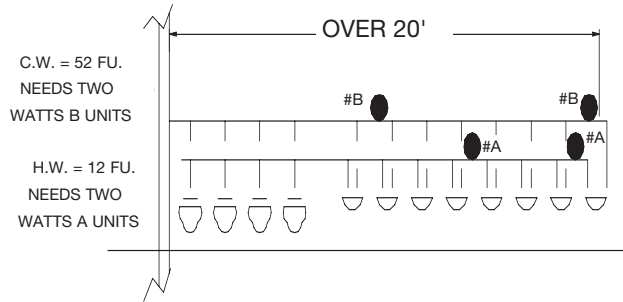
Fixture Unit Weight	1-11	12-32	33-60	61-113	114-154	155-330
PDI Symbol	A	B	C	D	E	F
Watts LF15M2-DR Series	LF15M2-A-DR	LF15M2-B-DR	LF15M2-D-DR	LF15M2-D-DR	LF15M2-E-DR	LF15M2-F-DR
Watts SS Series	SS-A	SS-B	SS-C	SS-D	SS-E	SS-F

**Table 3**

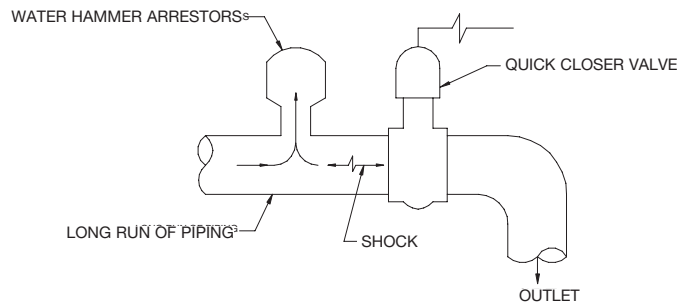
Length of Pipe	Nominal Pipe Size					
	1/2"	3/4"	1"	1-1/4"	1-1/2"	2"
25'	A	A	B	C	D	E
50'	A	C	C	D	E	F
75'	B	C	D	A + E	F	E + F
100'	C	D	E	F	C + F	2-F
125'	C	D	F	A + F	E + F	E + 2-F
150'	D	E	F	D + F	2-F	3-F



**Figure A**



**Figure B**



**Figure C**

Consult factory for all pricing and applications outside of listed parameters.

Prices do not include applicable taxes.



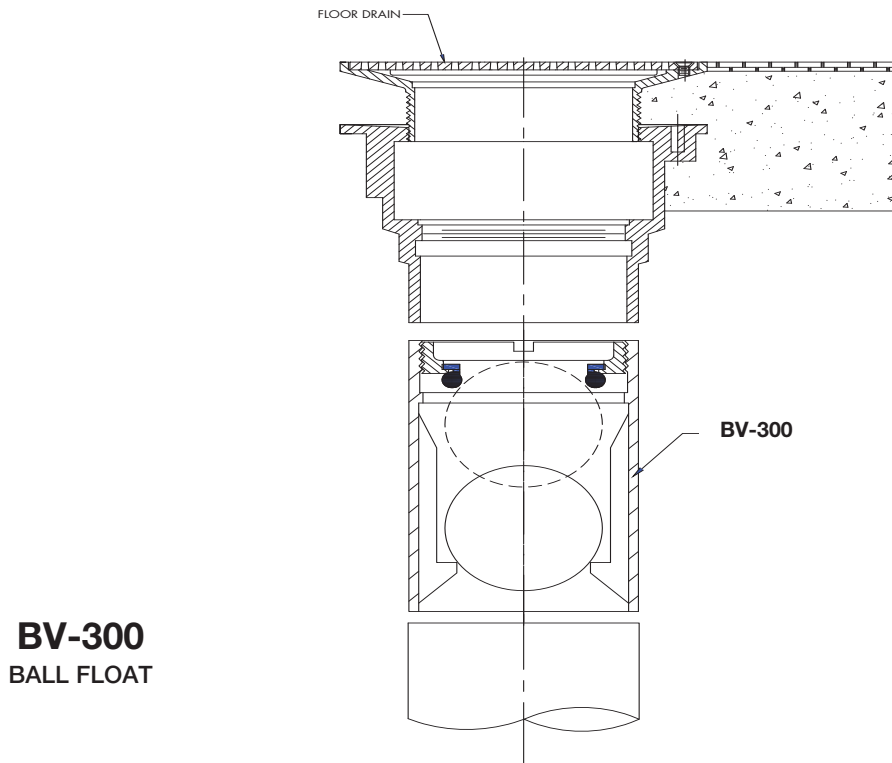
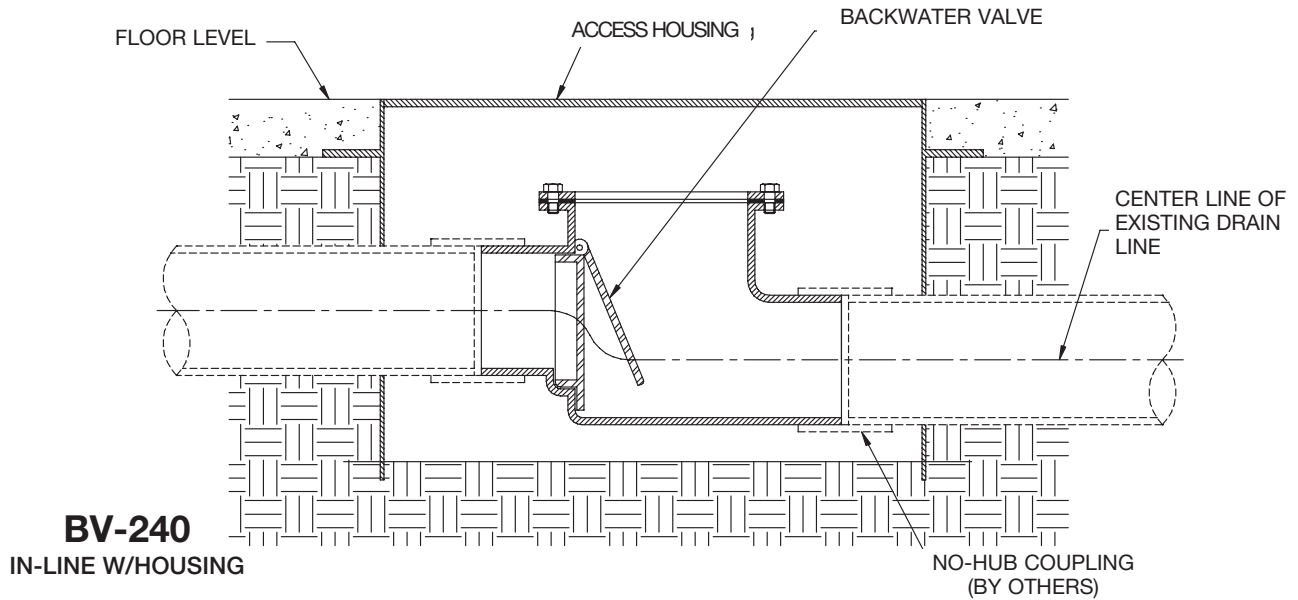
# Specialties

## Backwater Valves

Watts backwater valves should be specified for gravity flow only, and not used in pressurized applications.

Flapper type backwater valves are specified in gravity flow (non-pressure) applications to restrict backflow from excessive rainfall, tidewater, or other drainage conditions. The bronze flapper valve should be periodically inspected and kept free of debris or other obstruction to assure proper functioning.

## Typical Installations



# Specialties

## Trap Primers

### Compliance

Watts LFTP300-DR trap primers are tested and approved in conformance with ASSE Standard 1018.

### Pressure & Flow Characteristics

Minimum supply pressure: 25 PSI

Maximum supply pressure: 125 PSI

### FLOW CHART

INLET PRESSURE	25	50	75	100	125
*GPM	1.1	1.6	2.0	2.3	2.4
*LPM	4.2	6.1	7.6	8.7	9.1

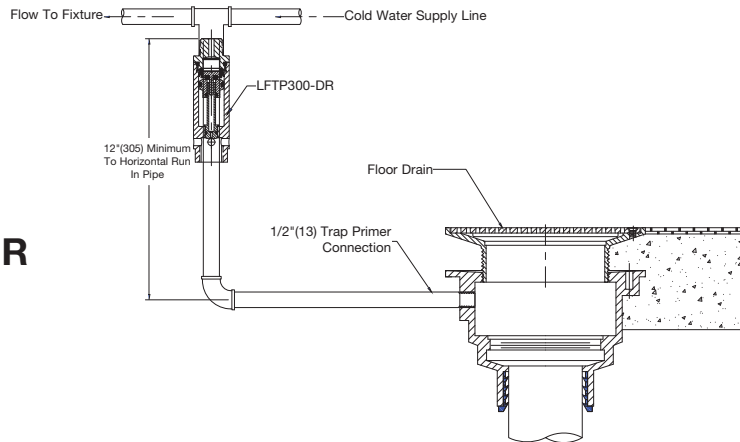
\* Minimum cold flow required for proper trap priming.

### Distribution Unit

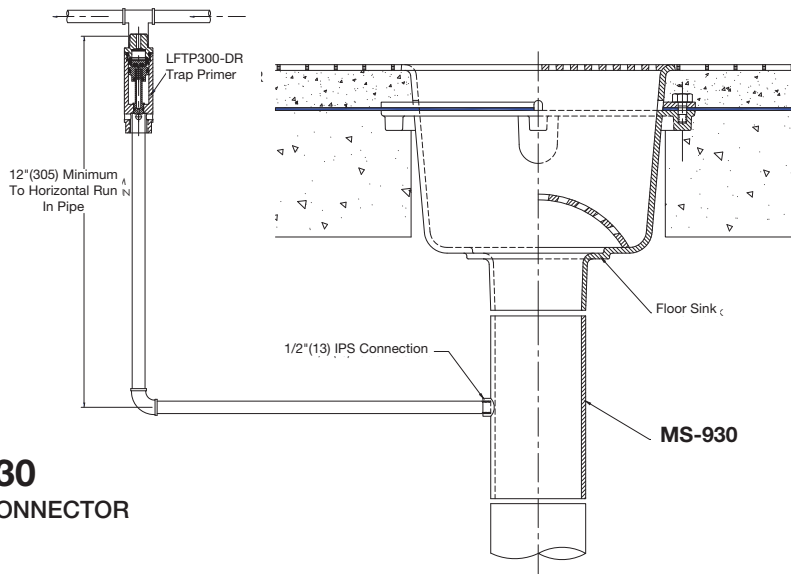
Watts model LFTP300-DU-DR Distribution Unit enables connection to up to four traps with a single trap primer.

### Typical Installations

**LFTP300-DR**  
TRAP PRIMER



**MS-930**  
TRAP PRIMER CONNECTOR



Consult factory for all pricing and applications outside of listed parameters.

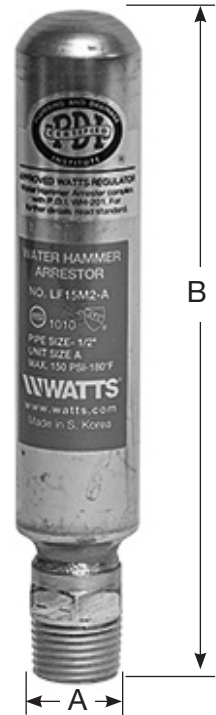
Prices do not include applicable taxes.



# Water Hammer Arrestors

## LF15M2-DR Series Copper Water Hammer Arrestors

Model Number	EDP#	PDI Size	List Price
LF15M2-A-DR	8188366	A	\$235.00
LF15M2-B-DR	8188367	B	448.50
LF15M2-C-DR	8188368	C	706.00
LF15M2-D-DR	8188369	D	1,492.00
LF15M2-E-DR	8188370	E	1,856.00
LF15M2-F-DR	8188371	F	2,208.00



Technical Data							
Model No.	Connection Threaded	Dimensions				PDI Size	Fixture Units
		A		B			
		In.	MM	In.	MM		
LF15M2-A-DR	1/2"	1 1/8"	28.5	5 15/16"	150.9	A	1-11
LF15M2-B-DR	3/4"	1 3/8"	34.9	8 9/16"	218.0	B	12-32
LF15M2-C-DR	1"	1 5/8"	41.3	8 13/16"	223.5	C	33-60
LF15M2-D-DR	1"	2 1/8"	54.0	9 15/16"	252.5	D	61-113
LF15M2-E-DR	1"	2 1/8"	54.0	12 11/16"	322.5	E	114-154
LF15M2-F-DR	1"	2 5/8"	66.7	11 5/32"	283.5	F	155-330

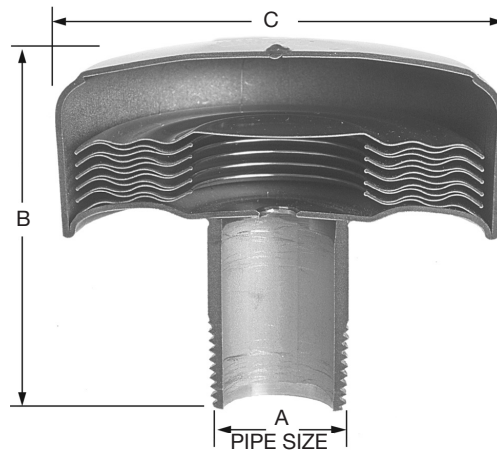
## SS Series

## Stainless Steel Shock Arrestors

Model Number	EDP#	PDI SIZE.	Conn. Size	Height	List Price
SS-AA	8201139	A	3/4"	3 1/4"	\$733.00
SS-BB	8201140	B	1"	4 1/4"	1,493.00
SS-CC	8201141	C	1"	5 3/4"	2,230.00
SS-DD	8201142	D	1"	6 1/2"	5,583.00
SS-EE	8201143	E	1"	6 3/4"	6,304.00



## Stainless Steel Series



Technical Data						
	SS-A	SS-B	SS-C	SS-D	SS-E	SS-F
Fixture Unit	1-11	12-32	33-60	61-113	114-154	155-330
"A" Connection	3/4"(19)	1"(25)	1"(25)	1"(25)	1"(25)	1"(25)
"B" Height	3-3/16"(81)	4"(102)	4-5/16"(110)	5-1/4"(133)	7"(178)	7"(178)
"C" Diameter	3-1/4"(83)	3-1/4"(83)	3-1/4"(83)	3-1/4"(83)	3-1/4"(83)	3-1/4"(83)
PDI Size	A	B	C	D	E	F



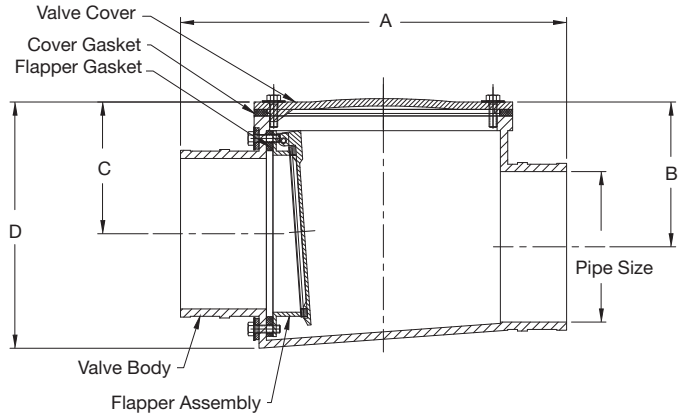
Consult factory for all pricing and applications outside of listed parameters. Prices do not include applicable taxes.

# Backwater Valves

## BV-200

### Cast Iron In-Line Backwater Valve

Model Number	EDP#	Wt. Lbs.	Size	List Price
BV-203	8132724	16	3"	\$2,715.00
BV-204	8132727	22	4"	3,339.00
BV-206	8132731	30	6"	4,792.00



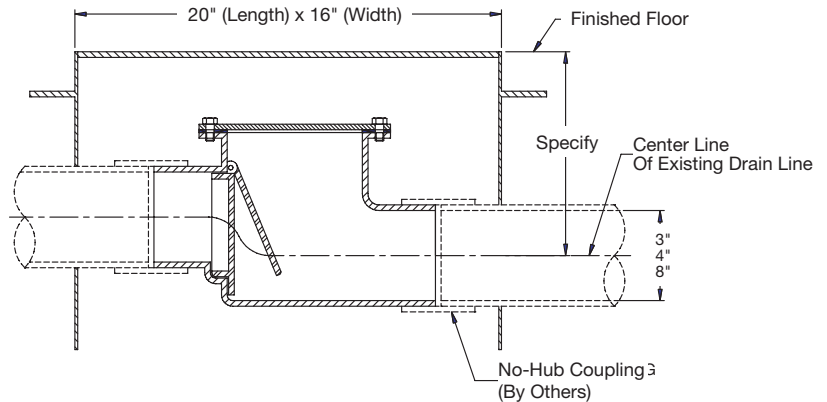
Pipe Size	A	B	C	D
3"(76)	11-5/8"(294)	4-3/16"(107)	3-3/4"(94)	6-1/2"(165)
4"(102)	12"(305)	4-3/8"(110)	3-7/8"	7-1/4"(184)
6"(152)	14-3/4"(375)	5-1/2"(140)	5"(127)	9-3/8"(238)

## BV-240

### In-Line Backwater Valve with Access Housing

Model Number	Wt. Lbs.	Size	List Price
BV-243	16	3"	\$5,841.00
BV-244	22	4"	6,468.00
BV-246	30	6"	7,920.00

Note: Epoxy-coated Steel Access Housing



### Options for BV-240

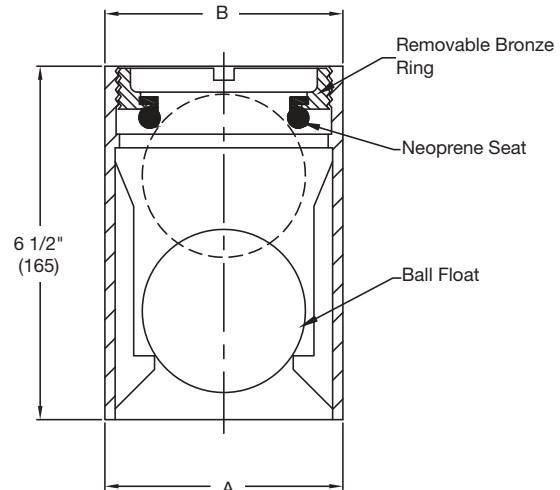
Suffix	Description	List Price
-HD	Heavy Duty Traffic Cover	\$6,888.00

## BV-300

### Ball Float Backwater Valve

Model Number	EDP#	Wt. Lbs.	Size	List Price
BV-302	8187804	5	3"x2"	\$504.00
BV-303	8187805	5	3"	504.00
BV-304	8187806	5	4"	504.00

Size	A	B
2"(51)	2 11/32"(59)	3 3/8"(86)
3"(76)	3 3/8"(86)	3 3/8"(86)
4"(102)	4 3/8"(111)	4 3/8"(111)



Consult factory for all pricing and applications outside of listed parameters.

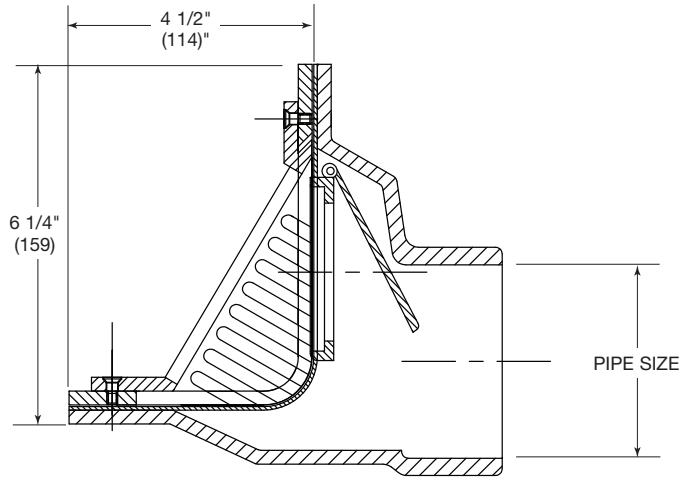
Prices do not include applicable taxes.



# Backwater Valves/Trap Primers

## BV-600 Pit Drain with Backwater Valve

Model Number	Wt. Lbs.	Size	List Price
BV-602,3,4	40	2,3,4"	\$2,444.00

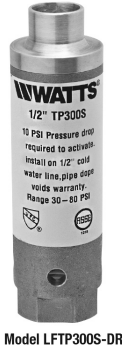


### Options for BV-600

Suffix	Description	List Price
-1	Nickel Bronze Grate & Frame	\$1,153.00
-6	Vandal Proof Grate	196.50

## LFTP300-DR Trap Primer & Distribution Unit

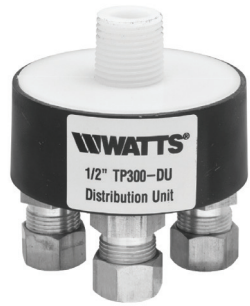
Model Number	EDP#	Wt. Lbs.	Size	List Price
LFTP300T-DR	8188354	1	1/2"	\$360.00
LFTP300S-DR	8188353	1	1/2"	360.00
LFTP300-DU-DR	8188355	1	1/2"	252.50



Model LFTP300S-DR



Model LFTP300T-DR

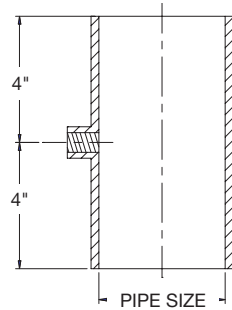


Model LFTP300-DU-DR

# Miscellaneous Specialties

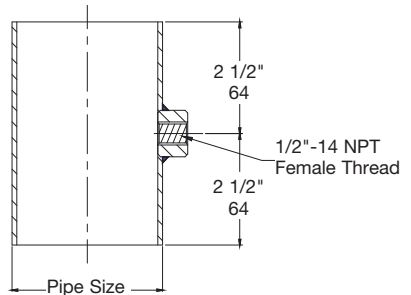
## MS-930 Trap Primer Adaptor

Model Number	EDP#	Size	Material	List Price
MS-932, 3, 4	8143303	2, 3, 4"	cast iron	\$256.50



## MS-940-SS Stainless Steel Trap Primer Adaptor

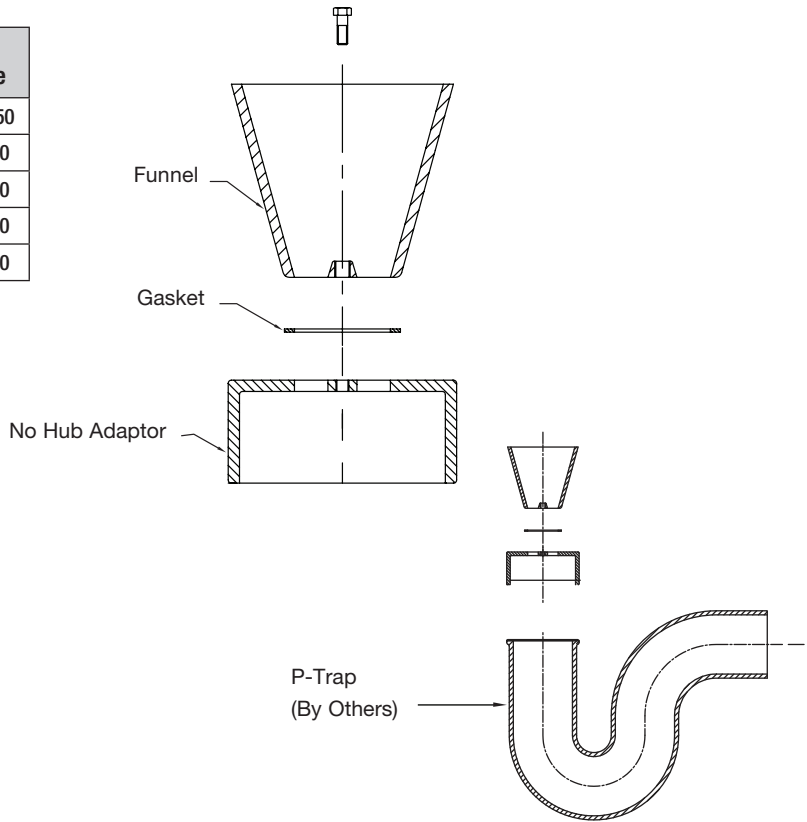
Model Number	EDP#	Size	Material	List Price
MS-942, 3, 4	8189052	2, 3, 4"	stainless steel	\$484.00



# Miscellaneous Specialties

## MS-950 Funnel/Trap Adaptor

Model Number	Size	Funnel	List Price
MS-952,3-F4-50	2, 3"	4" Cast Iron	\$391.50
MS-952,3-F4-1	2, 3"	4" Nickel Bronze	723.00
MS-952,3-F6-1	2, 3"	6" Nickel Bronze	986.50
MS-952,3-G-50	2, 3"	4x9" Cast Iron	716.50
MS-952,3-G-1	2, 3"	4x9" Nickel Bronze	716.50



Typical Installation

### Options for MS-950:

Suffix	Description	List Price
-8	Ball Flat Backwater Valve	\$503.50

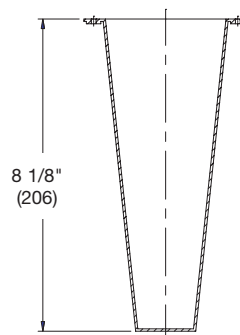
## MS-8000 Fresh Air Inlet

Model Number	EDP#	Size	Material	Wt., Lbs.	List Price
MS-8034	8186273	3" to 4"	Nickel Bronze	3	\$806.50
MS-8056	8186274	5" to 6"	Nickel Bronze	4	1,385.00



## PS Series Plastic Pipe Sleeves

Model Number	EDP#	Size	Taper Degree	Carton Qty.	List Price
PS-0151	8143770	1-1/2"	3	336	\$13.25
PS-021	8143771	2"	3	280	16.25
PS-033	8143773	3"	3	168	18.00
PS-043	8143775	4"	3	96	26.00
PS-053	8143777	5"	3	72	28.25
PS-063	8143779	6"	3	40	33.25
PS-083	8143780	8"	3	n/a	55.25
PS-101	8143781	10"	3	n/a	72.00
PS-121	8143782	12"	3	n/a	116.50



Consult factory for all pricing and applications outside of listed parameters.

Prices do not include applicable taxes.

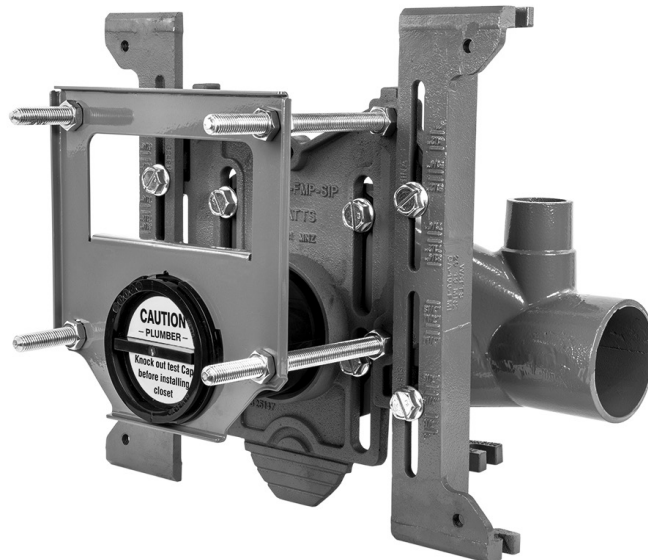




# Fixture Carriers

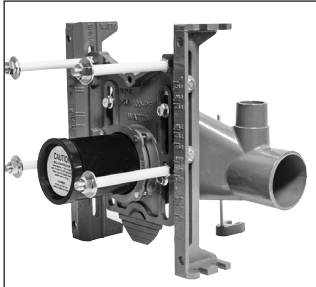
## Table Of Contents

- Pictorial Index
- Recommendations
- Water Closet Carriers
  - Compression Seal Closet Carriers
  - QT QuickTurn™ Closet Carriers
  - Matching Water Closet & Carrier
  - Carrier Selection & Battery Set-Up
  - Stud & Nipple Adjustment
  - Floor Anchoring
  - Thin Wall Carriers
  - Commonly Specified Options
- Wall Hung Fixture Carriers
  - Lavatory Carriers
  - Urinal & Water Cooler Carriers
  - Service Sink Carriers



# Fixture Carriers

## Pictorial Index



**ISCA-101-L/R**  
Single Horizontal  
Compression Seal



**QT-101-L/R**  
Single Horizontal  
QuickTurn™



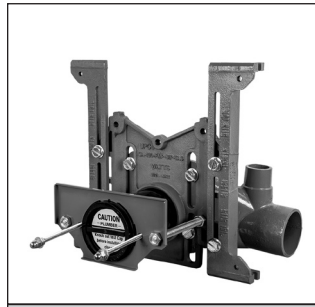
**ISCA-101-L/R-AUX**  
Single Horizontal w/Aux. Inlet  
Compression Seal



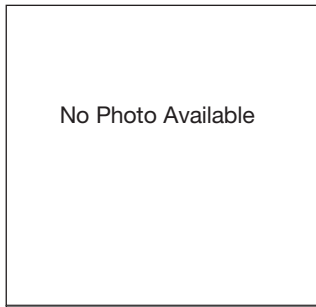
**QT-101-L/R-AUX**  
Single Horizontal w/Aux. Inlet  
QuickTurn™



**ISCA-101-L/R-BF**  
Single Horizontal Floor Mounted  
Back Outlet - Compression Seal



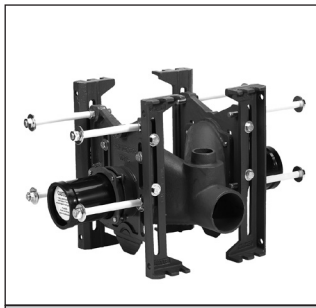
**QT-101-L/R-BF**  
Single Horiz. Floor Mounted Back  
Outlet - QuickTurn™



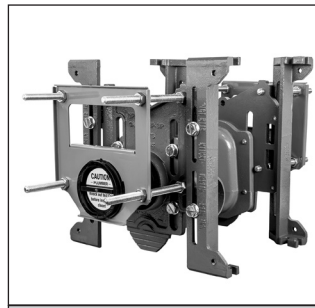
**ISCA-101-L/R-TAS**  
Single Horiz. for 4" Rough-In  
Compression Seal



**QT-101-L/R-TAS**  
Single Horiz. for 4" Rough-In  
QuickTurn™



**ISCA-101-D**  
Back-to-Back Horizontal  
Compression Seal



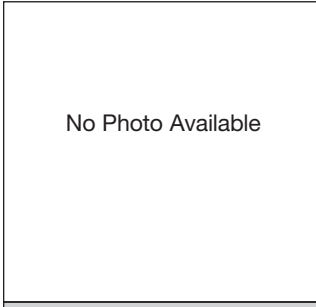
**QT-101-D**  
Back-to-Back Horizontal  
QuickTurn™



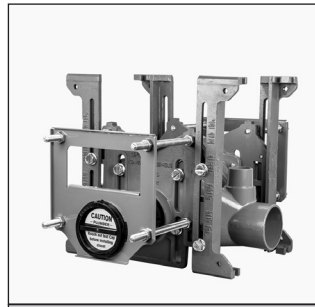
**ISCA-101-D-BF**  
Back-to-Back Horiz. Floor Mounted  
Back Outlet - Compression Seal



**QT-101-D-BF**  
Back-to-Back Horiz. Floor Mounted  
Back Outlet - QuickTurn™



**ISCA-101-D-TAS**  
Back-to-Back Horiz. for 4"  
Rough-In Compression Seal



**QT-101-D-TAS**  
Back-to-Back Horiz. for 4"  
Rough-In QuickTurn™



**ISCA-121**  
Single Vertical  
Compression Seal



**QT-121**  
Single Vertical  
QuickTurn™

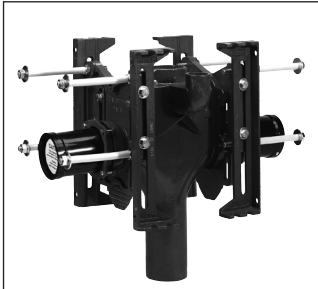
Consult factory for all pricing and applications outside of listed parameters.

Prices do not include applicable taxes.

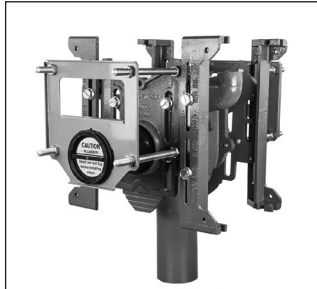
**WATTS®**

# Fixture Carriers

## Pictorial Index



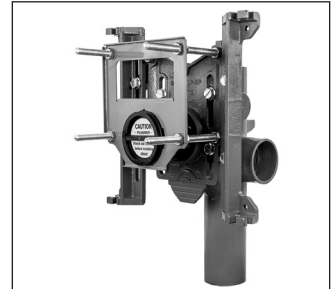
**ISCA-121-D**  
Back-to-Back Vertical  
Compression Seal



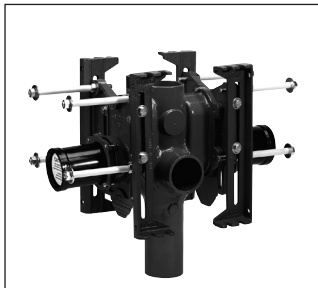
**QT-121-D**  
QT QuickTurn™ Back-to-Back  
Vertical Adj. Closet Carrier



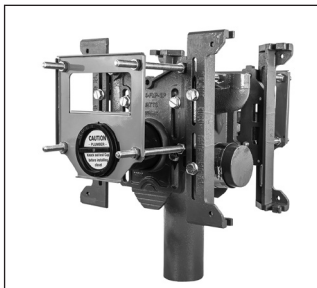
**ISCA-131**  
Single Vertical w/Side Inlet(s)  
Compression Seal



**QT-131**  
Single Vertical w/Side Inlet(s)  
QuickTurn™



**ISCA-131-D**  
Back-to-Back Vertical w/Side  
Inlet(s) - Compression Seal



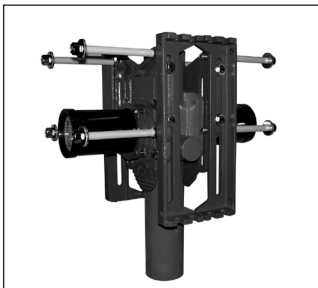
**QT-131-D**  
Back-to-Back Vertical w/Side  
Inlet(s) - QuickTurn™



**ISCA-141**  
Single Thin Wall Vertical  
Compression Seal



**QT-141**  
Single Thin Wall Vertical  
QuickTurn™



**ISCA-141-4-D**  
Back-to-Back Thin Wall  
Vertical - Compression Seal



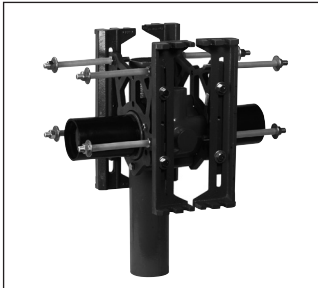
**QT-141-4-D**  
Back-to-Back Thin Wall  
Vertical - QuickTurn™



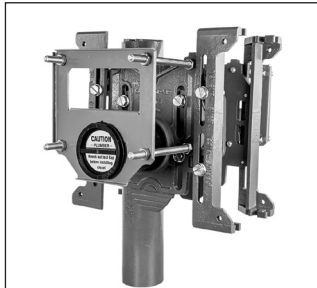
**ISCA-151-L/R**  
Single Offset Thin Wall Vertical  
Compression Seal



**QT-151-L/R**  
Single Offset Thin Wall Vertical  
QuickTurn™



**ISCA-151-D**  
Back-to-Back Offset Thin Wall  
Vertical - Compression Seal



**QT-151-D**  
Back-to-Back Offset Thin Wall  
Vertical - QuickTurn™



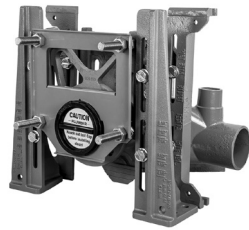
**QT-161-L/R**  
Single Thin Wall Horizontal  
QuickTurn™

# Fixture Carriers

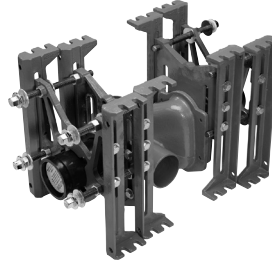
## Pictorial Index



**ISCA-102-L/R**  
1000 lb. Single Horizontal  
Compression Seal



**QT-102-L/R**  
1000 lb. Single Horizontal  
QuickTurn™



**ISCA-102-D**  
1000 lb. Back-to-Back  
Horizontal - Compression Seal



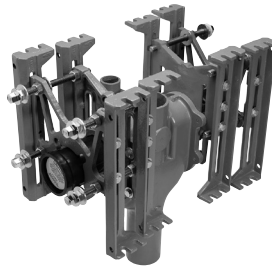
**QT-102-D**  
1000 lb. Back-to-Back  
Horizontal - QuickTurn™



**ISCA-122**  
1000 lb. Single Vertical  
Compression Seal



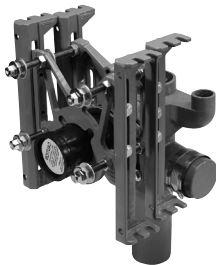
**QT-122**  
1000 lb. Single Vertical  
QuickTurn™



**ISCA-122-D**  
1000 lb. Back-to-Back  
Vertical - Compression Seal



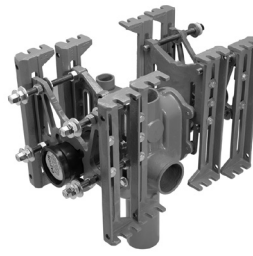
**QT-122-D**  
1000 lb. Back-to-Back  
Vertical - QuickTurn™



**ISCA-132**  
1000 lb. Single Vertical w/Side  
Inlet(s) - Compression Seal



**QT-132**  
1000 lb. Single Vertical w/Side  
Inlet(s) - QuickTurn™



**ISCA-132-D**  
1000 lb. Back-to-Back Vertical w/  
Side Inlet(s) - Compression Seal



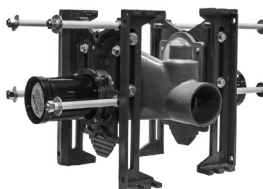
**QT-132-D**  
1000 lb. Back-to-Back Vertical w/  
Side Inlet(s) - QuickTurn™



**ISCA-103-L/R**  
750 lb. Single Horizontal  
Compression Seal



**QT-103-L/R**  
750 lb. Single Horizontal -  
QuickTurn™



**ISCA-103-D**  
750 lb. Back-to-Back  
Horizontal - Compression Seal



**QT-103-D**  
7650 lb. Back-to-Back  
Horizontal - QuickTurn™

Consult factory for all pricing and applications outside of listed parameters.

Prices do not include applicable taxes.



# Fixture Carriers

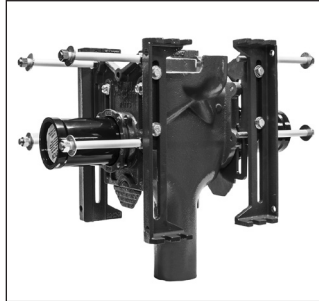
## Pictorial Index



**ISCA-123**  
750 lb. Single Vertical  
Compression Seal



**QT-123**  
750 lb. Single Vertical  
QuickTurn™



**ISCA-123-D**  
750 lb. Back-to-Back Vertical  
Compression Seal



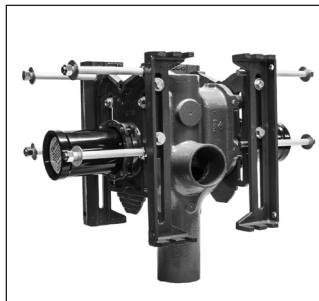
**QT-123-D**  
750 lb. Back-to-Back Vertical  
QuickTurn™



**ISCA-133**  
750 lb. Single Vertical w/Side  
Inlet(s) - Compression Seal



**QT-133**  
750 lb. Single Vertical w/Side  
Inlet(s) - QuickTurn™



**ISCA-133-D**  
750 lb. Back-to-Back Vertical w/  
Side Inlet(s) - Compression Seal



**QT-133-D**  
750 lb. Back-to-Back Vertical w/Side  
Inlet(s) - QuickTurn™



**CA-100-EXT**  
Water Closet Auxiliary Support  
Compression Seal



**QT-100-EXT**  
Water Closet Auxiliary Support  
QuickTurn™

# Fixture Carriers

## Pictorial Index



**TCA-411/TCA-411-WC**  
Concealed Arm "Track"  
Lavatory Carrier



**WCA-411/WCA-411-WC**  
Concealed Arm Lavatory  
Carrier



**TCA-411-D/TCA-411-D-WC**  
Back-to-Back Concealed Arm  
"Track" Lavatory Carrier



**WCA-411-D/WCA-411-D-WC**  
Back-to-Back Concealed Arm  
Lavatory Carrier



**TCA-411-2/3/4**  
Extended Concealed Arm  
"Track" Lavatory Carrier



**CA-311**  
Urinal Carrier



**CA-321**  
Urinal Carrier w/Bearing Plate



**CA-401**  
Exposed Arm Lavatory Carrier



**CA-421**  
Plate Type Lavatory/Water  
Cooler Carrier



**CA-431-1**  
Bi-Level Water Cooler Carrier



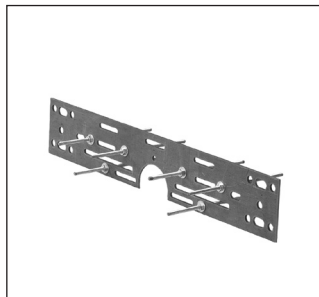
**TCA-440/TCA-450**  
Wall Mounted Concealed Arm  
"Track" Lavatory Carrier



**CA-461**  
Wall Mounted Concealed Arm  
Lavatory Carrier



**CA-462**  
Wall Mounted Concealed Arm  
Lavatory Carrier



**CA-481**  
Wall Plate



**ISCA-550**  
3-Bolt Service Sink Carrier



**ISCA-560**  
4-Bolt Service Sink Carrier

Consult factory for all pricing and applications outside of listed parameters.

Prices do not include applicable taxes.

**WATTS®**

# Fixture Carriers

## Pictorial Index



**TCA-411-WLA**  
FM Concealed Arm Lavatory  
Carrier w/Waste Line Access



**WCA-411-WLA**  
FM Concealed Arm Lavatory  
Carrier w/Waste Line Access



**TCA-411-D-WLA**  
Back-to-Back Concealed Arm  
Lav. Carrier w/Waste Line Access



**WCA-411-D-WLA**  
Back-to-Back Concealed Arm  
Lav. Carrier w/Waste Line Access

# Fixture Carriers

## Recommendations

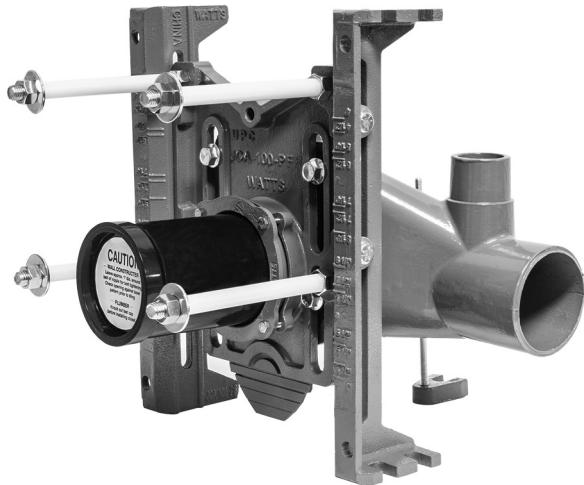
Application	Product
Water closet standard 500 lb.....	ISCA/QT-101, ISCA/QT-121, ISCA/QT-131 Series
Water closet 750 lb.....	ISCA/QT-103, ISCA/QT-123, ISCA/QT-133 Series
Water closet bariatric 1000 lb.....	ISCA/QT-102, ISCA/QT-122, ISCA/QT-132 Series
Water closet/urinal back-to-back.....	ISCA/QT-101-L/R-AUX
Water closet thin wall horizontal.....	QT-161 Series
Water closet thin wall vertical.....	ISCA/QT-141, ISCA/QT-151 Series
Lavatory concealed arm - block wall.....	TCA-411, TCA-411-WC
Lavatory concealed arm - stud wall.....	WCA-411, WCA-411-WC
Lavatory exposed arm.....	CA-401
Urinals.....	CA-311, CA-321
Water coolers, drinking fountains.....	CA-421, CA-431-1
Service sinks.....	ISCA-550, ISCA-560

## Water Closet Carriers

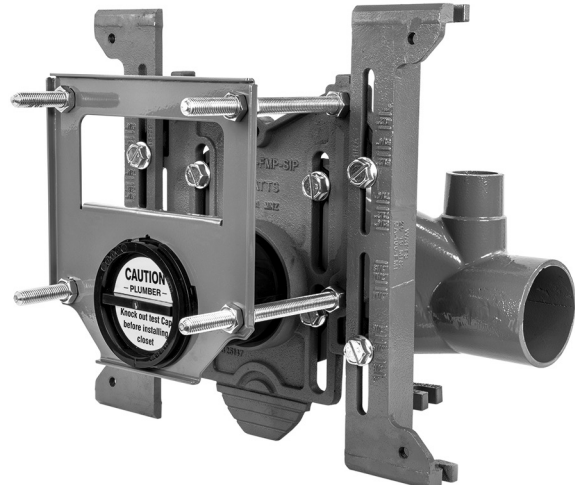
Water Closet Carriers support wall hung "off the floor" water closets. Carriers anchor to the structural floor behind the finished wall, supporting the fixture independent of the wall structure. Watts unique *Industry Standard* and QT QuickTurn™ closet carriers provide exceptional benefits for both pre-fabrication and jobsite installation.

*Industry Standard* Closet Carriers feature a patented 4-bolt mechanical compression seal nipple. The positive nipple seal holds test without additional sealants, reducing test expenses and eliminating the potential for costly behind the wall leaks.

QT QuickTurn™ Closet Carriers are designed with an exclusive wall plate and locking nipple that can be fully adjusted from outside the finished wall. Designed specifically for pre-fabrication, QT Carriers promote pre-fab assembly speed and jobsite reliability.



**Industry Standard Compression Seal Carrier**



**QT QuickTurn™ Carrier**

Consult factory for all pricing and applications outside of listed parameters.

Prices do not include applicable taxes.





# Fixture Carriers

## Recommendations

### Matching Closet & Carrier

Watts carriers can be installed with any commercial 4-bolt (siphon jet) water closet. *Industry Standard* faceplates can be inverted to accommodate 3-bolt (blow-out) fixtures.

Standard Watts closet carriers are tested and third party certified to 500 lb. load rating per AMSE Standard A112.6.1M. Bariatric or other heavy use applications may require 750 lb. and 1000 lb. carriers. Note 750 lb. and 1000 lb. carriers have different wall spacing requirements and a smaller range of adjustment than standard carriers. Special wall construction design and accommodations may be required.

### Carrier Selection & Battery Set-Up

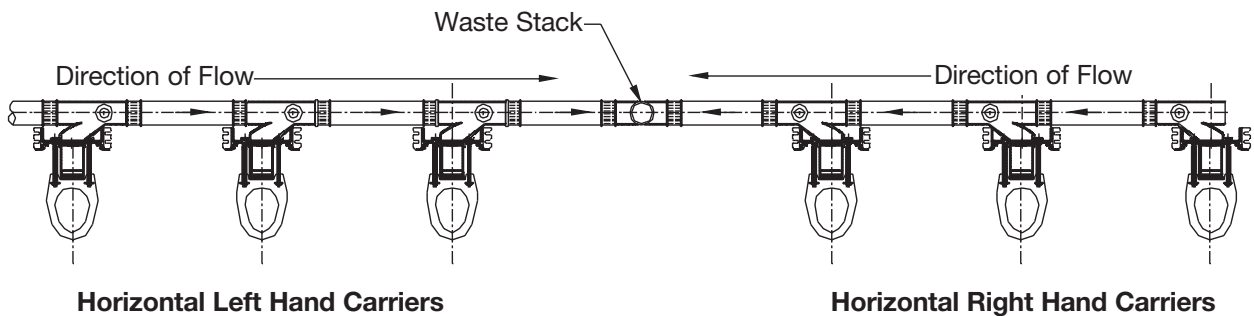
Closet carriers are often installed in groups (batteries) to accommodate multiple fixture and back-to-back bathroom groups. These factors should be considered in the specification of carrier batteries:

#### 1. Location of the waste stack

A waste stack may be located directly behind a water closet, at a midpoint, or at the end of a carrier battery. The position of the stack determines which specific carriers are required, as all waste flows towards the stack.

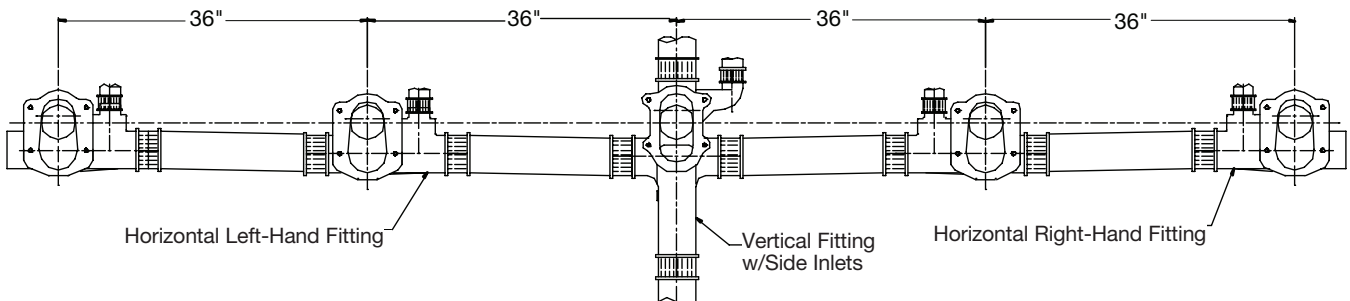
#### 2. Horizontal carrier direction

Single horizontal carriers are specified either left hand or right hand (L or R), depending on the direction of flow. To determine L or R, with your back to the wall, point in the direction of flow. If the flow is to the left, a left hand carrier is required. Back-to-back horizontal carriers are reversible, and do not require a flow direction specification.



#### 3.) Vertical carriers with side inlets (stack fittings)

ISCA/QT-131/132/133 Series carriers are specified in batteries with a waste stack located directly behind one of the bowls. Watts vertical stack fittings are supplied with two open inlets and one no hub cap. The cap can be reversed to open a left or right hand side inlet, or discarded to leave both inlets open



# Fixture Carriers

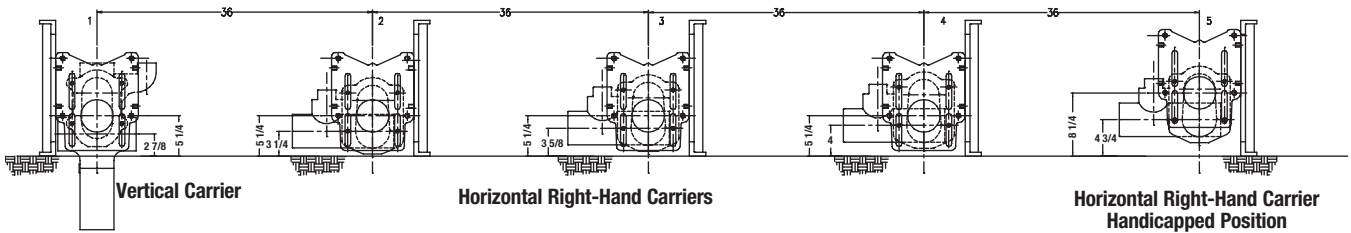
## Recommendations

### Carrier Selection & Battery Set-Up

#### 4.) Battery pitch & rough-in requirements

Standard bowl installations are typically 15" from the floor to the rim of the bowl, and "Physically Handicapped" (ANSI A112.19.2) installations 18" to the rim of the bowl. Assuming standard rough-in specifications of 1/8" pitch on the horizontal waste line, and 36" between fixtures, batteries can typically be constructed with up to 9 fixtures, provided a stack fitting is used in the center position. Handicapped fixtures can be incorporated into the batteries, and should be placed at the high end of the fixture run. The table below indicates minimum and maximum horizontal waste line positions, dependent upon the specified rough-in height of the bowl outlet.

C/Bowl Outlet From Floor	Min. C/L Horiz. Waste from Floor	Max. C/L Horiz. Waste from Floor
4 1/2"(115)	3"(76)	4 1/2"(115)
5"(127)	3"(76)	5"(127)
5 1/2"(140)	3"(76)	5 1/2"(140)
6"(152)	3"(76)	6"(152)
6 1/2"(165)	3 1/4"(82)	6 1/2"(165)
7"(178)	3 5/8"(92)	7"(178)
7 1/2"(191)	4 1/8"(105)	7 1/2"(191)
8"(203)	4 5/8"(118)	8"(203)
8 1/2"(203)	5"(127)	8 1/2"(203)
9"(229)	5 3/8"(137)	9"(229)
9 3/8"(239)	5 3/4"(146)	9 3/8"(239)



### Stud & Nipple Adjustment

Closet horn depths and flange thicknesses from different fixture manufacturers may vary slightly. The closet nipple is usually set 5/16" beyond the face of the finished wall to allow for sufficient closet gasket compression, and ensure a gas and water tight seal (Fig. 2). Carrier studs generally extend 2-1/4" beyond the finished wall, with the back-up nut set flush with the finished wall, and 1/16" back-up washer between the wall and the fixture. Three cap nuts must tighten fully to properly load the carrier (Fig. 3). The fourth cap nut is typically left hand-tight, to avoid stress on the bowl.

**Note:** *Watts adhesive backed neoprene closet gaskets do not require an additional sealant to form a proper seal.*

These formulas can be used to calculate exact nipple and stud positions:

**Nipple Position:**  $A = B - 7/16"$   
**Where:**  
 A = distance nipple should extend beyond finished wall  
 B = depth of closet horn

**Stud Position:**  $X = Y + 5/8"$   
**Where:**  
 x = distance stud should extend beyond finished wall  
 Y = thickness of fixture flange

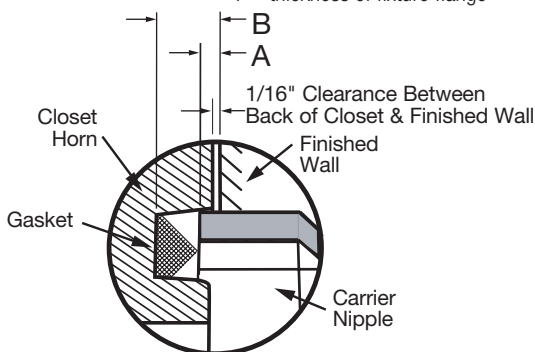


Figure 2

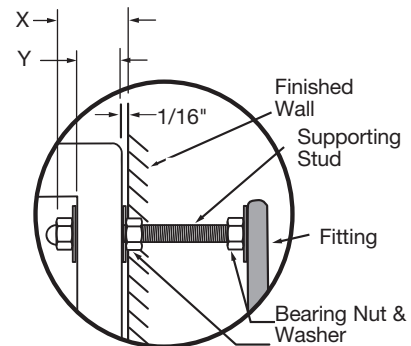


Figure 3

Consult factory for all pricing and applications outside of listed parameters.  
 Prices do not include applicable taxes.



# Fixture Carriers

## Recommendations

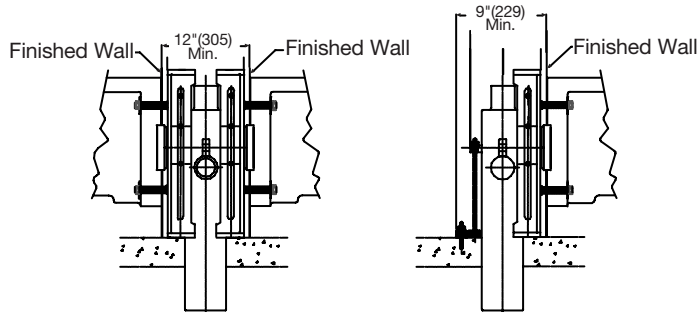
### Floor Anchoring

Closet carriers must be securely anchored to the structural floor with min. 1/2" dia. anchor bolts (by others). Particular attention should be paid to the rear anchor support on single horizontal carriers, as unsecure rear anchors are the primary cause of rocking or excessive deflection at the bowl.

Watts closet carrier feet have dual anchor slots which eliminates the problem of single anchors conflicting with concrete support bars (rebar). For standard 500 lb. carriers, only one anchor bolt is required to secure each leg to the floor.

### Thin Wall Vertical Carriers

ISCA/QT-141 & ISCA/QT-151 Series vertical carriers are specified in single or multiple story buildings with thin pipe chases. 141 series carriers vent directly off the top of the waste stack, and are generally used in single story installations. 151 series carriers have an offset fitting, and are commonly specified in multi-story and retrofit applications.



### Commonly Specified Options

#### -BF Assembly for Back Outlet Bowl

Yoke assembly enables connection of carrier to a floor mounted back outlet bowl.

#### -CA-100-EXT (Auxiliary Support System)

Additional support at the finished wall for wide pipe chases, recommended when the 'X' dimension exceeds 16". Supplied standard with a 24" nipple (cut to size). Extended 5/8" support rods are supplied by others.

#### -HS Hub & Spigot Connections

Hub & spigot fitting and vent connections.

#### -M1 Extended Nipple

24" ABS nipple with integral test cap for installations in wide pipe chases. Can be cut to size.

#### -M11 Tiling Frame

Creates flat even surface at the finished wall for tile application.

#### -M16 Vandal Proof Cap Nuts

Cap nuts secured with Allen Head set screws to prevent hand removal.

#### -M20 Flush Valve Support

Copper support secures and aligns exposed flush valve supply pipe.

#### -QT-100-EXT (Auxiliary Support QT)

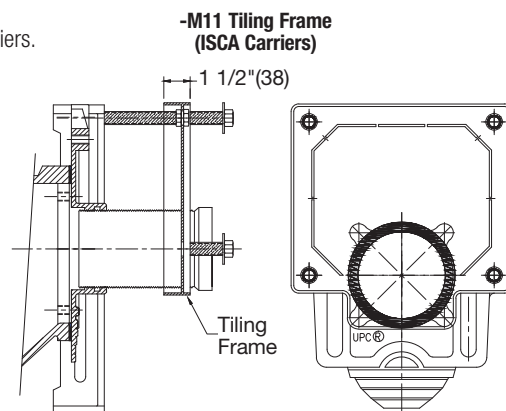
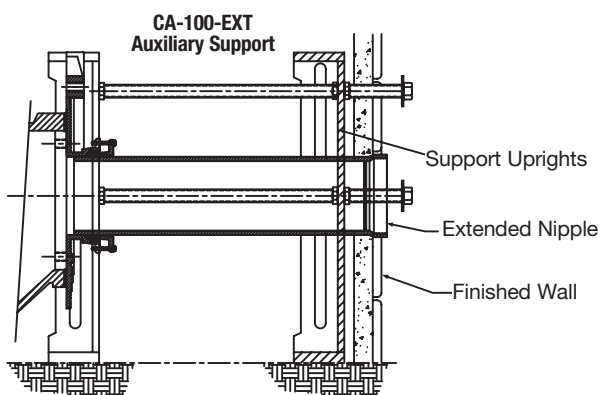
Additional support at the finished wall for wide pipe chases, recommended when the 'X' dimension exceeds 16". Supplied standard with a 24" nipple (cut to size). Extended 5/8" support rods are supplied by others.

#### -TAS Faceplate for 4" Rough-In

Enables bowl waste rough-in height 4" above finished floor. Specified in elementary schools, day-care centers, and other facilities serving young children.

#### -36 Long Barrel Horizontal Fitting

36" long fitting enables standard battery set-ups, without additional piping between carriers.



# Industry Standard Water Closet Carriers

## ISCA-101 Horizontal Adjustable 500 lb. Closet Carrier

Model Number	Wt. Lbs.	Description	List Price
ISCA-101-L	77	Single Horizontal - Left Hand	\$2,154.00
ISCA-101-R	77	Single Horizontal - Right Hand	2,154.00
ISCA-101-L-AUX	77	Single Horizontal - LH - 2" Aux Conn.	2,681.00
ISCA-101-R-AUX	77	Single Horizontal - RH - 2" Aux Conn.	2,681.00
ISCA-101-D	135	Back-to-Back Horizontal	4,026.00



ISCA-101-L



ISCA-101-D

## ISCA-121 Vertical Adjustable 500 lb. Closet Carrier

Model Number	Wt. Lbs.	Description	List Price
ISCA-121	97	Single Vertical	\$2,446.00
ISCA-121-D	160	Back-to-Back Vertical	4,318.00



ISCA-121



ISCA-121-D

## ISCA-131 Vertical Adjustable 500 lb. Closet Carrier with Side Inlet(s)

Model Number	Wt. Lbs.	Description	List Price
ISCA-131	97	Single Vertical - w/Side Inlet(s)	\$2,858.00
ISCA-131-D	160	Back to Back Vertical - w/Side Inlet(s)	4,637.00



ISCA-131



ISCA-131-D

See Pg. 210 for options & parts for all ISCA & QT models.

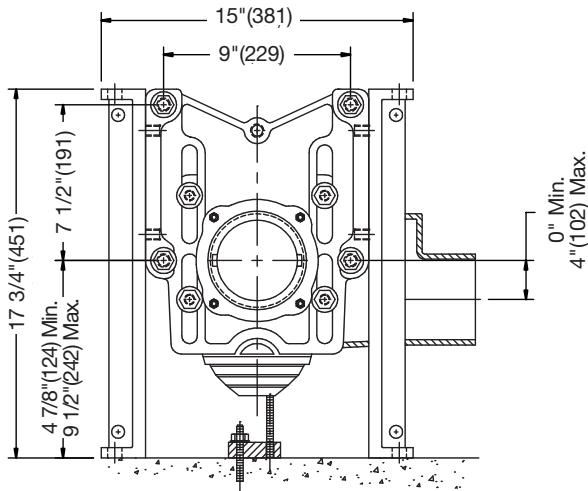
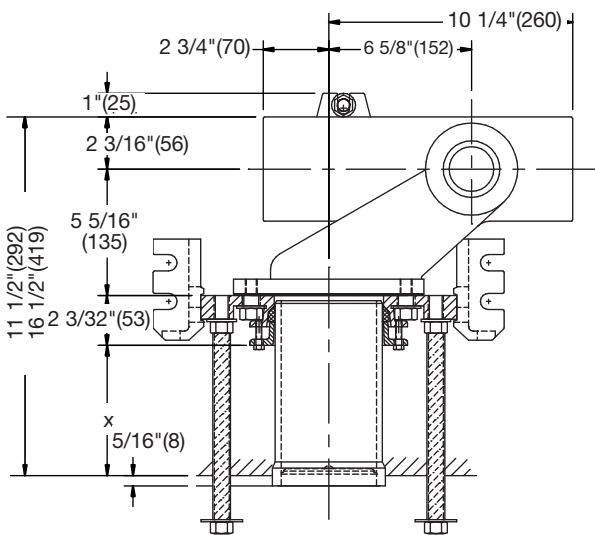
Consult factory for all pricing and applications outside of listed parameters.  
Prices do not include applicable taxes.



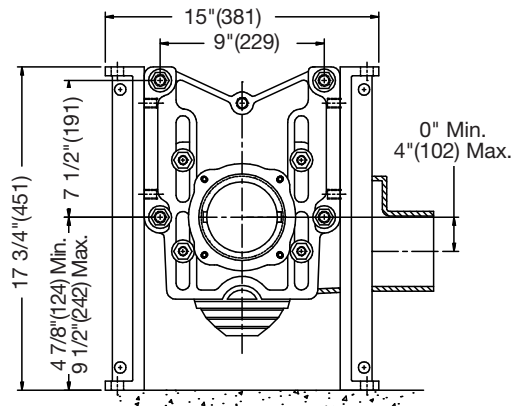
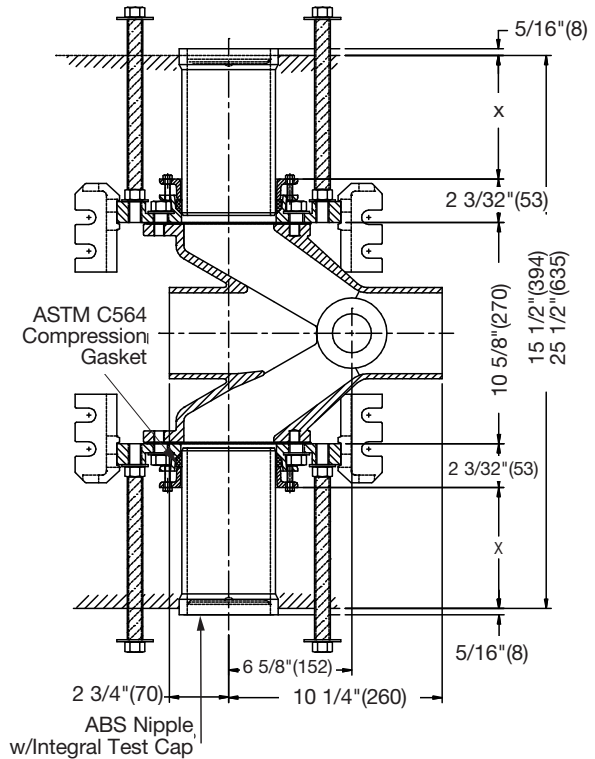
# Industry Standard Water Closet Carriers

## Water Closet Carrier Options & Parts

Suffix	Description	List Price	Suffix	Description	List Price
-3	3" Horizontal Fitting	-\$200.00	-M11	Tiling Frame - Single (ISCA)	\$98.25
-36	Horizontal Long Barrel (36")	625.50		Tiling Frame - Double (ISCA)	195.00
-BF	Assy. For Back Outlet Bowl	No Add	-M16	Vandal Proof Cap Nuts - Single	156.00
CA/QT-100-EXT	Auxiliary Support- Single	716.00		Vandal Proof Cap Nuts - Double	311.00
	Auxiliary Support - Double	1,431.00	-M20	Flush Valve Support - Single	105.00
-CI	8" Cast Iron Nipple	No Add		Flush Valve Support - Double	210.50
-HS	Hub & Spigot Connections	No Add	-M23	RH Side Inlet (141/151)	532.50
-CA-N8-50-QT	8" Cast Iron Nipple (QT)	216.00	-M24	LH Side Inlet (141/151)	532.50
-CA-N24-50-QT	24" Cast Iron Nipple (QT)	605.00	-TAS	Faceplate for 4" Rough-In	No Add
-M1	24" Nipple - Single	288.50			
	24" Nipple - Double	576.00			



ISCA-101-L/R

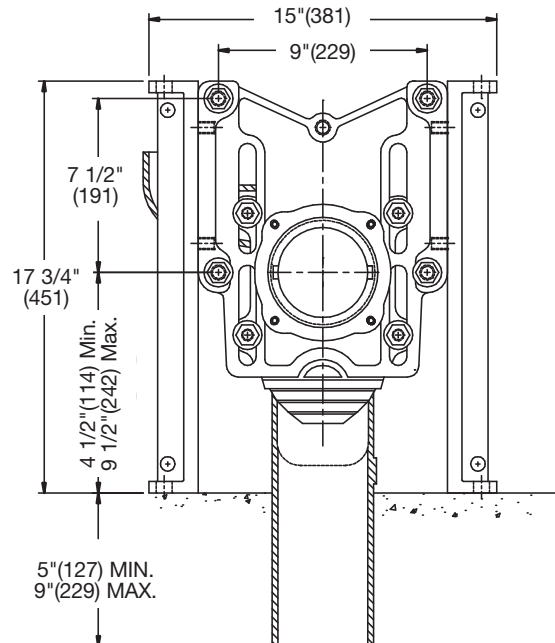
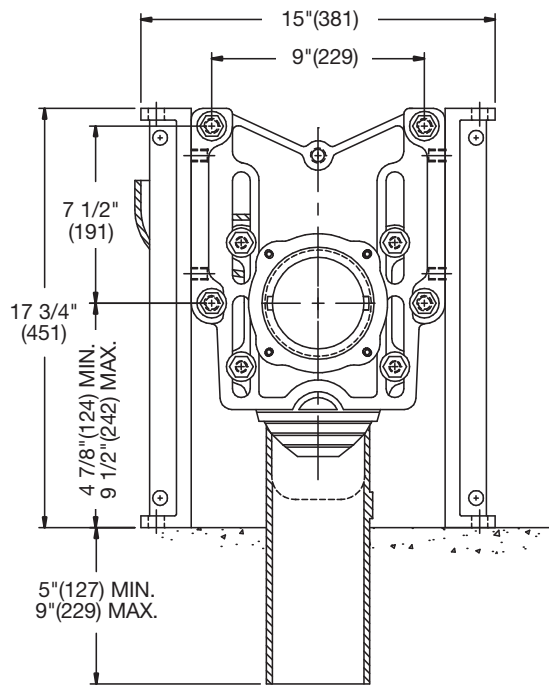
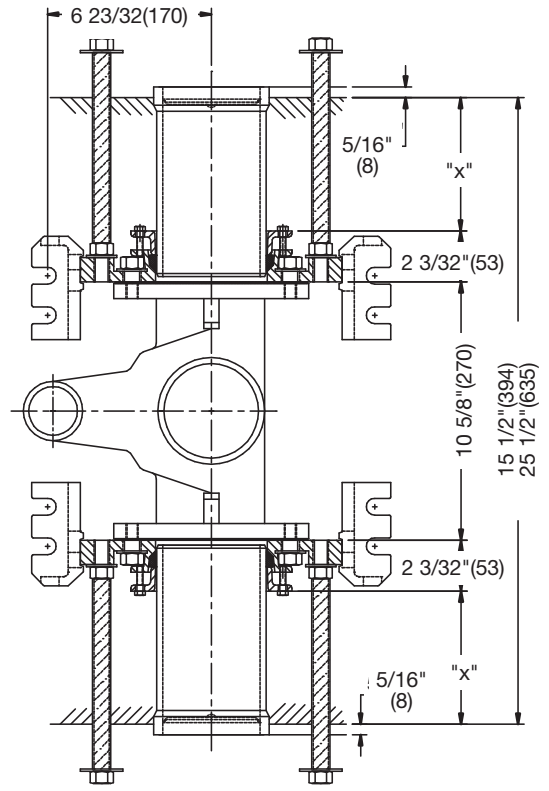
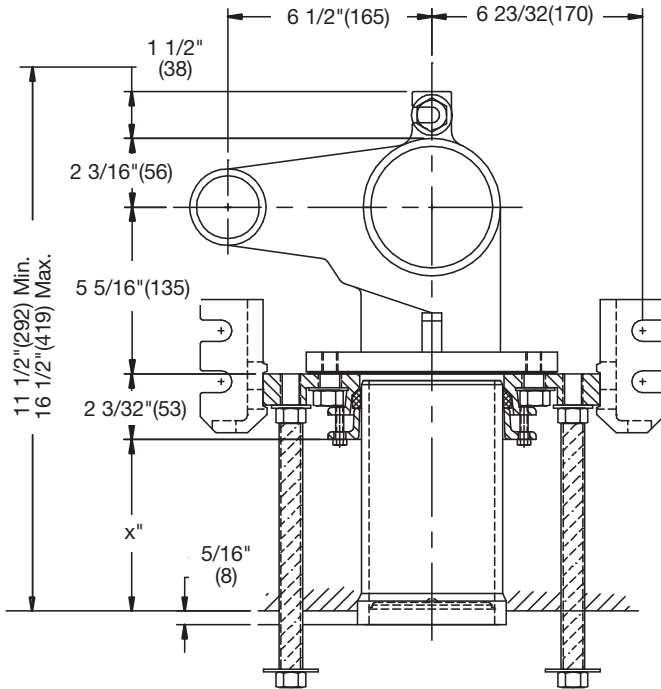


ISCA-101-D



Consult factory for all pricing and applications outside of listed parameters.  
Prices do not include applicable taxes.

# Industry Standard Water Closet Carriers



**ISCA-121**

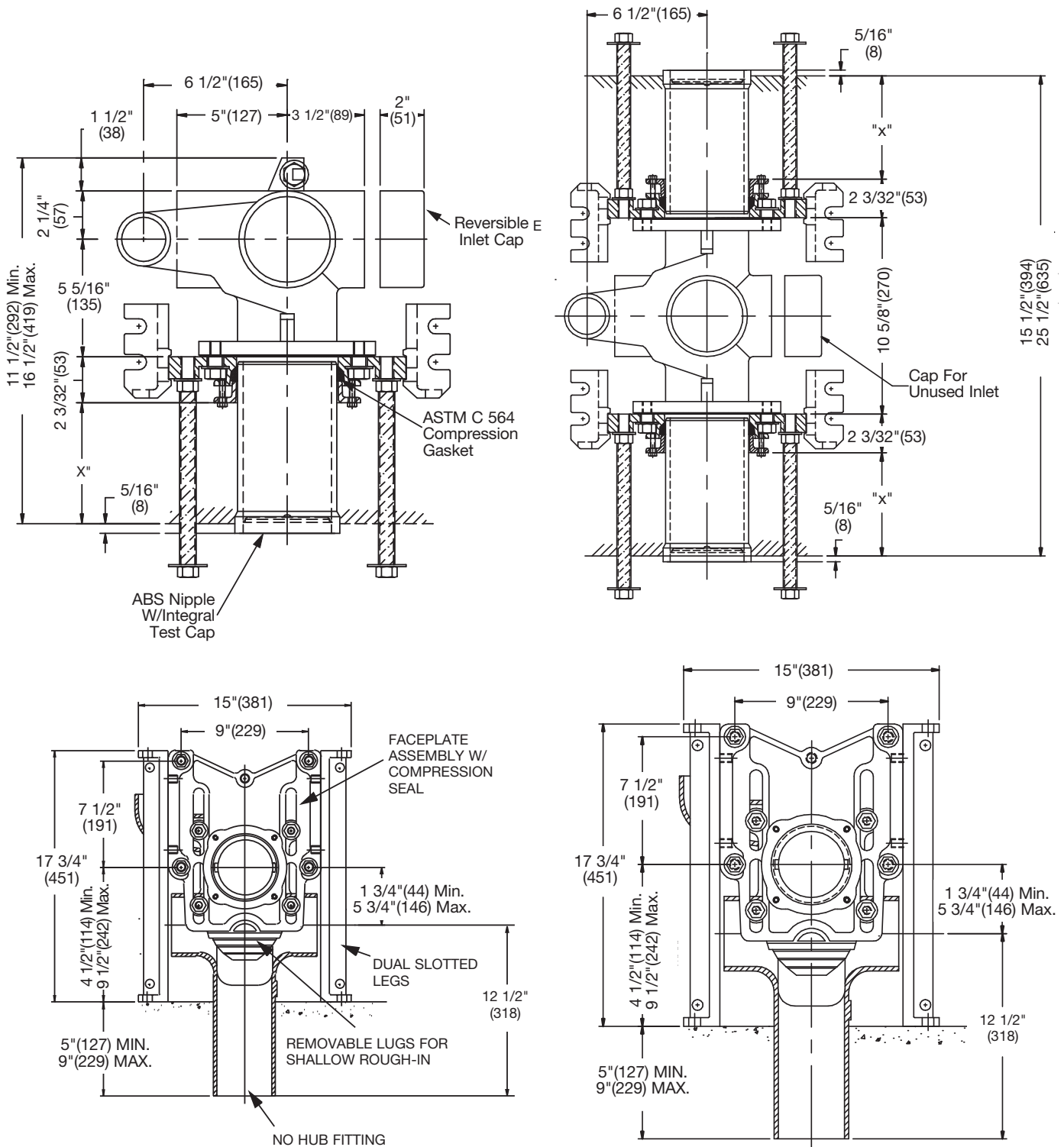
**ISCA-121-D**

Consult factory for all pricing and applications outside of listed parameters.

Prices do not include applicable taxes.



# Industry Standard Water Closet Carriers



ISCA-131

ISCA-131-D

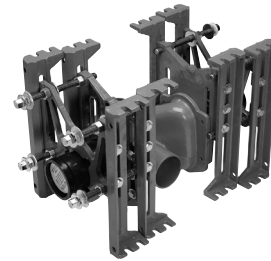
## Industry Standard Water Closet Carriers

### ISCA-102 Horizontal 1000 lb. Bariatric Closet Carrier

Model Number	Wt. Lbs.	Description	List Price
ISCA-102-L	108	Single Horizontal - Left Hand	\$6,184.00
ISCA-102-R	108	Single Horizontal - Right Hand	6,184.00
ISCA-102-D	186	Back-to-Back Horizontal	11,920.00



ISCA-102-L/R



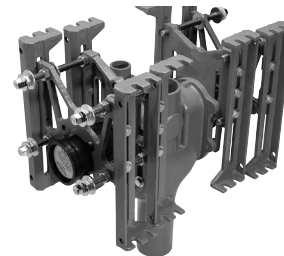
ISCA-102-D

### ISCA-122 Vertical 1000 lb. Bariatric Closet Carrier

Model Number	Wt. Lbs.	Description	List Price
ISCA-122	117	Single Vertical	\$6,804.00
ISCA-122-D	195	Back to Back Vertical	13,114.00



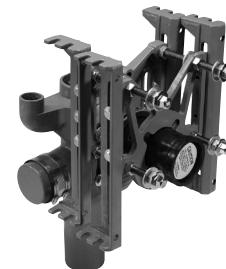
ISCA-122



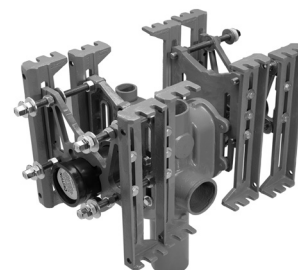
ISCA-122-D

### ISCA-132 Vertical 1000 lb. Bariatric Closet Carrier With Side Inlet(s)

Model Number	Wt. Lbs.	Description	List Price
ISCA-132	121	Single Vertical w/Side Inlet(s)	\$7,213.00
ISCA-132-D	199	Back to Back Vertical w/Side Inlet(s)	13,513.00



ISCA-132



ISCA-132-D

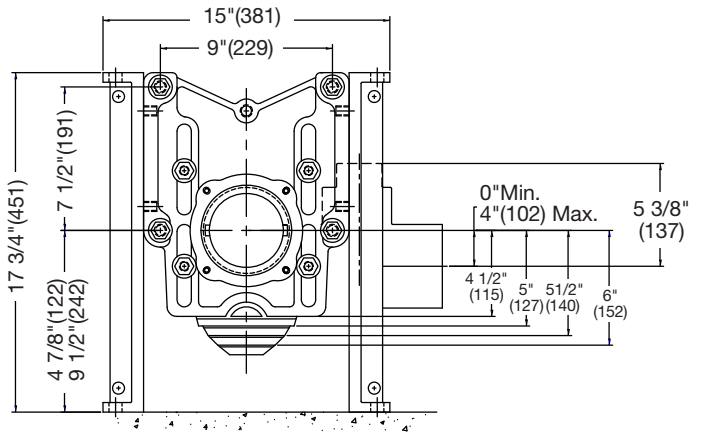
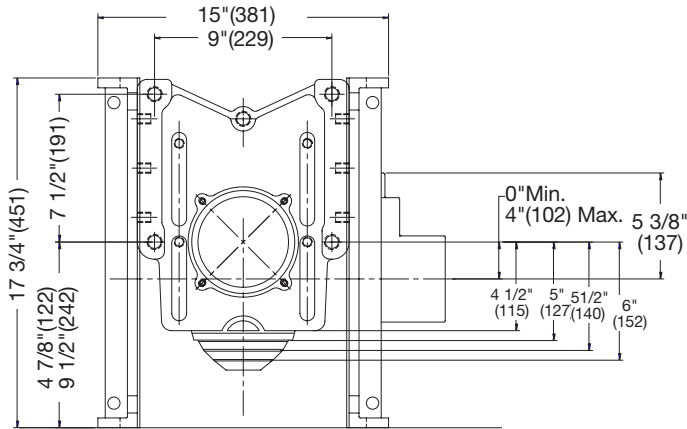
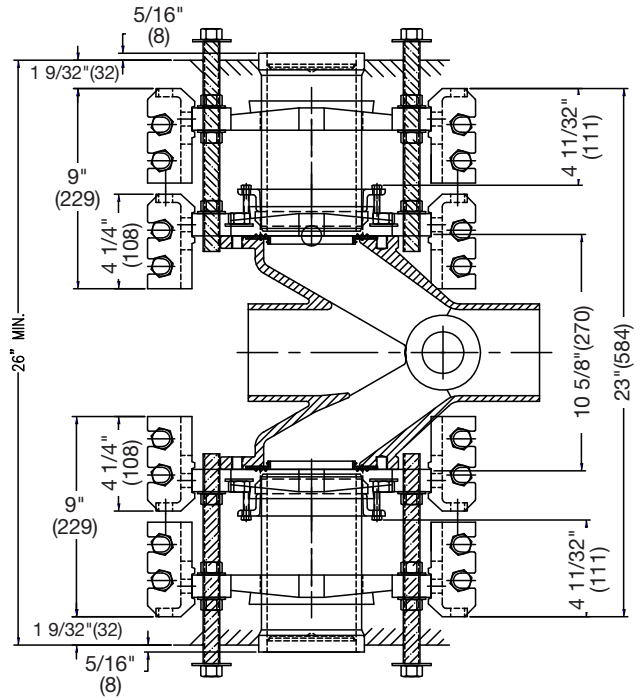
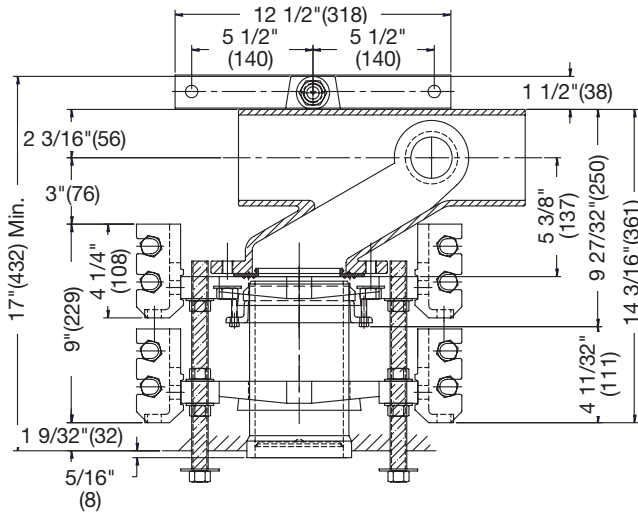
See Pg. 210 for options & parts for all ISCA & QT models.

Consult factory for all pricing and applications outside of listed parameters.  
Prices do not include applicable taxes.





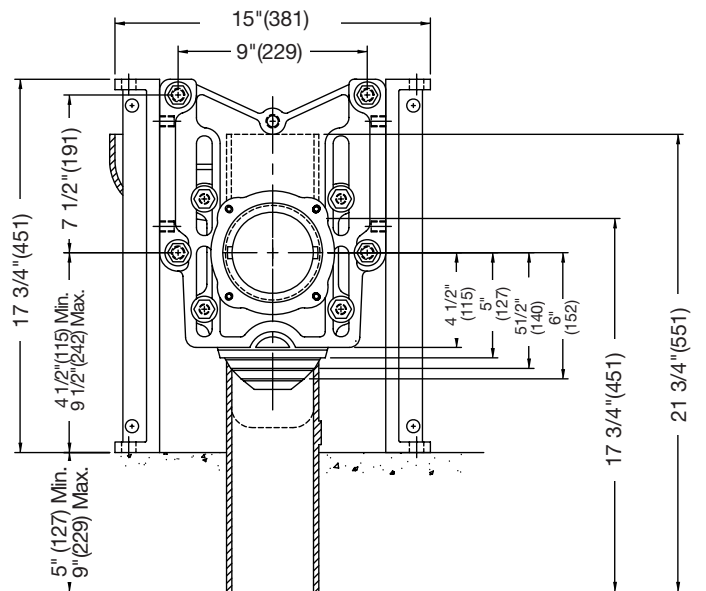
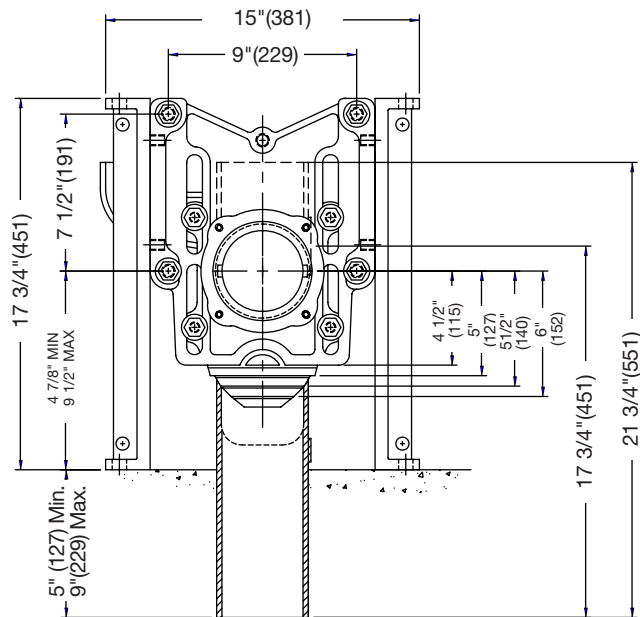
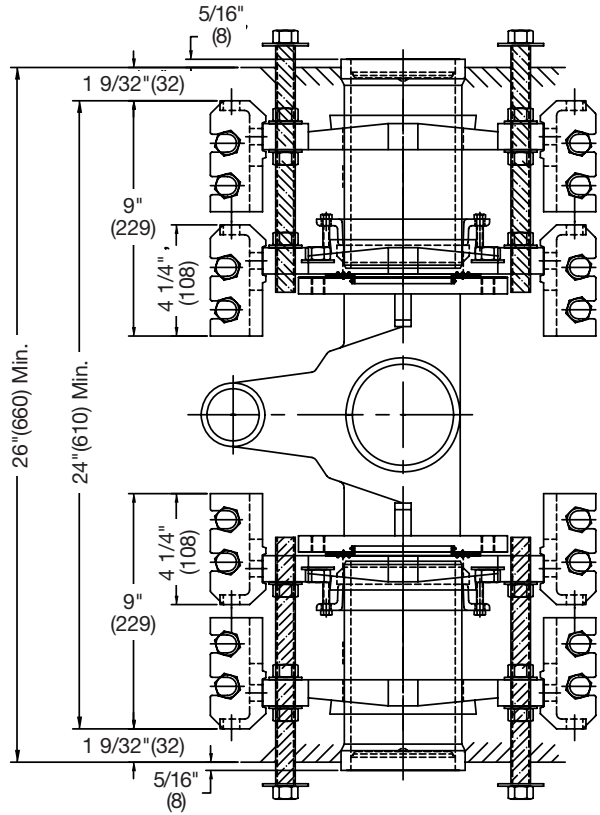
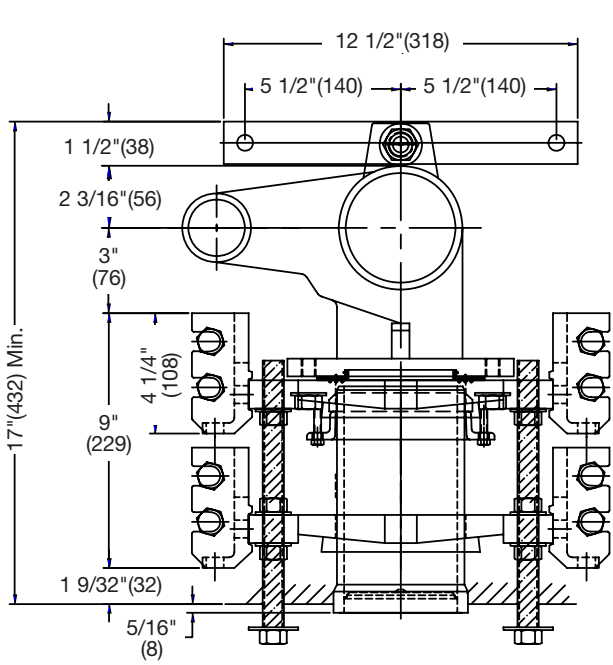
# Industry Standard Water Closet Carriers



ISCA-102-L/R

ISCA-102-D

# Industry Standard Water Closet Carriers



ISCA-122

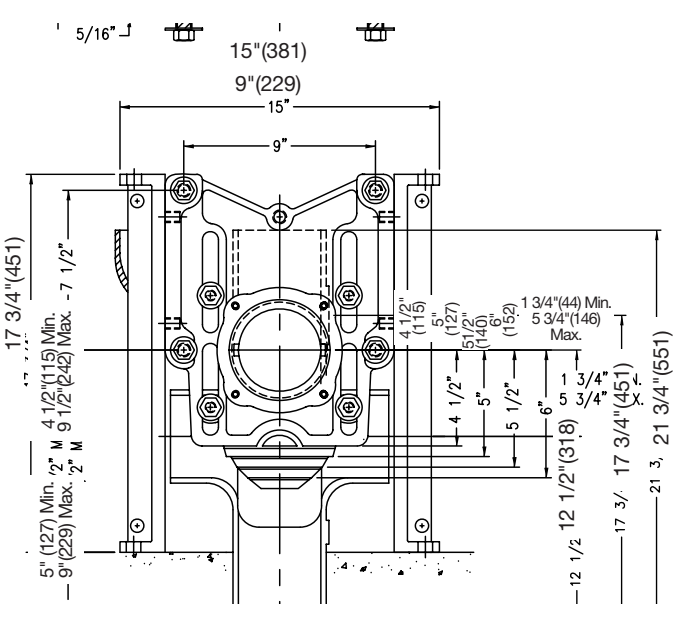
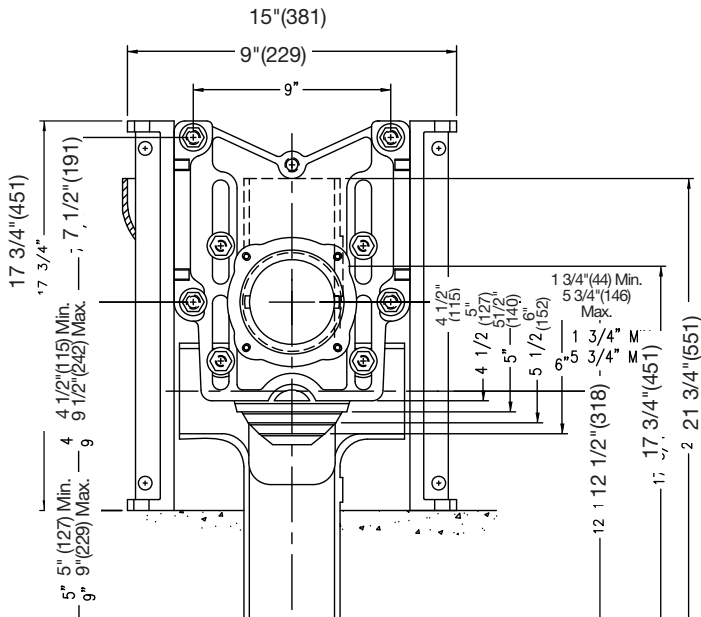
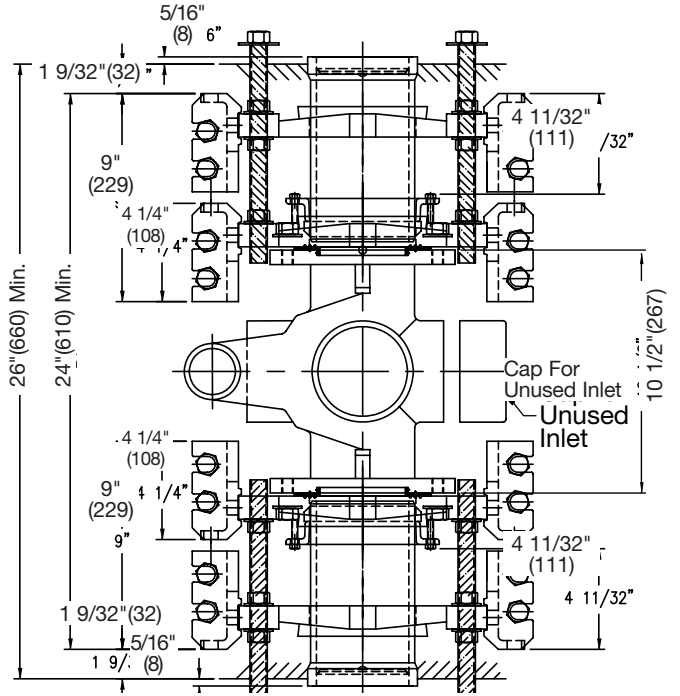
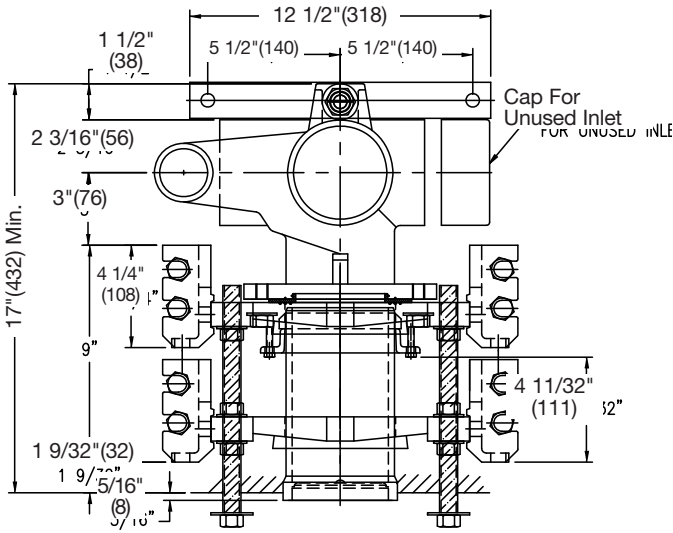
ISCA-122-D

Consult factory for all pricing and applications outside of listed parameters.

Prices do not include applicable taxes.



# Industry Standard Water Closet Carriers



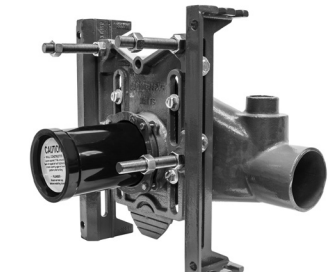
ISCA-132

ISCA-132-D

# Industry Standard Water Closet Carriers

## ISCA-103 Horizontal 750 lb. Closet Carrier

Model Number	Wt. Lbs.	Description	List Price
ISCA-103-L	77	Single Horizontal - Left Hand	\$4,455.00
ISCA-103-R	77	Single Horizontal - Right Hand	4,455.00
ISCA-103-D	135	Back-to-Back Horizontal	8,429.00



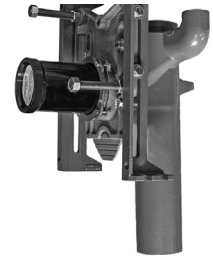
ISCA-103-L/R



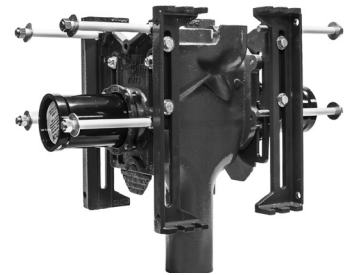
ISCA-103-D

## ISCA-123 Vertical 750 lb. Bariatric Carrier

Model Number	Wt. Lbs.	Description	List Price
ISCA-123	97	Single Vertical	\$4,947.00
ISCA-123-D	160	Back-to-Back Vertical	9,529.00



ISCA-123



ISCA-123-D

## ISCA-133 Vertical 750 lb. Closet Carrier With Side Inlet(s)

Model Number	Wt. Lbs.	Description	List Price
ISCA-133	97	Single Vertical w/Side Inlet(s)	\$5,353.00
ISCA-133-D	160	Back-to-Back Vertical w/Side Inlet(s)	9,928.00



ISCA-133



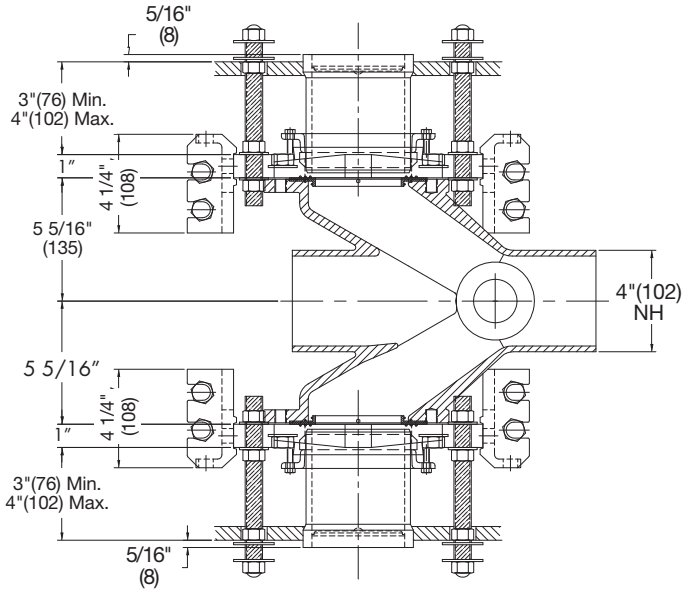
ISCA-133-D

See Pg. 210 for options & parts for all ISCA & QT models.

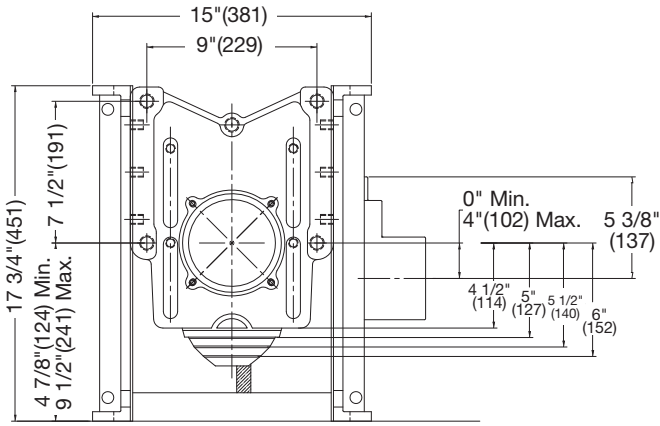
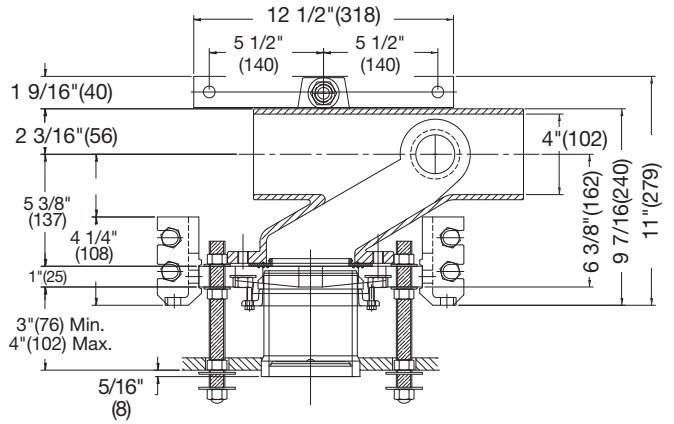
Consult factory for all pricing and applications outside of listed parameters. Prices do not include applicable taxes.



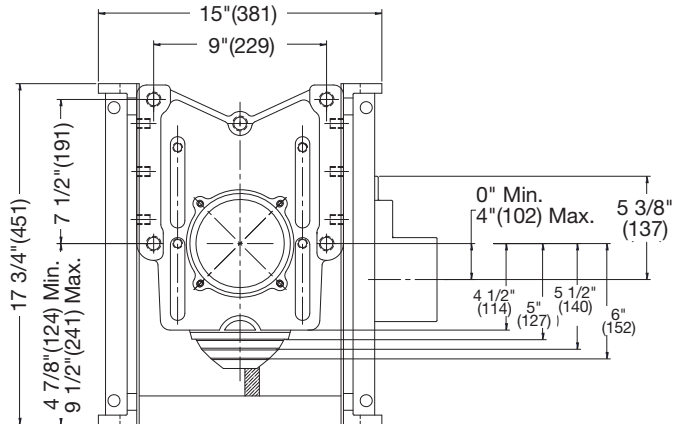
# Industry Standard Water Closet Carriers



Top View



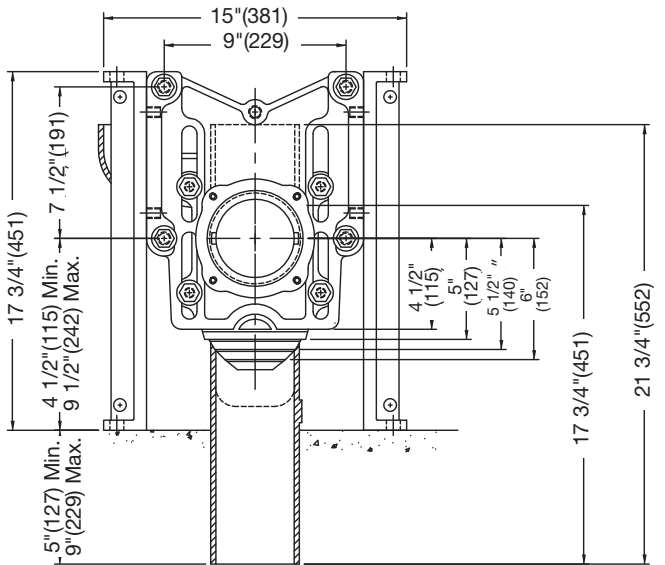
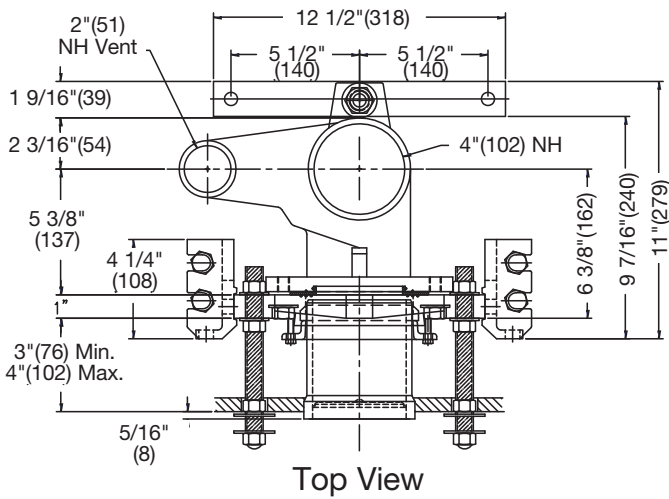
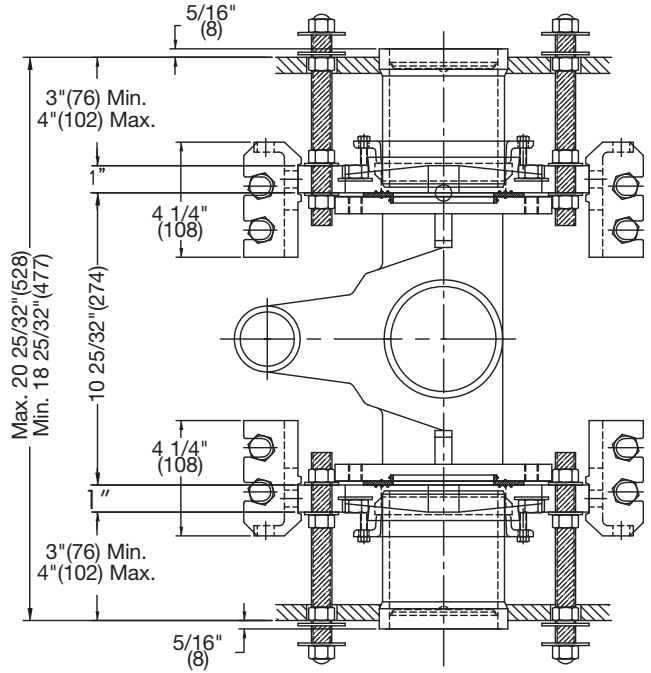
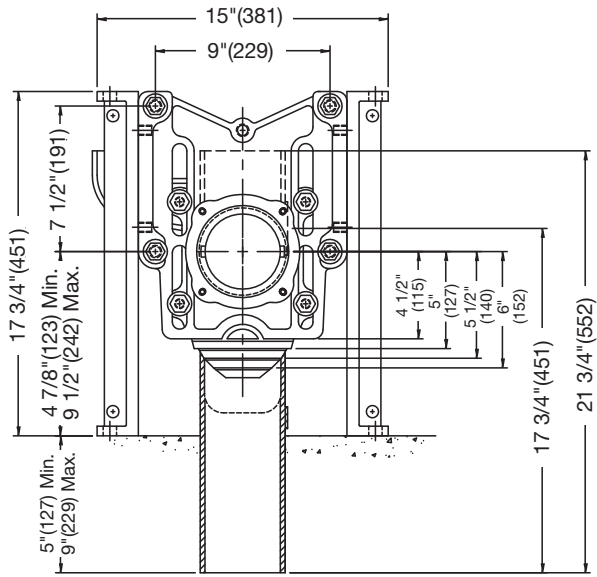
Front View



ISCA-103-D

ISCA-103-L/R

# Industry Standard Water Closet Carriers



**ISCA-123**

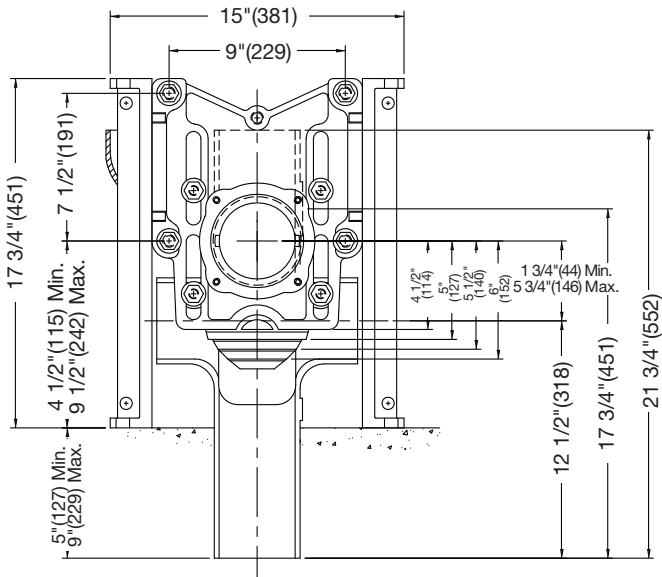
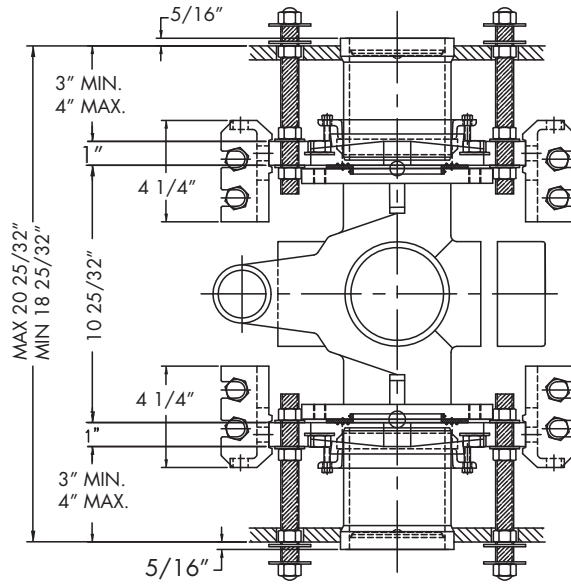
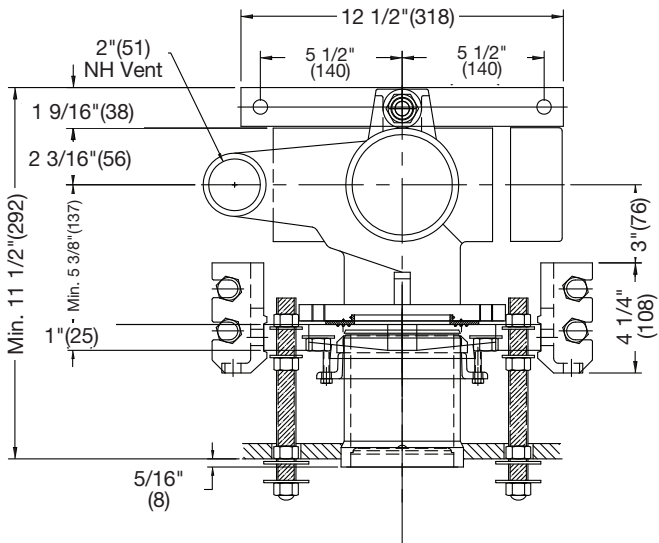
**ISCA-123-D**

Consult factory for all pricing and applications outside of listed parameters.

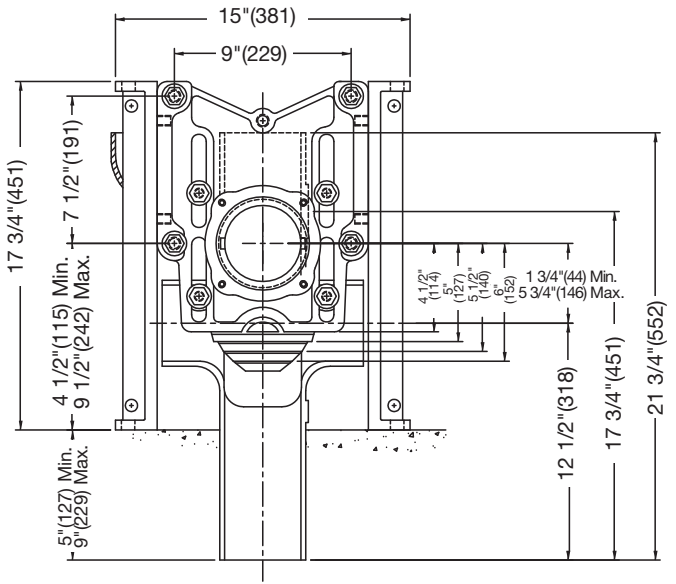
Prices do not include applicable taxes.



# Industry Standard Water Closet Carriers



**ISCA-133-L/R**



**ISCA-133-D**



Consult factory for all pricing and applications outside of listed parameters.  
Prices do not include applicable taxes.

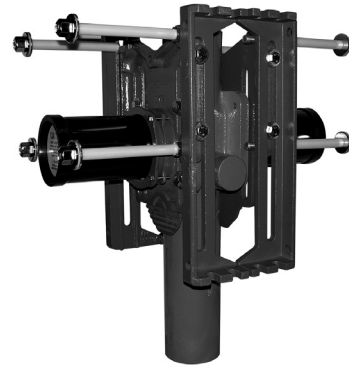
# Industry Standard Thin Wall Water Closet Carriers

## ISCA-141 Thin Wall 500 lb. Closet Carrier

Model Number	Wt. Lbs.	Description	List Price
ISCA-141-3	52	3" Waste, 2" Vent	\$1,939.00
ISCA-141-4-V2	62	4" Waste, 2" Vent	1,939.00
ISCA-141-4-V4	62	4" Waste, 4" Vent	1,939.00
ISCA-141-4-D-V2	94	Back-to-Back, 4" Waste, 2" Vent	3,318.00
ISCA-141-4-D-V4	94	Back-to-Back, 4" Waste, 4" Vent	3,318.00



ISCA-141



ISCA-141-D

## ISCA-151 Thin Wall 500 lb. Offset Closet Carrier

Model Number	Wt. Lbs.	Description	List Price
ISCA-151-L	72	Single - Left Hand	\$1,939.00
ISCA-151-R	72	Single - Right Hand	1,939.00
ISCA-151-D	107	Back-to-Back	3,318.00



ISCA-151



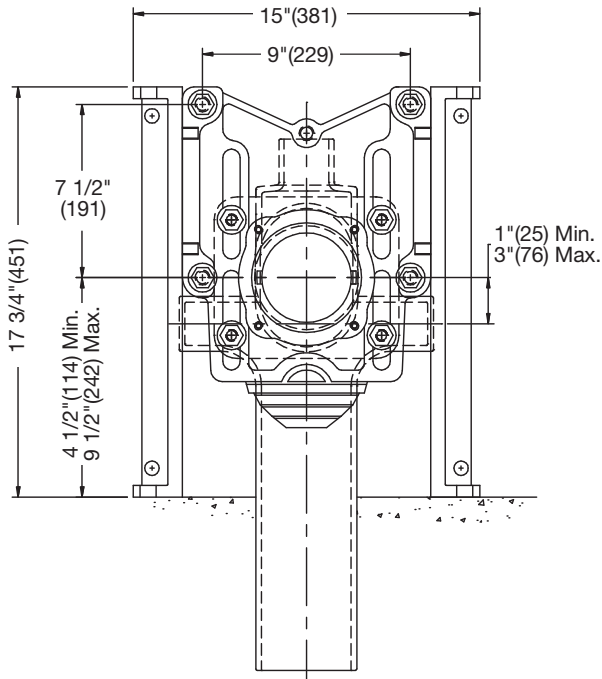
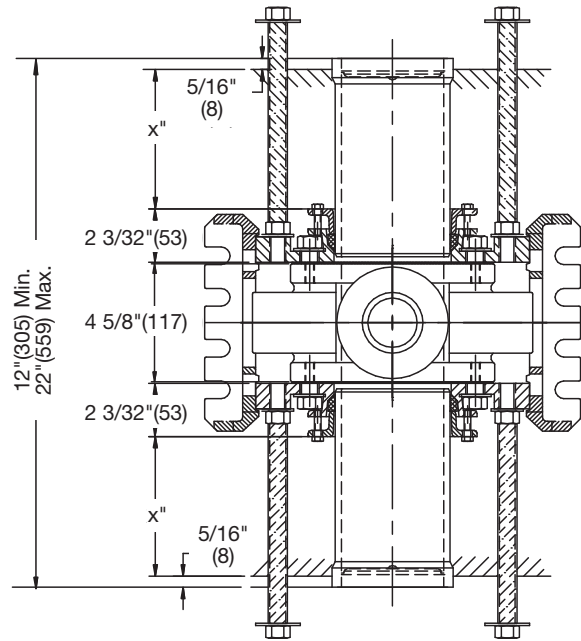
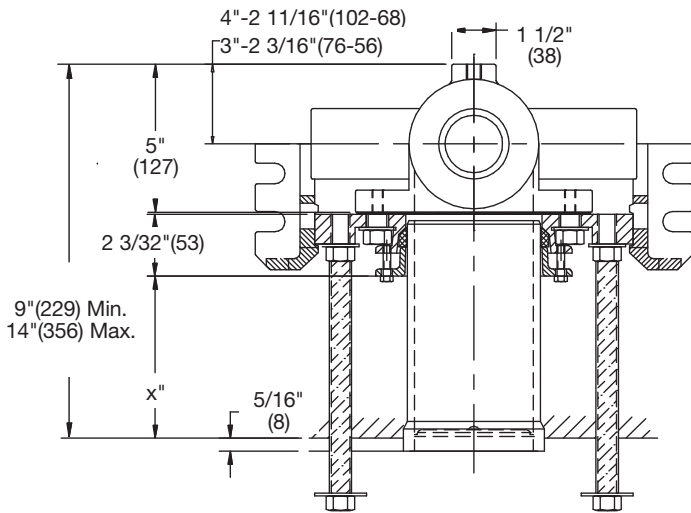
ISCA-151-D

Consult factory for all pricing and applications outside of listed parameters.  
Prices do not include applicable taxes.

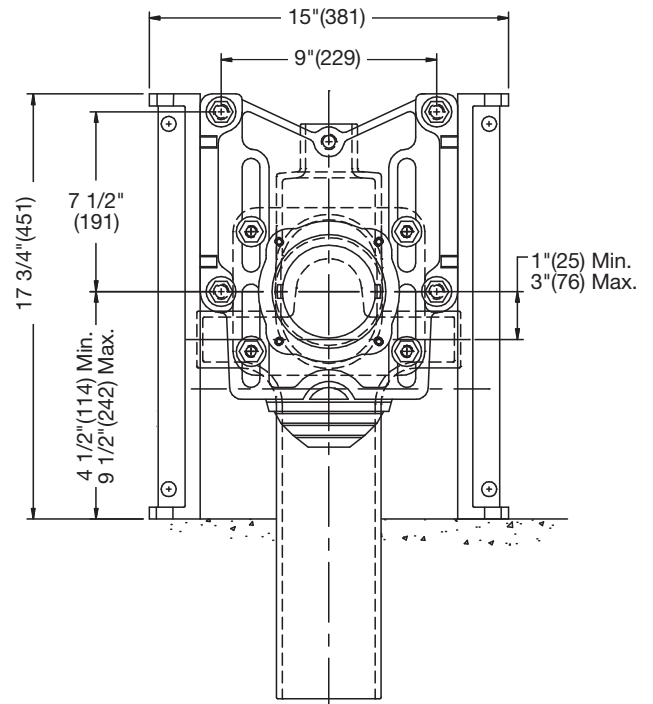




# Industry Standard Thin Wall Water Closet Carriers

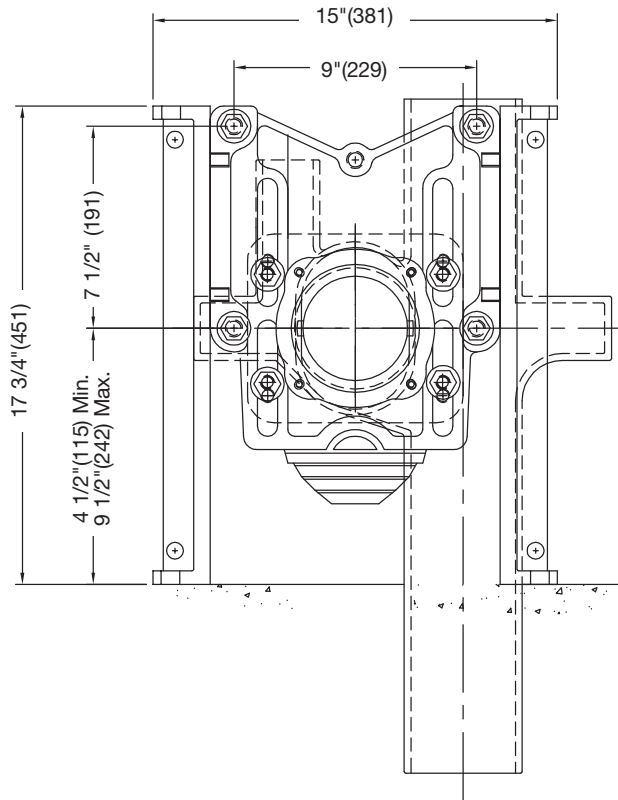
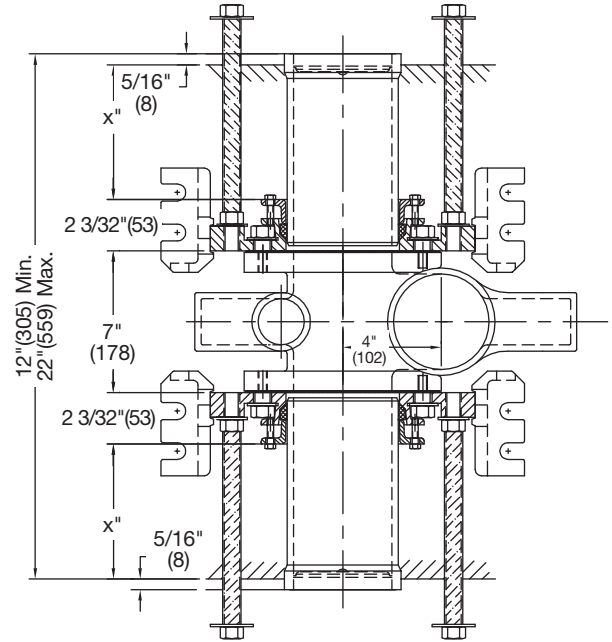
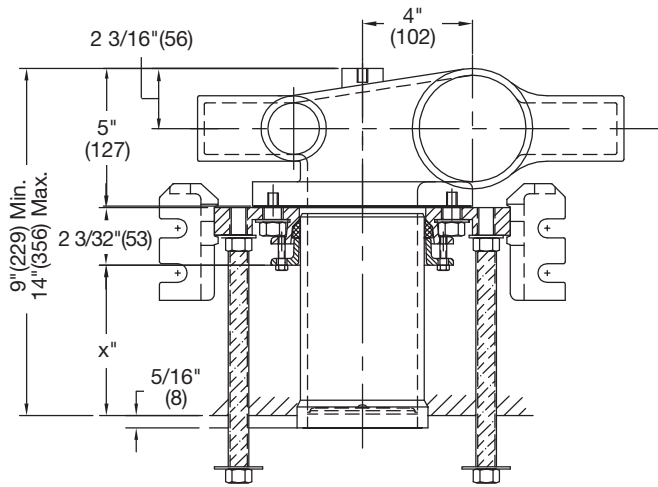


**ISCA-141**

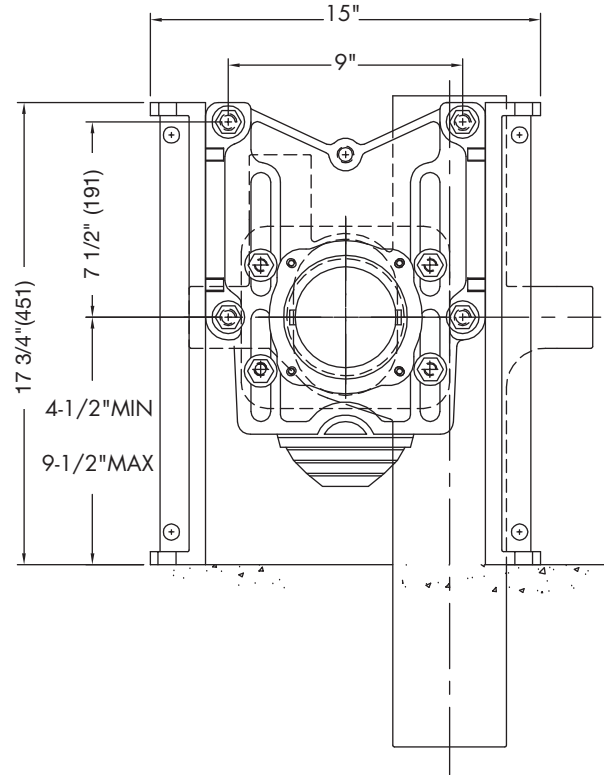


**ISCA-141-D**

# Industry Standard Thin Wall Water Closet Carriers



ISCA-151



ISCA-151-D

Consult factory for all pricing and applications outside of listed parameters.

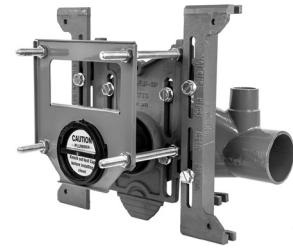
Prices do not include applicable taxes.



# QT QuickTurn™ Water Closet Carriers

## QT-101 Horizontal Adjustable 500 lb. Closet Carrier

Model Number	Wt. Lbs.	Description	List Price
QT-101-L	66	Single Horizontal - Left Hand	\$2,315.00
QT-101-R	66	Single Horizontal - Right Hand	2,315.00
QT-101-L-AUX	67	Single Horizontal - LH - 2" Aux Conn.	2,935.00
QT-101-R-AUX	67	Single Horizontal - RH - 2" Aux Conn.	2,935.00
QT-101-D	122	Back-to-Back Horizontal	4,329.00



QT-101-L



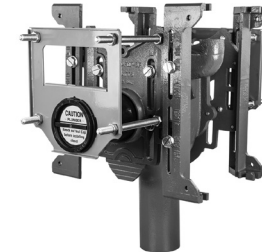
QT-101-D

## QT-121 Vertical Adjustable 500 lb. Closet Carrier

Model Number	Wt. Lbs.	Description	List Price
QT-121	81	Single Vertical	\$2,628.00
QT-121-D	132	Back-to-Back Vertical	4,641.00



QT-121



QT-121-D

## QT-131 Vertical Adjustable 500 lb. Closet Carrier with Side Inlet(s)

Model Number	Wt. Lbs.	Description	List Price
QT-131	82	Single Vertical - w/Side Inlet(s)	\$3,072.00
QT-131-D	138	Back to Back Vertical - w/Side Inlet(s)	5,076.00



QT-131



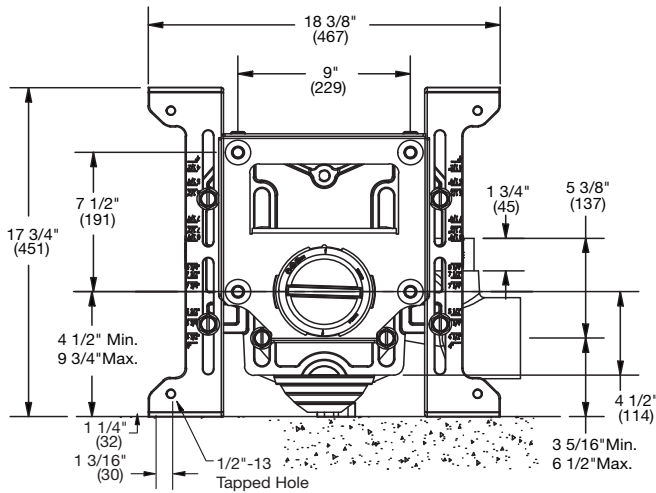
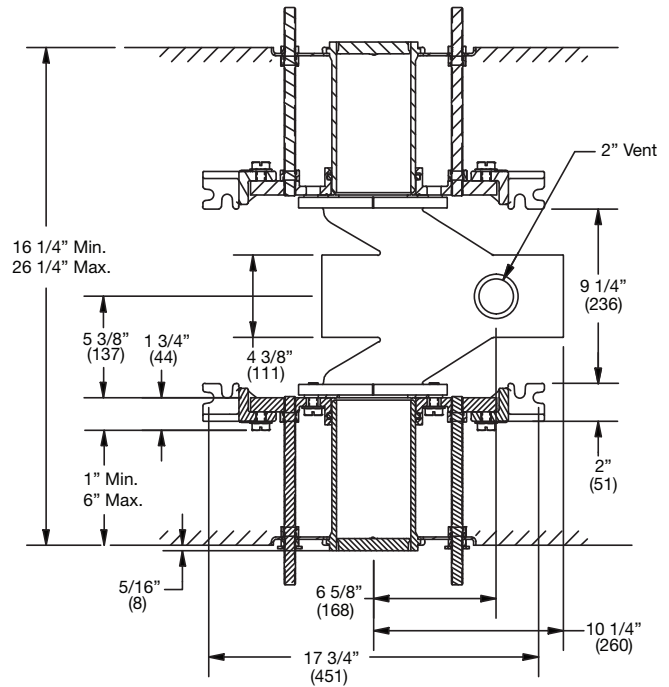
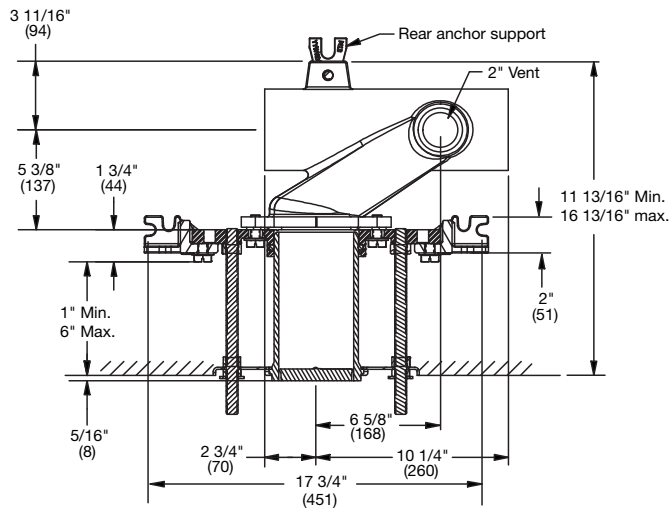
QT-131-D

See Pg. 210 for options & parts for all ISCA & QT models.

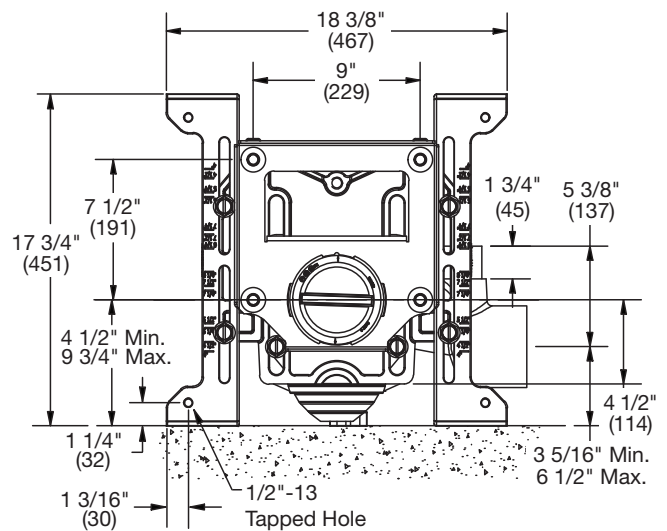
# QT QuickTurn™ Water Closet Carriers

## QT-CFP-5.5/7.5-KIT QT Carrier Trim Kits

Model Number	EDP	Wt. Lbs.	Description	List Price
QT-CFP-5.5-KIT	8200883	44	QT Carrier FP Pack 5.5 HT	\$2,155.00
QT-CFP-7.5 KIT	8200881	44	QT Carrier FP Pack 7.5 HT	2,155.00



QT-101-L/R



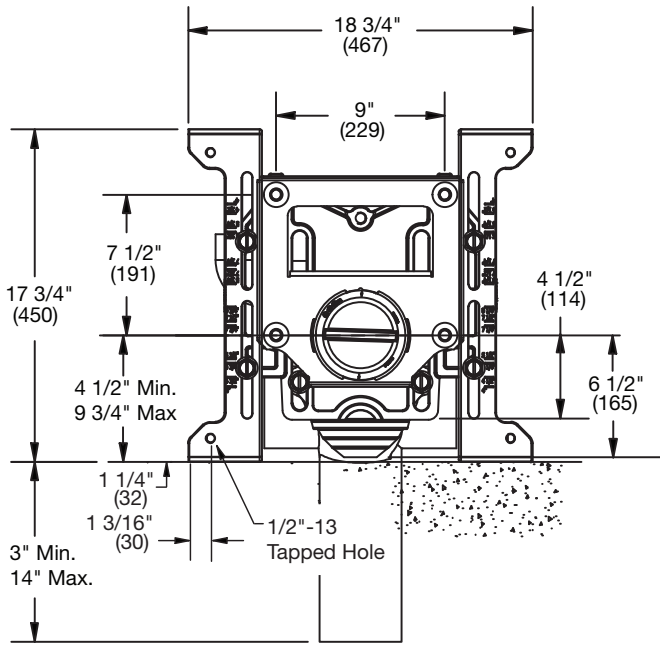
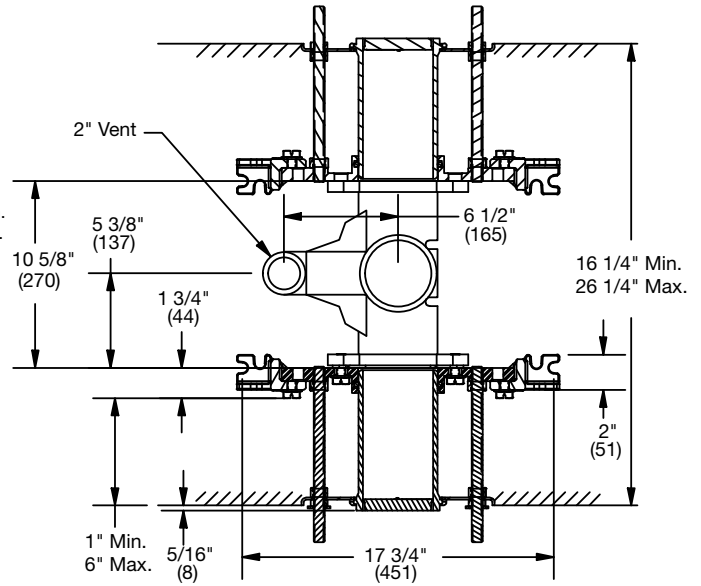
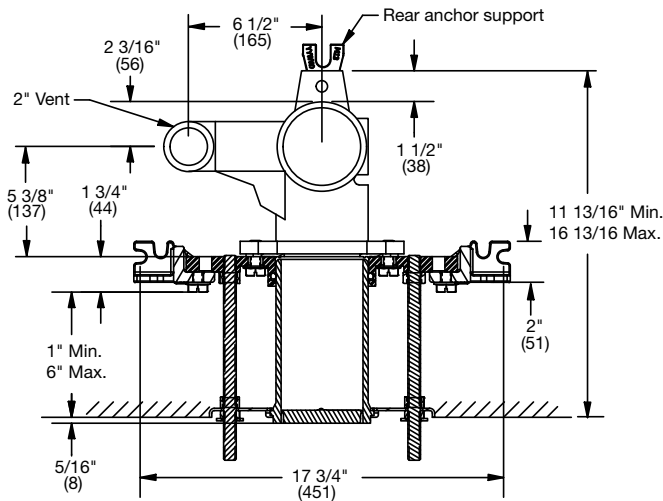
QT-101-D

Consult factory for all pricing and applications outside of listed parameters.

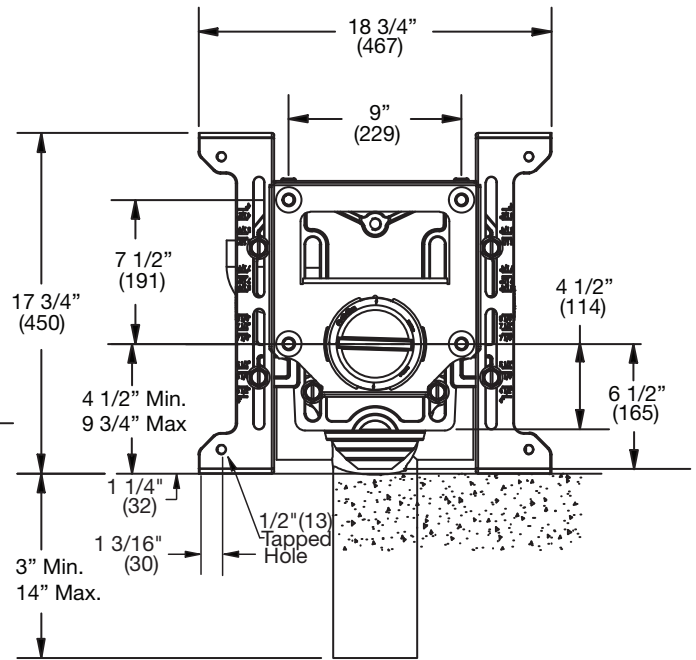
Prices do not include applicable taxes.



# QT QuickTurn™ Water Closet Carriers

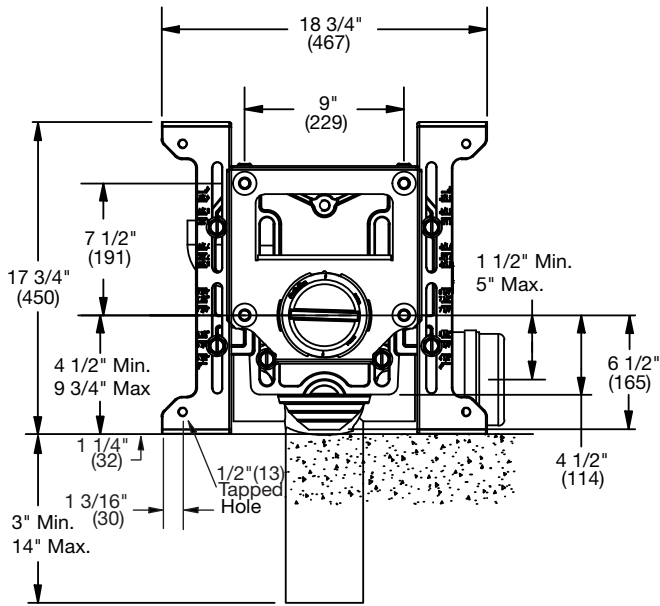
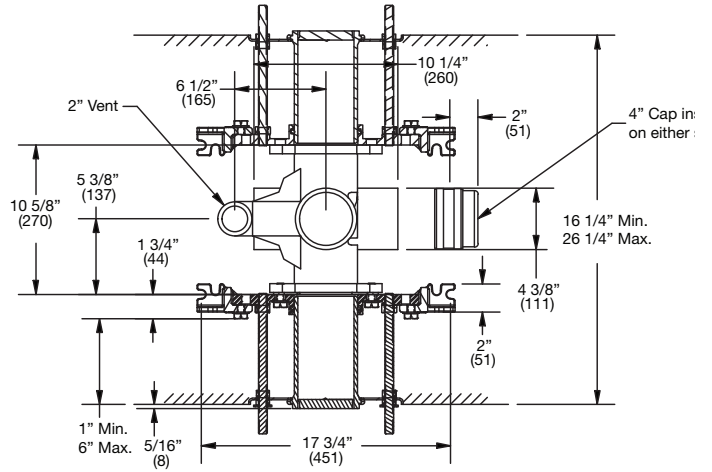
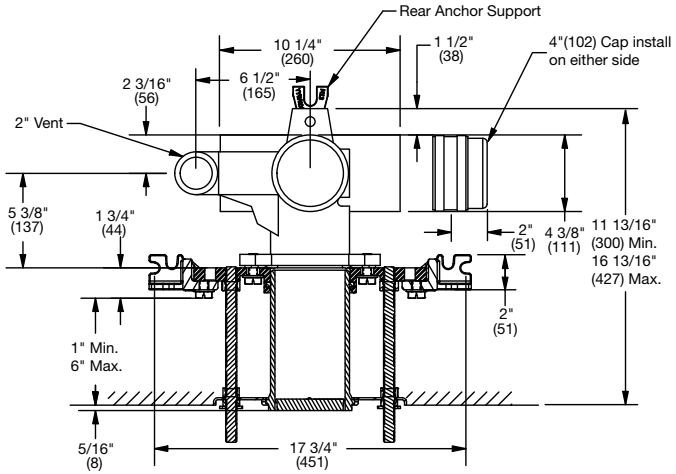


QT-121

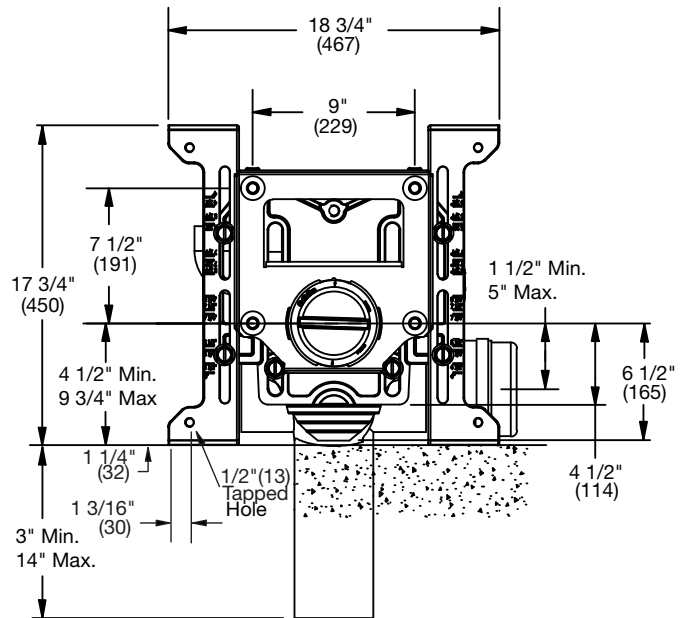


QT-121-D

# QT QuickTurn™ Water Closet Carriers



**QT-131**



**QT-131-D**

Consult factory for all pricing and applications outside of listed parameters.

Prices do not include applicable taxes.



# QT QuickTurn™ Water Closet Carriers

## QT-102

### Horizontal Adjustable 1000 lb. Bariatric Closet Carrier

Model Number	Wt. Lbs.	Description	List Price
QT-102-L	104	Single Horizontal - Left Hand	\$5,810.00
QT-102-R	104	Single Horizontal - Right Hand	5,810.00
QT-102-D	198	Back-to-Back Horizontal	11,202.00



QT-102-L



QT-102-D

## QT-122

### Vertical Adjustable 1000 lb. Bariatric Closet Carrier

Model Number	Wt. Lbs.	Description	List Price
QT-122	119	Single Vertical	\$6,394.00
QT-122-D	208	Back-to-Back Vertical	12,324.00



QT-122



QT-122-D

## QT-132

### Vertical Adjustable 1000 lb. Bariatric Closet Carrier with Side Inlet(s)

Model Number	Wt. Lbs.	Description	List Price
QT-132	120	Single Vertical w/Side Inlet(s)	\$6,777.00
QT-132-D	214	Back-to-Back Vertical w/Side Inlet(s)	12,698.00



QT-132



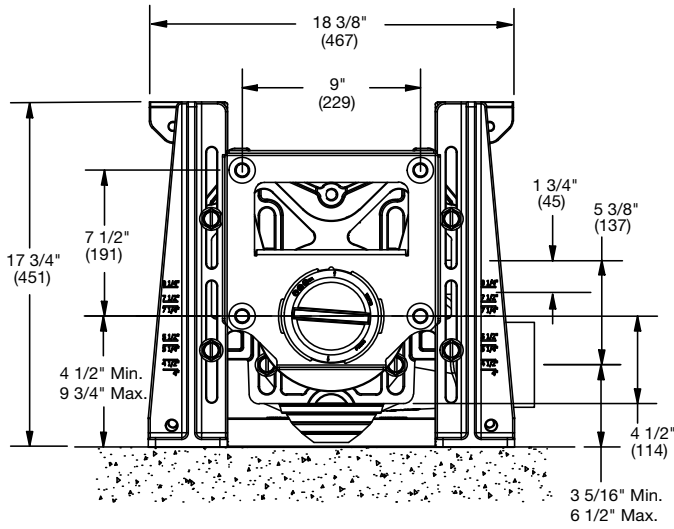
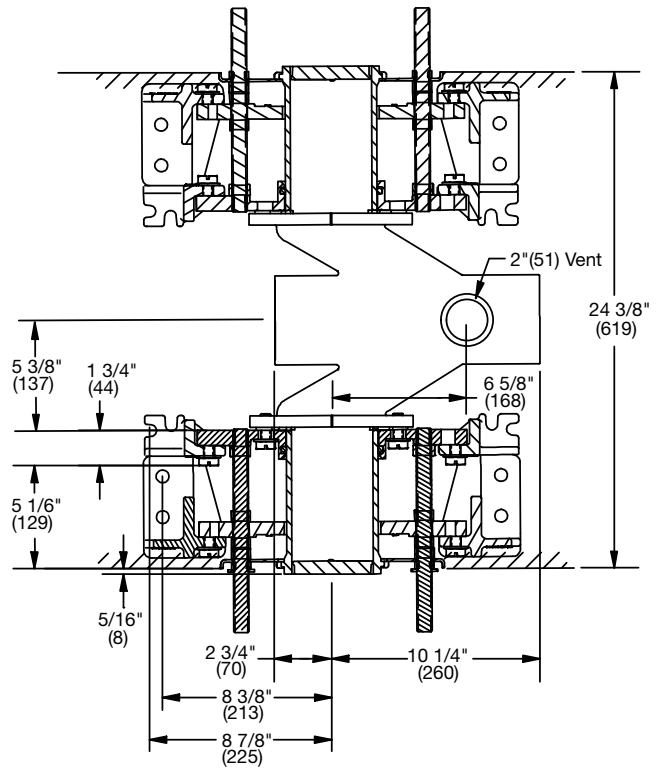
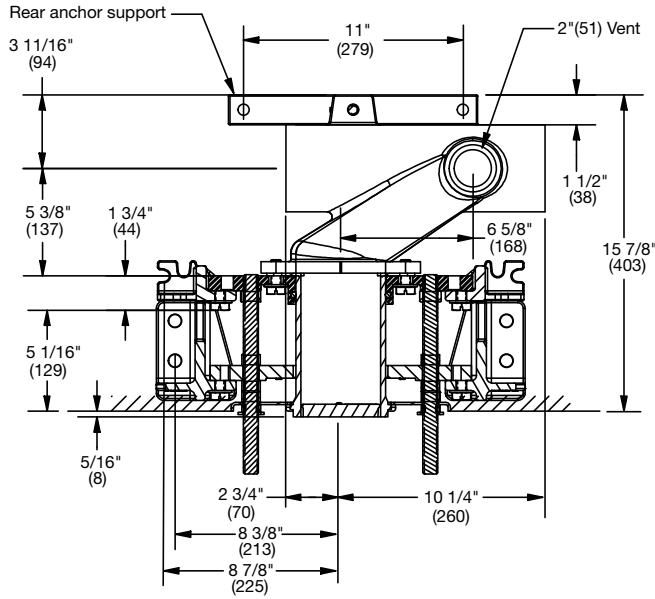
QT-132-D

See Pg. 210 for options & parts for all ISCA & QT models.

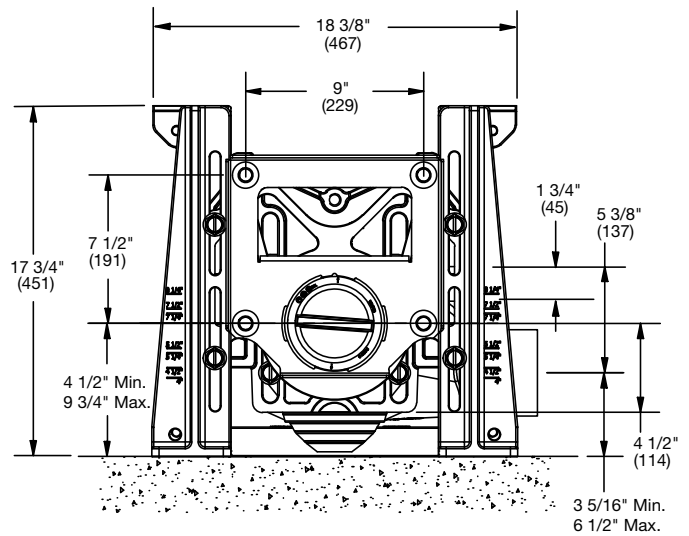


Consult factory for all pricing and applications outside of listed parameters. Prices do not include applicable taxes.

# QT QuickTurn™ Water Closet Carriers



**QT-102-LR**



**QT-102-D**

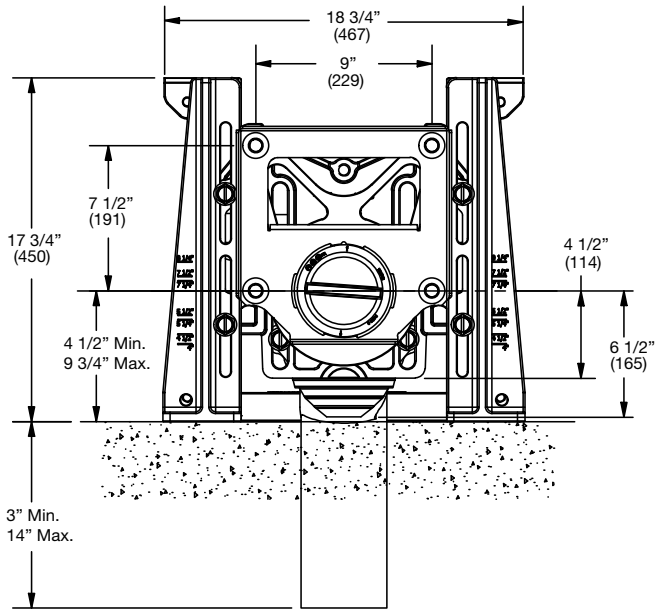
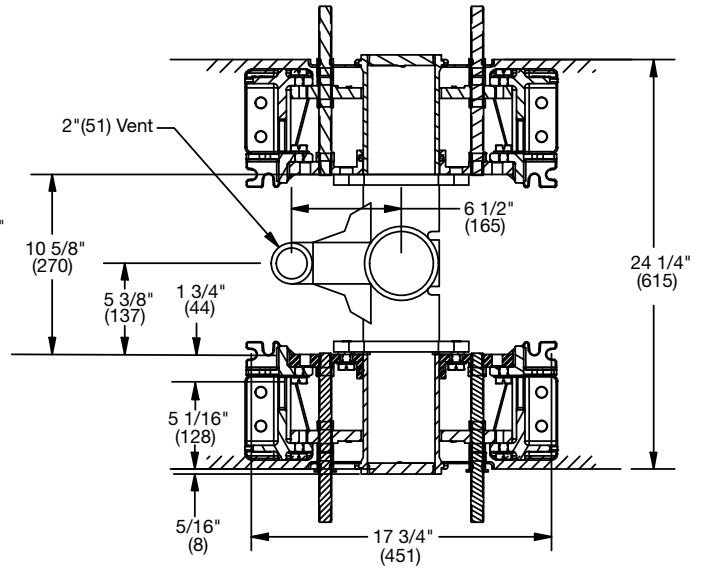
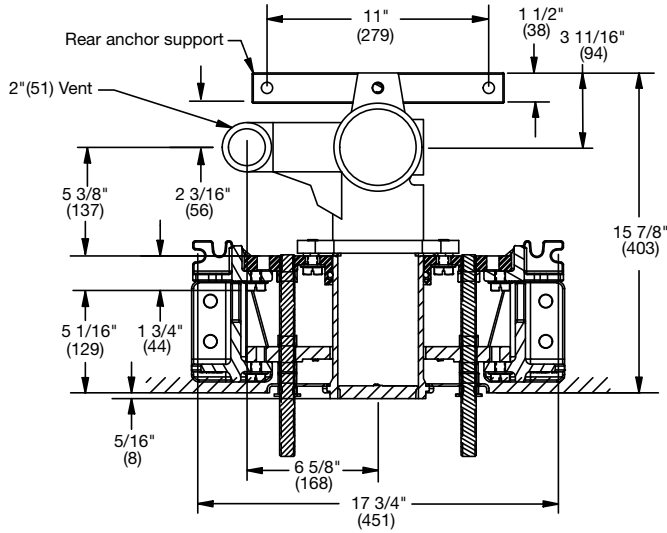
Consult factory for all pricing and applications outside of listed parameters.

Prices do not include applicable taxes.

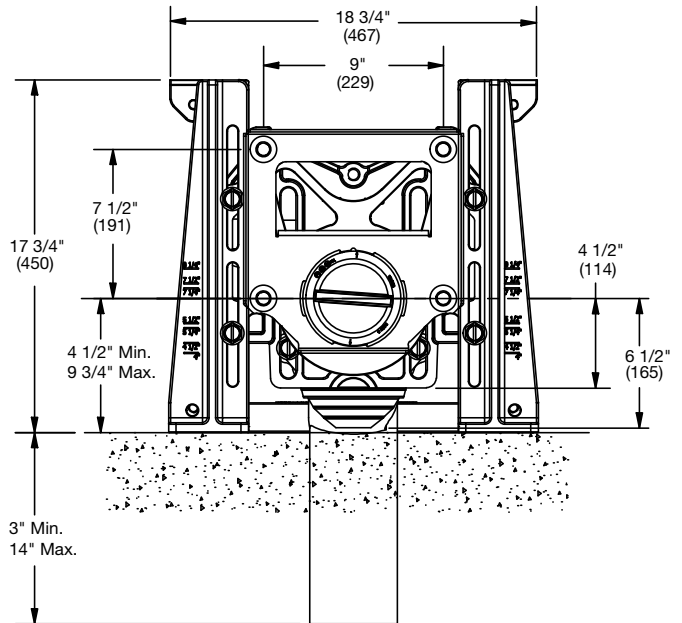




# QT QuickTurn™ Water Closet Carriers

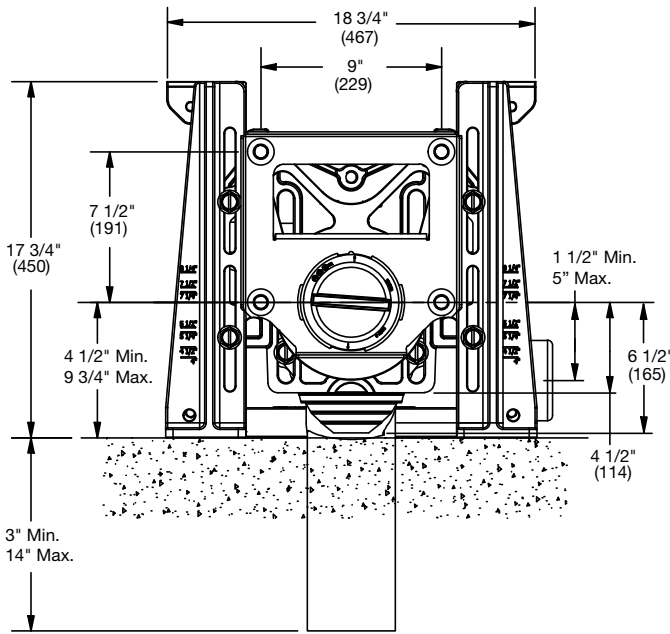
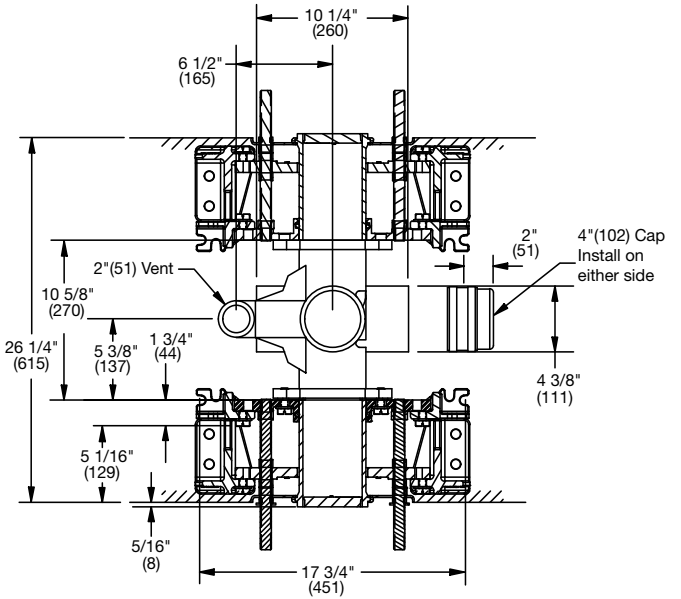
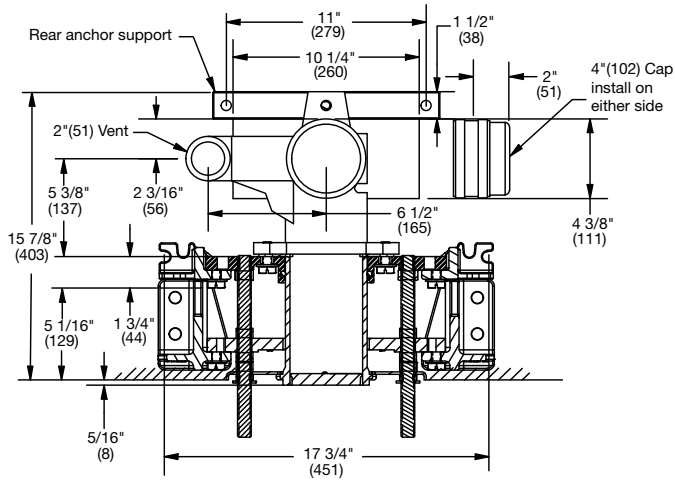


QT-122

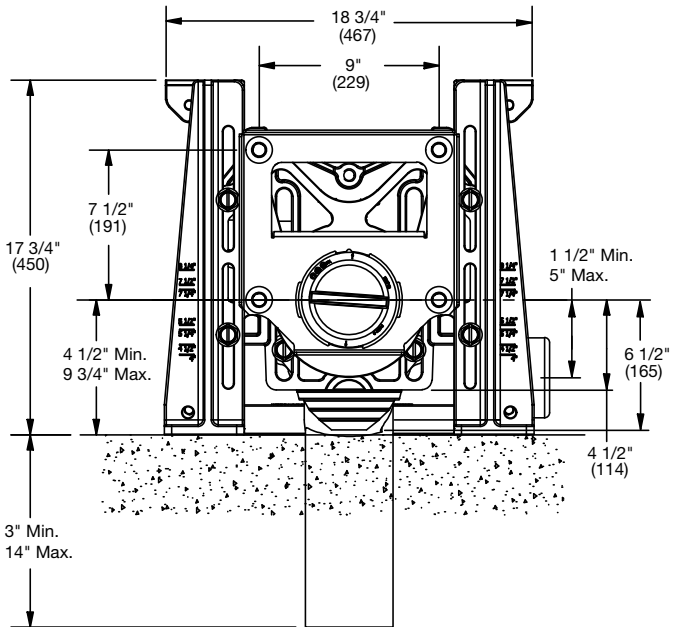


QT-122-D

# QT QuickTurn™ Water Closet Carriers



QT-132



QT-132-D

Consult factory for all pricing and applications outside of listed parameters.

Prices do not include applicable taxes.



# QT QuickTurn™ Water Closet Carriers

## QT-103 Horizontal Adjustable 750 lb. Closet Carrier

Model Number	Wt. Lbs.	Description	List Price
QT-103-L	81	Single Horizontal - Right Hand	\$4,113.00
QT-103-R	81	Single Horizontal - Left Hand	4,113.00
QT-103-D	152	Back-to-Back Horizontal.	7,920.00



QT-103-L



QT-103-D

## QT-123 Vertical Adjustable 750 lb. Closet Carrier

Model Number	Wt. Lbs.	Description	List Price
QT-123	96	Single Vertical	\$5,091.00
QT-123-D	162	Back-to-Back Vertical	9,805.00



QT-123



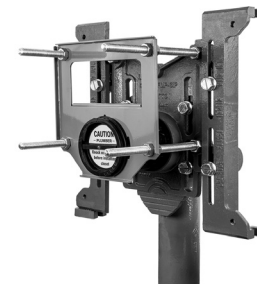
QT-123-D

## QT-133 Vertical Adjustable 750 lb. Closet Carrier with Side Inlet(s)

Model Number	Wt. Lbs.	Description	List Price
QT-133	97	Single Vertical - w/Side Inlet(s)	\$5,030.00
QT-133-D	168	Back to Back Vertical - w/Side Inlet(s)	9,331.00



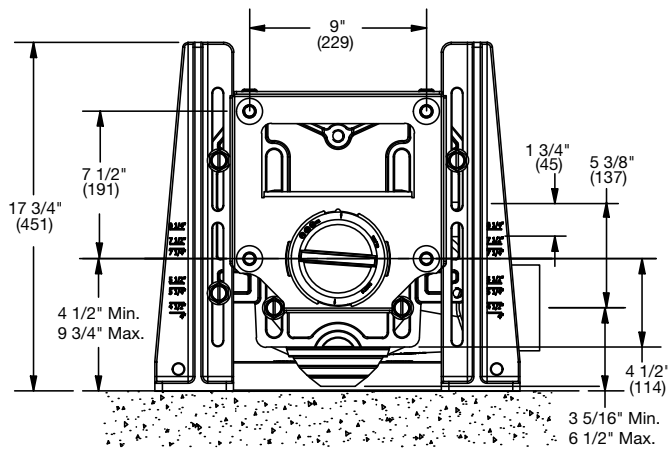
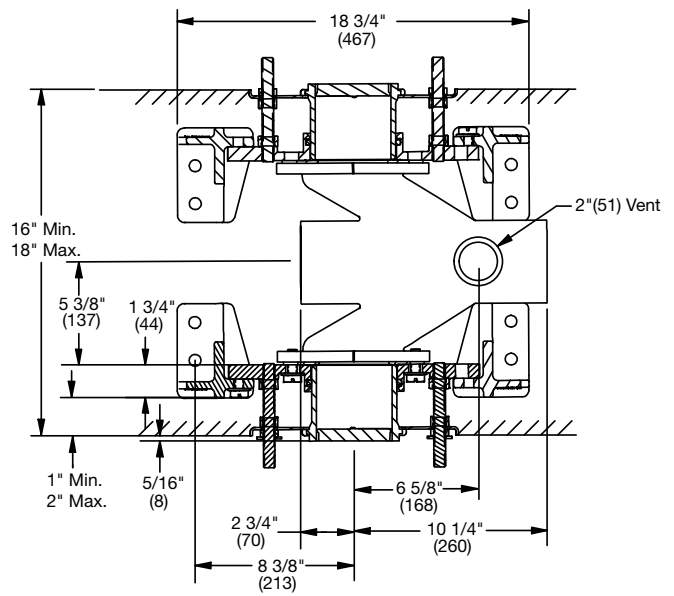
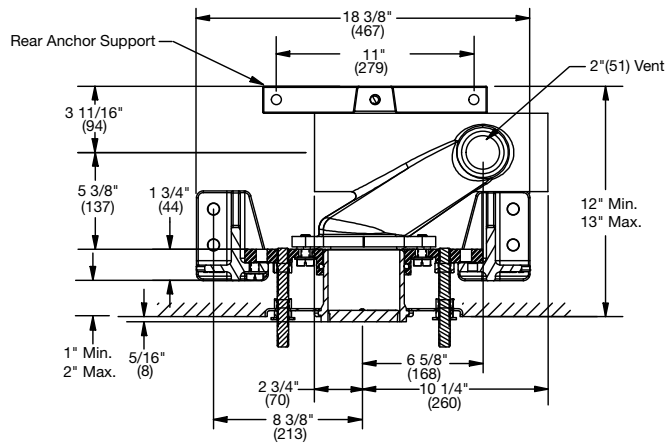
QT-133



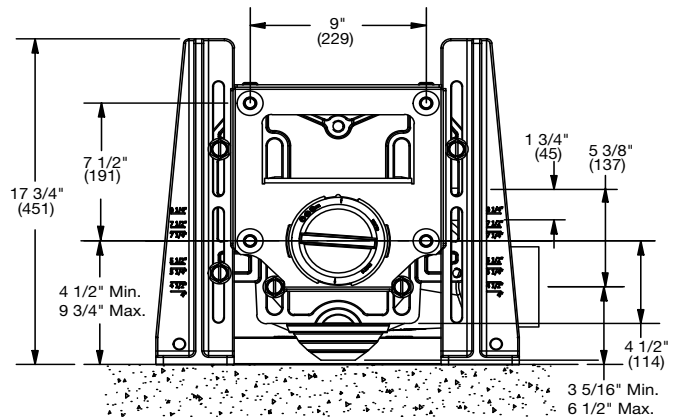
QT-133-D

See Pg. 210 for options & parts for all ISCA & QT models.

# QT QuickTurn™ Water Closet Carriers



**QT-103-L/R**



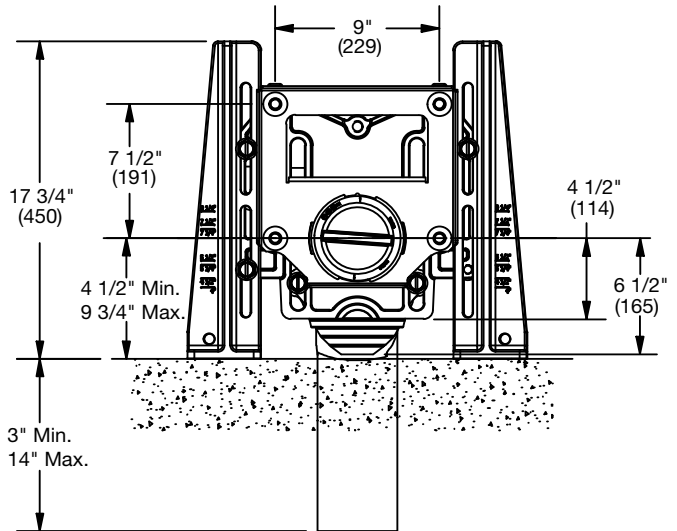
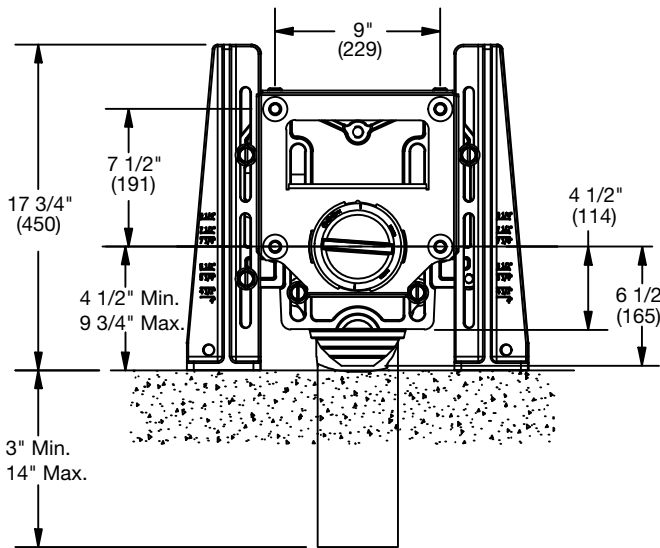
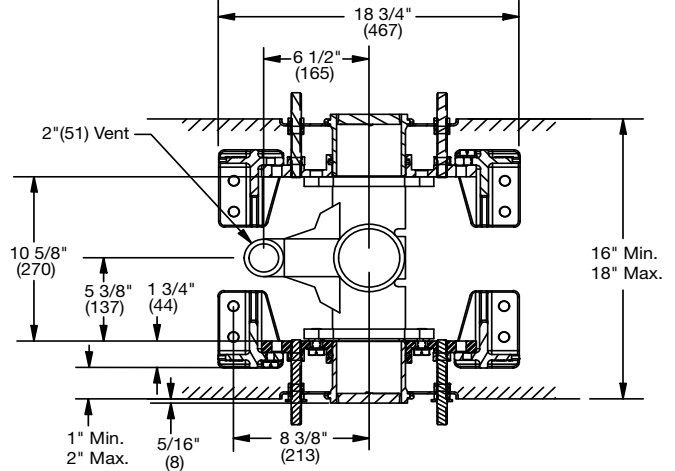
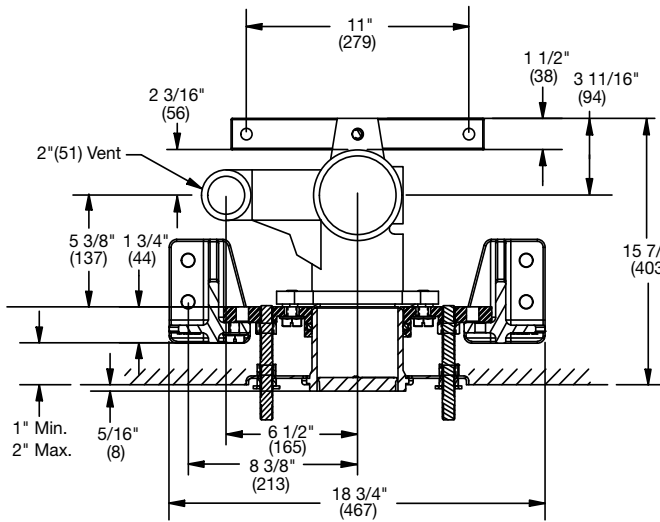
**QT-103-D**

Consult factory for all pricing and applications outside of listed parameters.

Prices do not include applicable taxes.



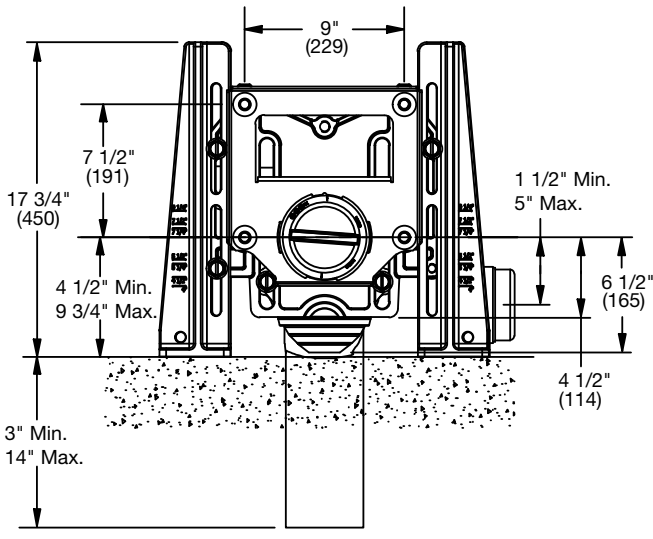
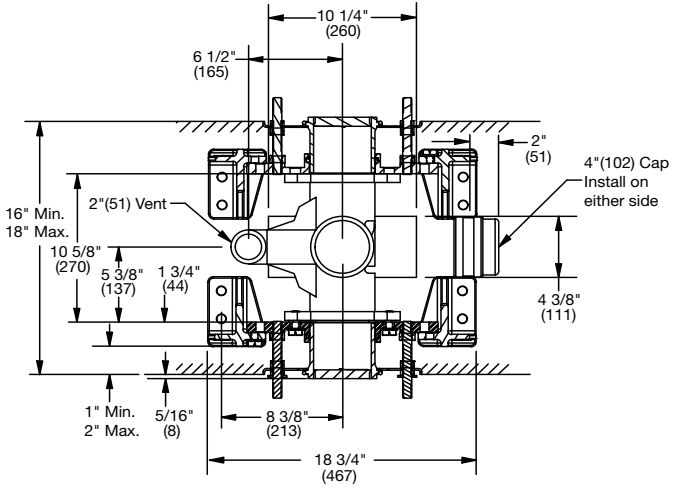
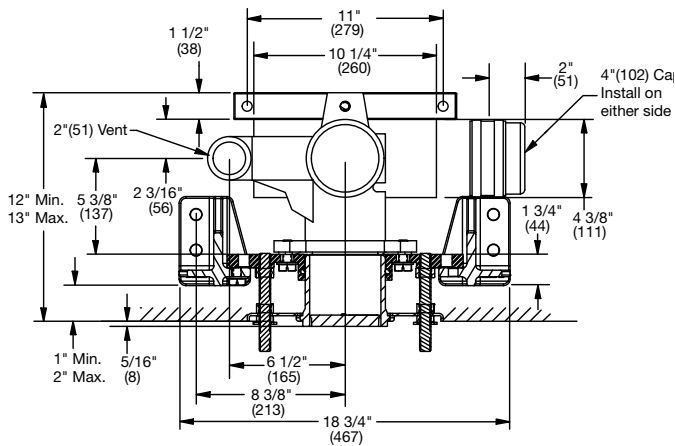
# QT QuickTurn™ Water Closet Carriers



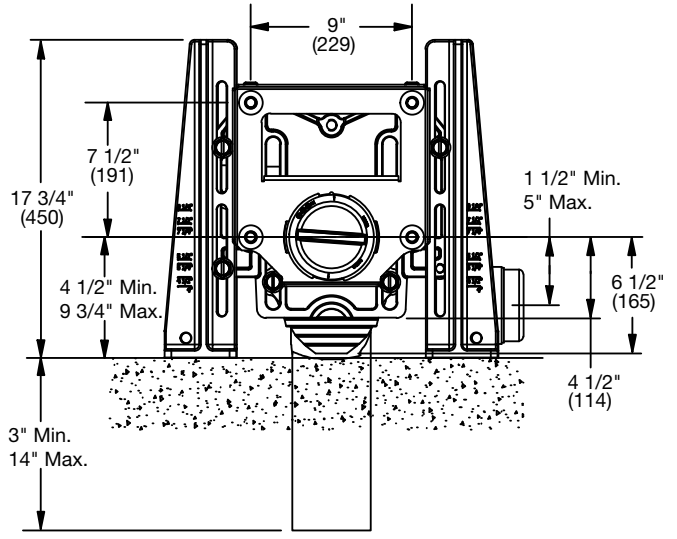
QT-123

QT-123-D

# QT QuickTurn™ Water Closet Carriers



**QT-133**



**QT-133-D**

Consult factory for all pricing and applications outside of listed parameters.

Prices do not include applicable taxes.



# QT QuickTurn™ Thin Wall Water Closet Carriers

## QT-141 Thin Wall 500 lb. Closet Carrier

Model Number	Wt. Lbs.	Description	List Price
QT-141-3	76	3" Waste, 2" Vent	\$1,874.00
QT-141-4-V2	76	4" Waste, 2" Vent	1,874.00
QT-141-4-V4	76	4" Waste, 4" Vent	1,874.00
QT-141-4-D-V2	120	Back-to-Back, 4" Waste, 2" Vent	3,207.00
QT-141-4-D-V4	127	Back-to-Back, 4" Waste, 4" Vent	3,207.00



QT-141-3



QT-141-4-D-V2

## QT-151 Thin Wall 500 lb. Offset Closet Carrier

Model Number	Wt. Lbs.	Description	List Price
QT-151-L	77	Single - Left Hand	\$2,259.00
QT-151-R	77	Single - Right Hand	2,259.00
QT-151-D	128	Back to Back	3,864.00



QT-151-L



QT-151-D

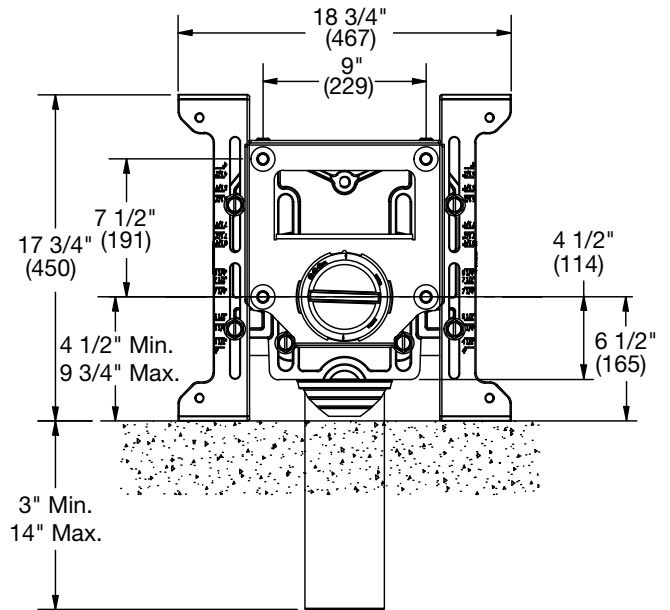
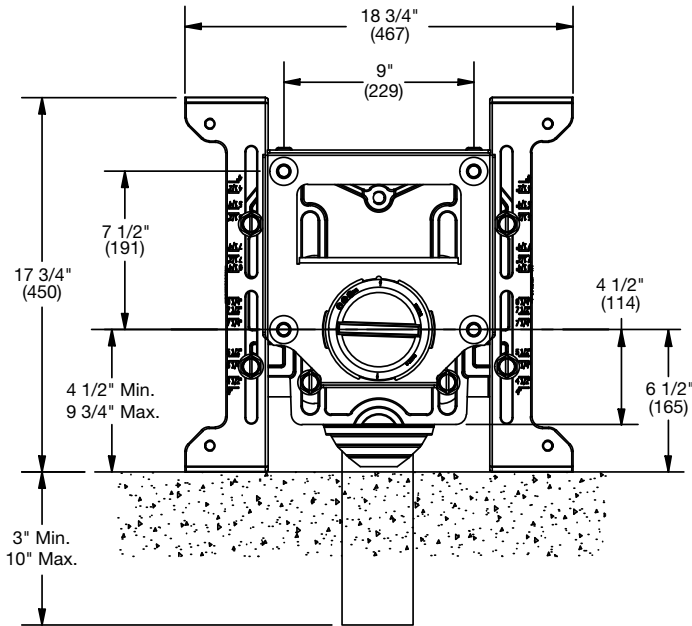
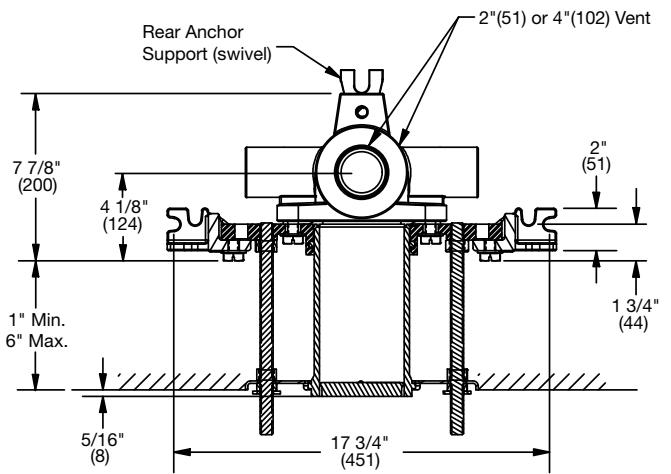
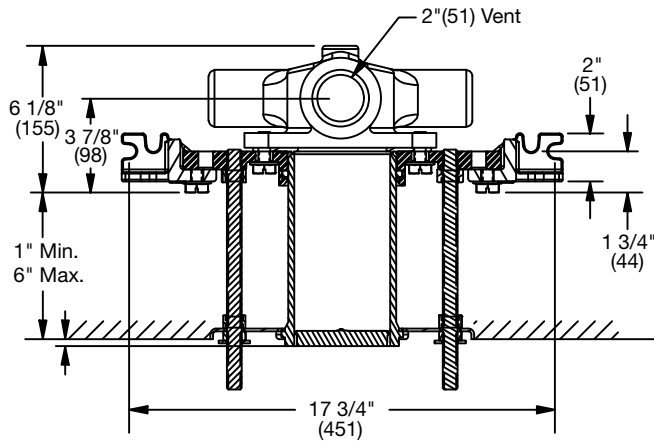
## QT-161-L/R Thin Wall 500 lb. Horizontal Closet Carrier

Model Number	Wt. Lbs.	Description	List Price
QT-161-L	78	Single - Left Hand	\$2,372.00
QT-161-R	78	Single - Right Hand	2,372.00



QT-161-L

# QT QuickTurn™ Water Closet Carriers



QT-141-3

QT-141-4

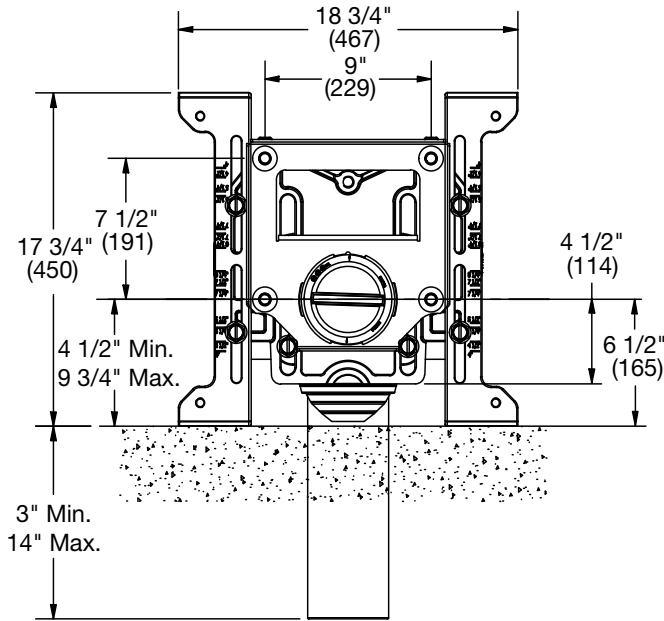
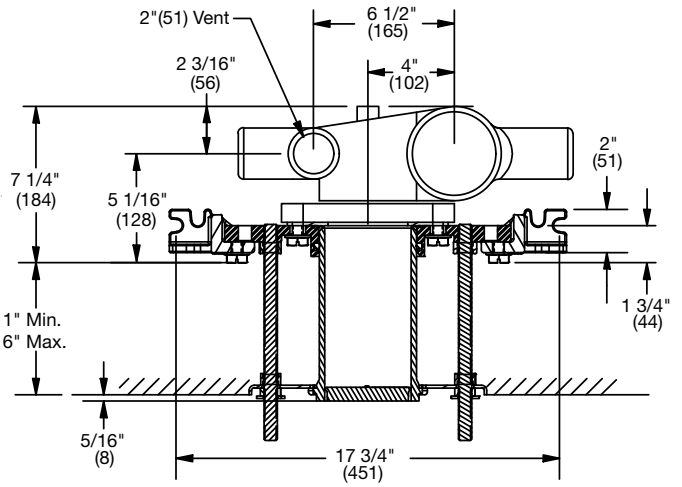
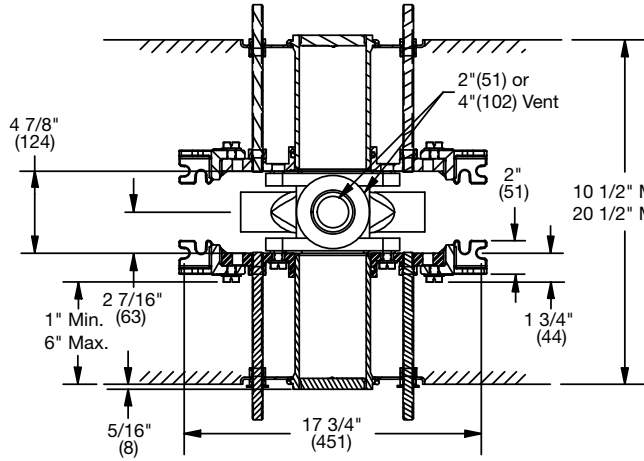
Consult factory for all pricing and applications outside of listed parameters.

Prices do not include applicable taxes.

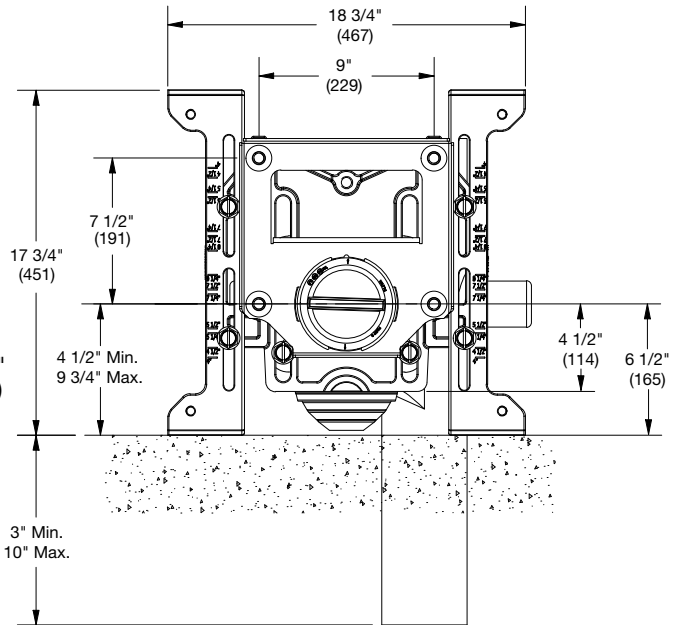




# QT QuickTurn™ Water Closet Carriers

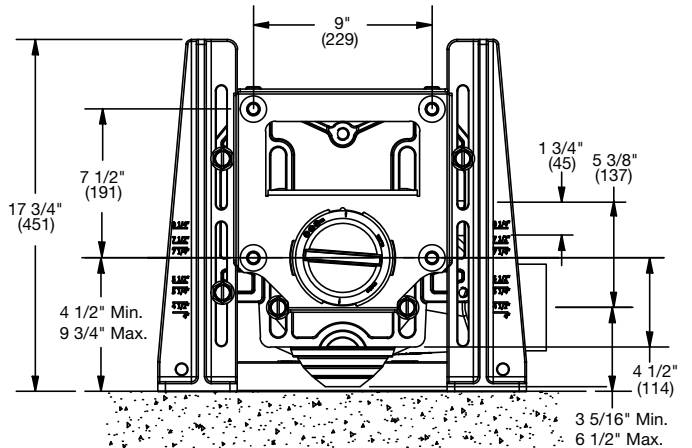
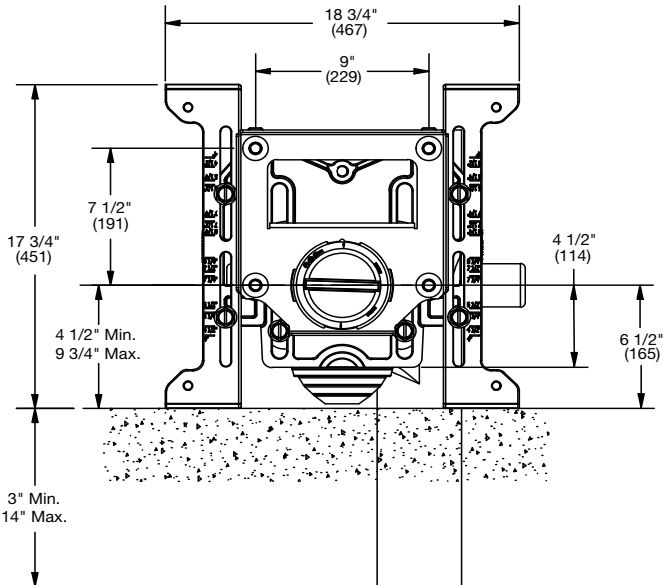
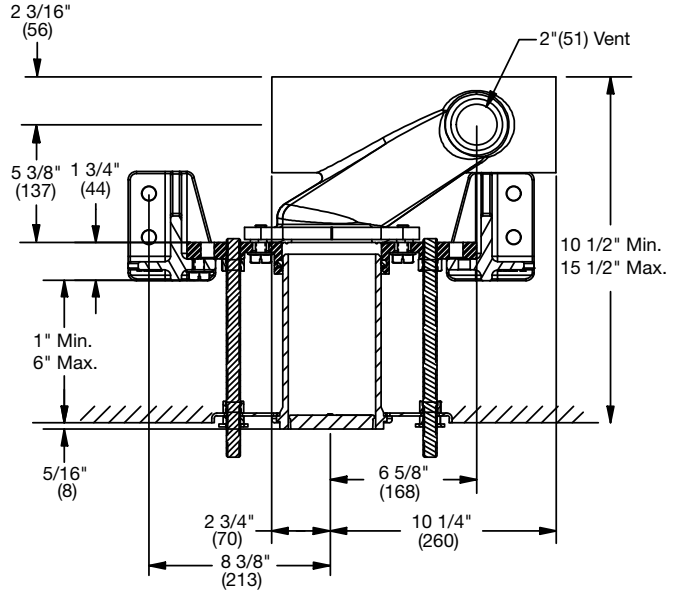
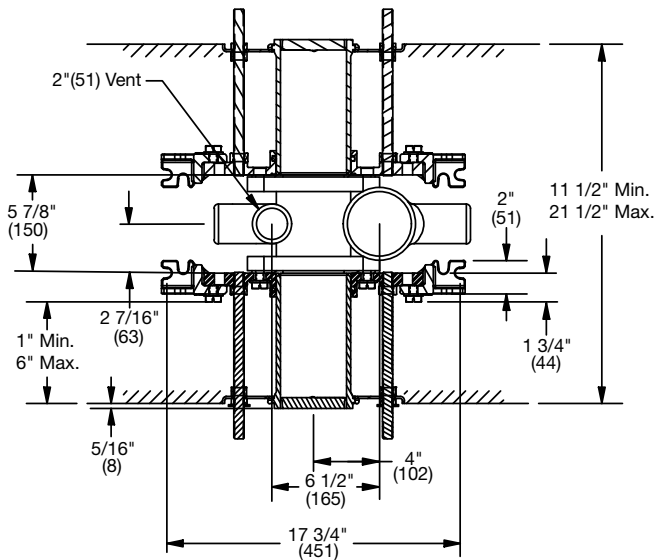


QT-141-4-D



QT-151-L/R

# QT QuickTurn™ Water Closet Carriers



QT-151-D

QT-161-L/R

Consult factory for all pricing and applications outside of listed parameters.

Prices do not include applicable taxes.



# Fixture Carriers

## Wall Hung Fixture Carriers

Wall hung fixture carriers provide structural support for off-the-floor lavatories, urinals, water coolers, and service sinks. Floor mounted carriers are anchored to the structural floor, and work independently of the wall structure. Wall mounted carriers may be suitable in some light commercial or residential applications, provided they are securely fastened to a suitable structural wall.

### Lavatory Carriers

Floor mounted lavatory carriers are recommended for installation of all wall hung lavatories. Lavatories attached to a wall with only a fixture mounting bracket will eventually become unstable, causing damage to the wall, and creating a hazardous condition.

Lavatories are most commonly designed for installation with a concealed arm carrier. Concealed arm carriers have supporting arms that extend through cavities in the back of the fixture, and are entirely hidden by the lavatory and the wall. For aesthetic reasons, concealed arm carriers are preferred in commercial construction.

Watts patented TCA-411 "Track" Lavatory Concealed Arm Carriers are specifically designed for block wall construction. In commercial construction, floor mounted lavatory carriers are typically mounted behind a block wall. Standard TCA-411 nipples extend through the wall, and arms adjust horizontally, with the carrier anchored to the floor. These unique features greatly reduce installation time and labor in block wall construction.

Less common plate type or exposed arm carriers may be required for specific lavatories. Plate type carriers bolt directly to the fixture mounting bracket. Exposed arm carriers are designed with L-shaped support brackets, which extend from the carrier, and bolt to the underside of the fixture.

### Urinal & Water Cooler Carriers

Urinal and water coolers are floor mounted plate type carriers, recommended for all commercial construction. These carriers bolt directly to the fixture mounting bracket(s), and are entirely concealed by the fixture and the wall.

### Service Sink Carriers

Service sink carriers are specified in clinical applications, to support flushing rim, or surgical scrub sinks. Similar in function to water closet carriers, service sink carriers provide structural support, and facilitate a connection to the waste line.

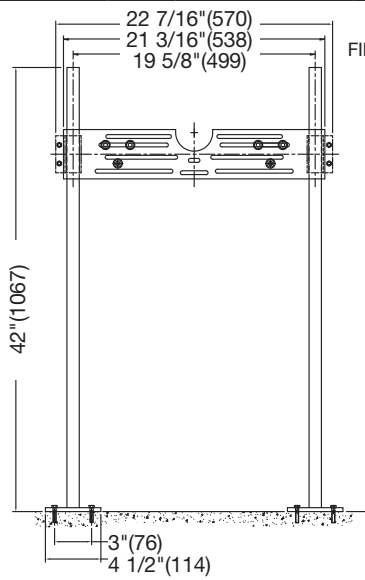


# Lavatory/Urinal Carriers

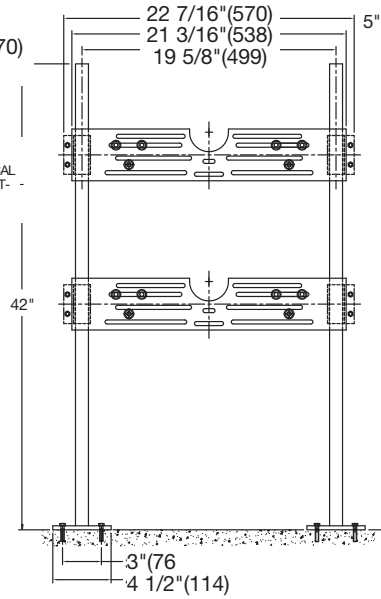
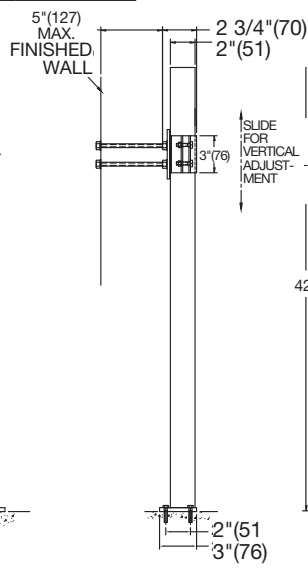
CA-311, 321

Urinal Carriers

Model Number	Wt. Lbs.	Description	List Price
CA-311	26	Single Plate	\$1,004.00
CA-321	26	with Bearing Plate	1,119.00



CA-311

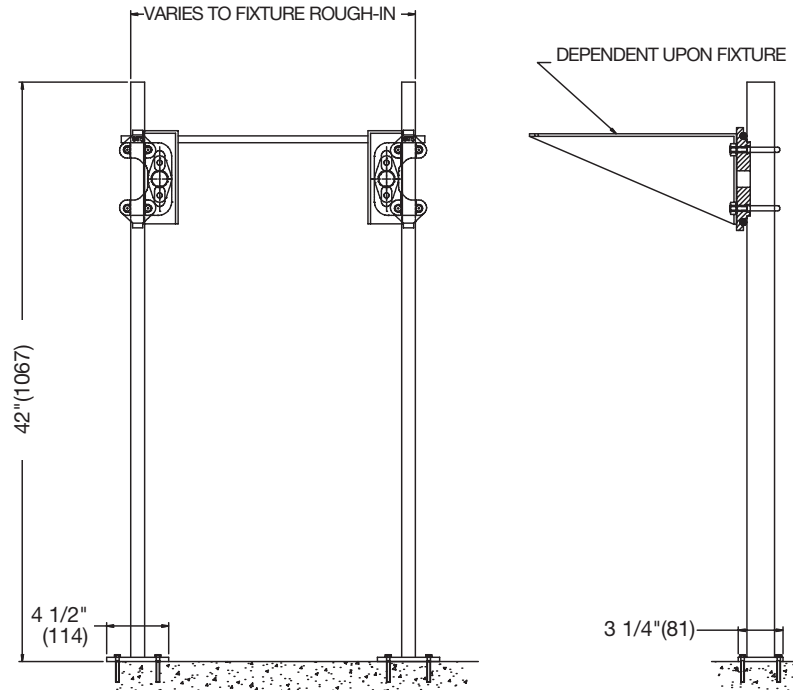


CA-321

CA-401

Floor Mounted Lavatory Carrier with Exposed Arms

Model Number	Description	List Price
CA-401	Single, Exposed Arms	CF**



Consult factory for all pricing and applications outside of listed parameters.

Prices do not include applicable taxes.



# Lavatory Carriers

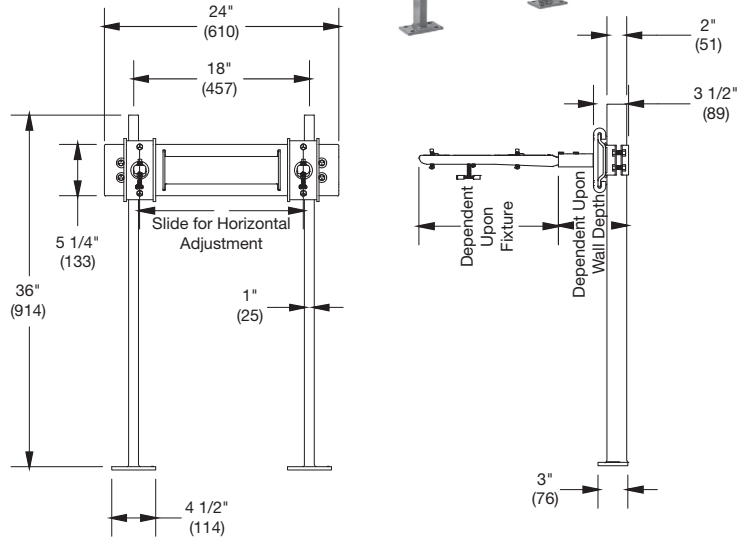
## TCA-411

## Floor Mounted "Track" Lavatory Carrier w/Concealed Arms

Model Number	Wt., Lbs.	Description	List Price
TCA-411	35	Single, Concealed Arms	\$1,650.00
TCA-411-D	60	Back to Back, Concealed Arms	2,410.00
TCA-411-WC	37	Single, Concealed Arms, 27 x 20 Lavatory	1,410.00
TCA-411-D-WC	64	Double, Concealed Arms, 27x20 Lavatory	2,058.00

### Options for TCA-411

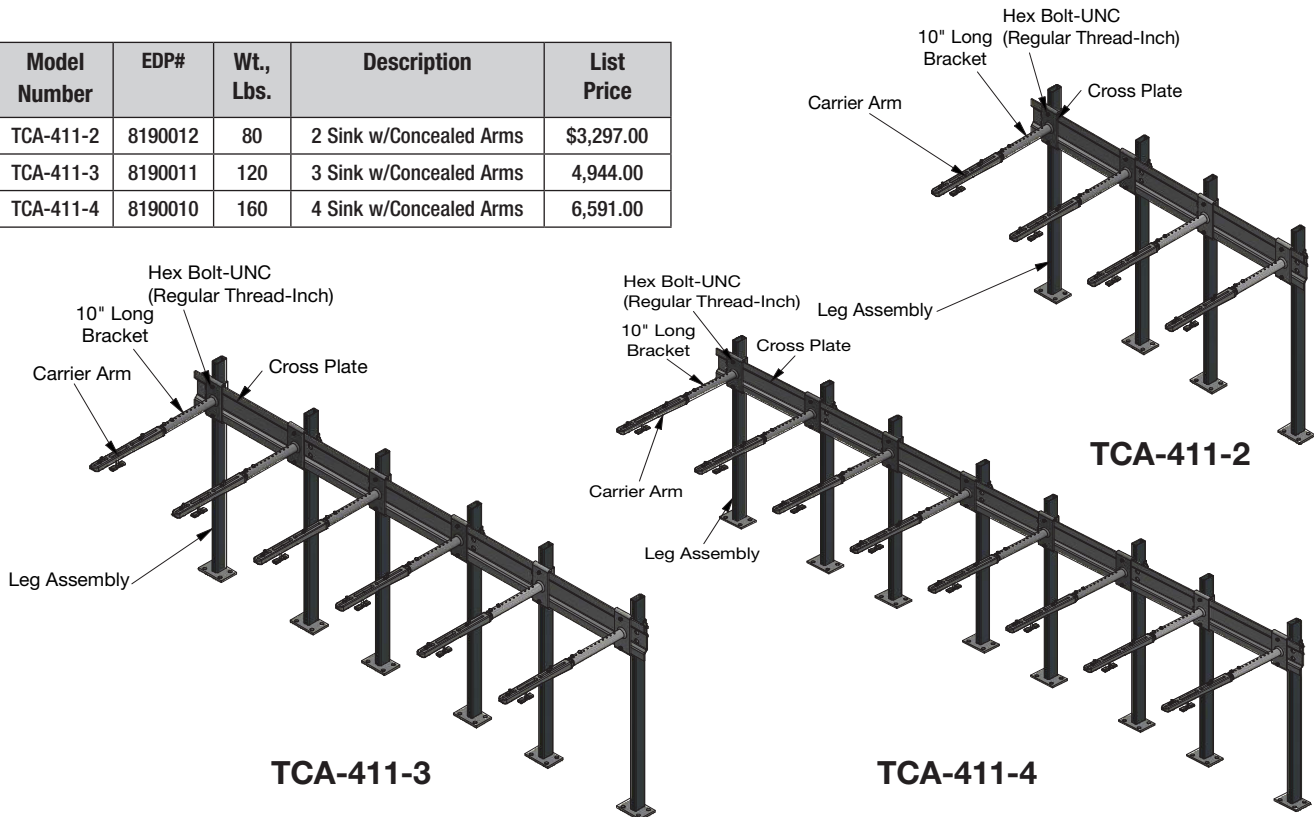
Suffix	Description	List Price
-CI	Arms for Cast Iron Lavatory	No Add
-M54	2" Chrome Plated Escutcheons, Single	\$220.50
	2" Chrome Plated Escutcheons, Double	439.00
-M55	4" Chrome Plated Escutcheons, Single	399.50
	4" Chrome Plated Escutcheons, Double	798.00
-M60	Valve Support Plate, Single	201.00
	Valve Support Plate Double	398.50



## TCA-411-2/3/4

## Floor Mounted "Track" Extended Lavatory Carrier with Concealed Arms

Model Number	EDP#	Wt., Lbs.	Description	List Price
TCA-411-2	8190012	80	2 Sink w/Concealed Arms	\$3,297.00
TCA-411-3	8190011	120	3 Sink w/Concealed Arms	4,944.00
TCA-411-4	8190010	160	4 Sink w/Concealed Arms	6,591.00



Consult factory for all pricing and applications outside of listed parameters.  
Prices do not include applicable taxes.

# Lavatory Carriers

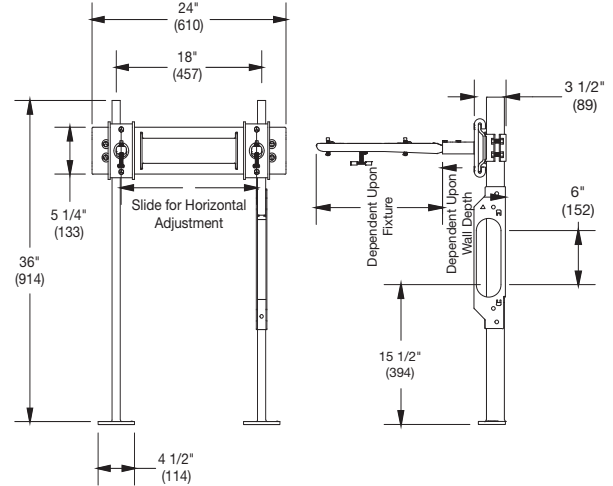
## TCA-411-WLA/WCA-411-WLA Lavatory Carrier with Waste Line Access

Model Number	EDP#	Wt., Lbs.	Description	List Price
TCA-411-WLA	8201171	35	Single, Concealed Arms w/Waste Line Access	\$2,500.00
TCA-411-D-WLA	8201172	60	Back to Back, Concealed Arms w/Waste Line Access	3,200.00
WCA-411-WLA	8201200	37	Single, Concealed Arms, 27 x 20 Lavatory w/Waste Line Access	2,100.00
WCA-411-D-WLA	8201201	64	Double, Concealed Arms, 27x20 Lavatory w/Waste Line Access	2,700.00



### Options for TCA-411-WLA

Suffix	Description	List Price
-CI	Arms for Cast Iron Lavatory	No Add
-M54	2" Chrome Plated Escutcheons, Single	\$220.50
	2" Chrome Plated Escutcheons, Double	439.00
-M55	4" Chrome Plated Escutcheons, Single	399.50
	4" Chrome Plated Escutcheons, Double	798.00
-M60	Valve Support Plate, Single	201.00
	Valve Support Plate Double	398.50



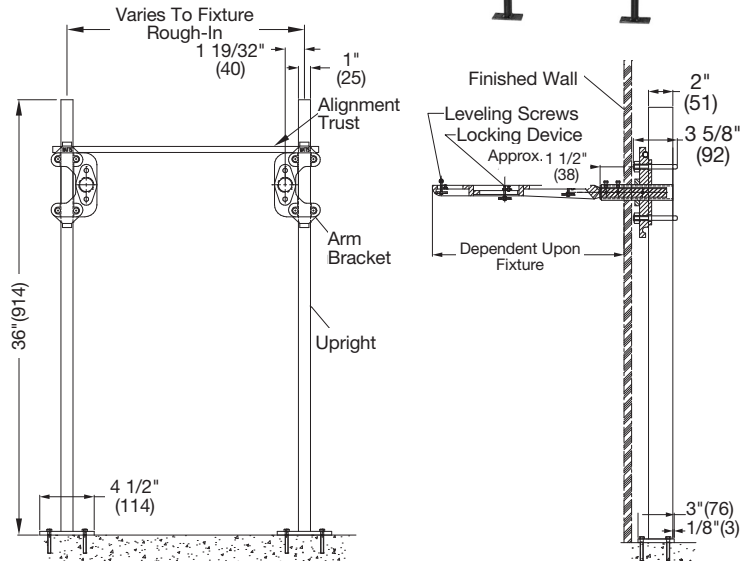
## WCA-411 Floor Mounted Lavatory Carrier w/Concealed Arms

Model Number	EDP#	Wt., Lbs.	Description	List Price
WCA-411	8133205	35	Single, Concealed Arms	\$1,321.00
WCA-411-D	8133213	60	Back to Back, Concealed Arms	1,881.00
WCA-411-WC	8133225	37	Single, Concealed Arms, 27 x 20 Lavatory	1,410.00
WCA-411-D-WC	8133212	64	Double, Concealed Arms, 27x20 Lavatory	2,058.00



### Options for WCA-411

Suffix	Description	List Price
-CI	Arms for Cast Iron Lavatory	No Add
-M54	2" Chrome Plated Escutcheons, Single	\$220.50
	2" Chrome Plated Escutcheons, Double	439.00
-M55	4" Chrome Plated Escutcheons, Single	339.50
	4" Chrome Plated Escutcheons, Double	798.00
-M60	Valve Support Plate, Single	201.00
	Valve Support Plate Double	398.50



Consult factory for all pricing and applications outside of listed parameters.

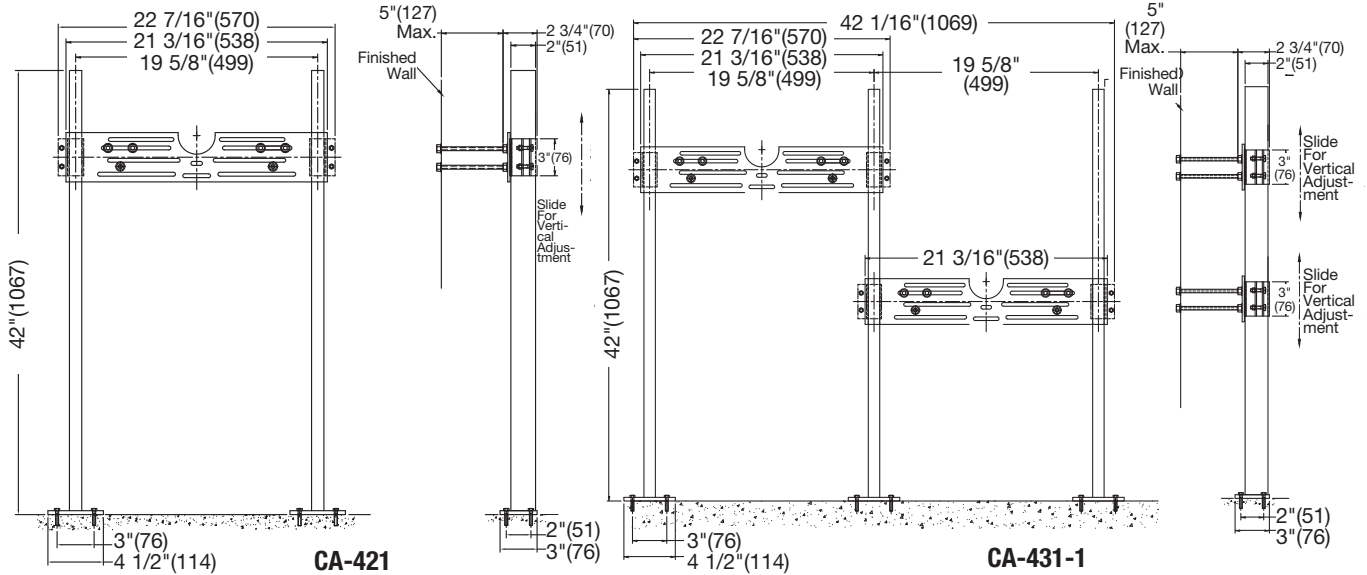
Prices do not include applicable taxes.



# Lavatory/Water Cooler Carriers

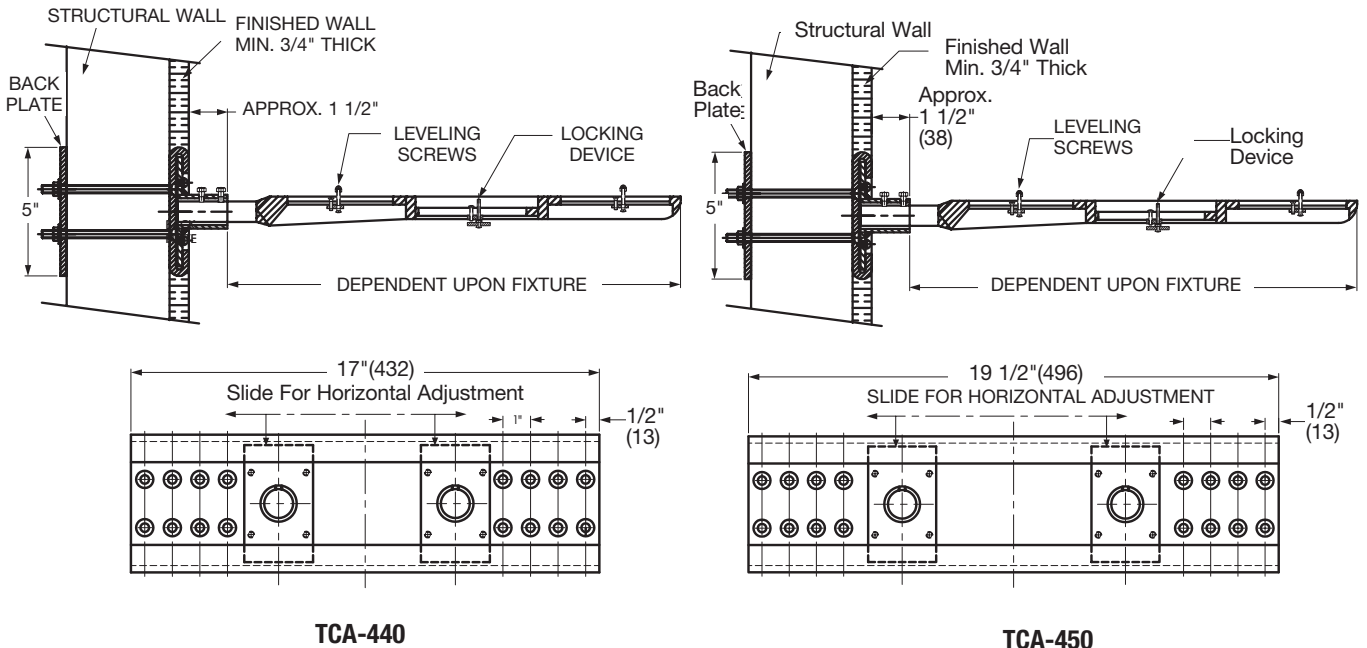
**CA-421** Floor Mounted Plate Type Lavatory/  
**CA-431-1** Water Cooler Carrier

Model Number	Wt., Lbs.	Description	List Price
CA-421	28	Plate Type for Lavatory/Water Cooler	\$1,004.00
CA-431-1	50	Plate Type for Hi-Low Water Cooler	1,620.00



**TCA-440** Wall Mounted "Track" Lavatory Carrier  
**TCA-450** with Concealed Arms

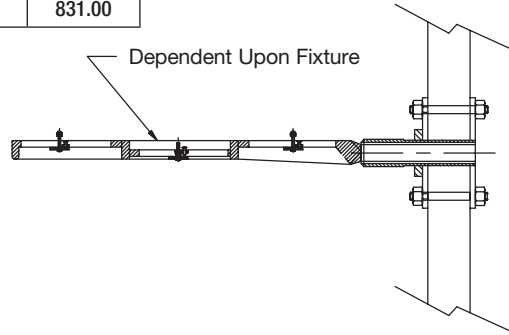
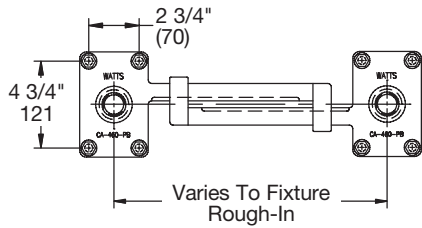
Model Number	EDP#	Wt., Lbs.	Description	List Price
TCA-440	8187152	28	Concealed Arms, Standard Lavatory	\$970.50
TCA-450	8187153	30	Concealed Arms, 27x20 Lavatory	1,023.00



# Lavatory/Service Sink Carriers

## CA-461 CA-462 Wall Mounted Concealed Arm Lavatory Carriers

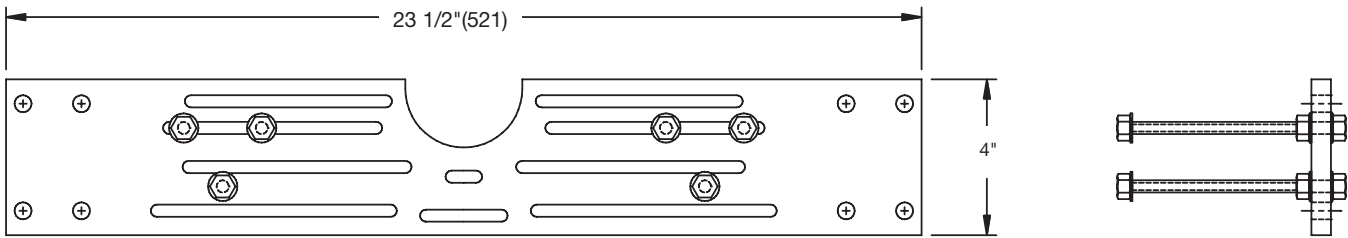
Model Number	EDP#	Wt., Lbs.	Description	List Price
CA-461	8133254	30	Concealed Arms with Back Plate	\$997.50
CA-462	8133260	24	Concealed Arms	831.00



Note: See CA-411 Options page 208.

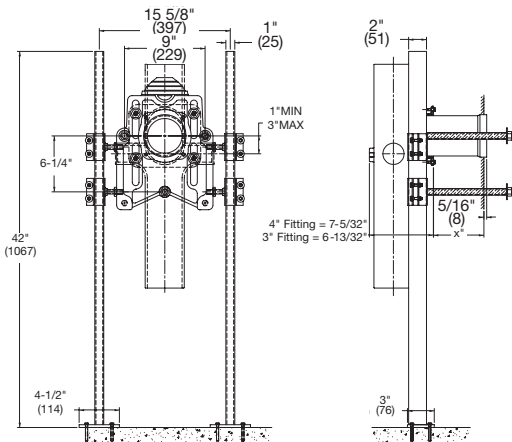
## CA-481 Wall Plate

Model Number	EDP#	Description	List Price
CA-481	8133262	Wall Plate with Studs	\$278.50

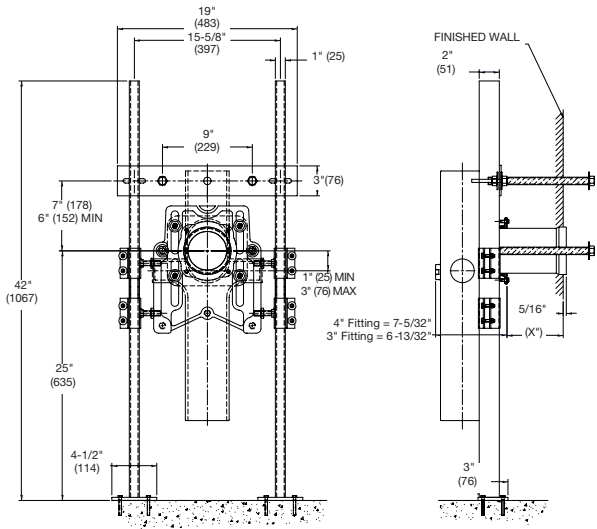


## ISCA-550, ISCA-560 Service Sink Carriers

Model Number	EDP#	Wt., Lbs.	Description	List Price
ISCA-550-3	8187116	60	3" Waste, 2" Vent	\$1,907.00
ISCA-550-4-V2	8187117	60	4" Waste, 2" Vent	1,907.00
ISCA-550-4-V4	8187118	60	4" Waste, 4" Vent	1,907.00
ISCA-560-3	8187119	60	3" Waste, 2" Vent	1,907.00
ISCA-560-4-V2	8187120	60	4" Waste, 2" Vent	1,907.00
ISCA-560-4-V4	8187121	60	4" Waste, 4" Vent	1,907.00



ISCA-550



ISCA-560

Consult factory for all pricing and applications outside of listed parameters.

Prices do not include applicable taxes.





# Notes

# Notes





Watts Drainage Solutions are engineered to deliver superior performance for commercial drainage designers, specifiers, and installers. Anchored by innovative designs and unique functionality, our Specification Drainage, Orion Chemical Waste, and BLÜCHER Stainless Steel drainage systems satisfy the most demanding industry requirements.

Watts Drainage offers a complete line of specification drainage products.

- Cleanouts
- Dead Level® Trench Drains
- Fixture Carriers
- Floor & Area Drains
- Green Roof Drains
- Hydrants
- Interceptors
- Parking Deck Drains
- Light Commercial
- Roof Drains
- Sanitary Floor Sinks
- Specialties

To locate your nearest Watts representative, please click on our *find a sales rep* locator on [watts.com](http://watts.com).

**Represented by:**

